



Power  
Defense™

Circuit Breaker  
Accessory

For PDG2  
Frame

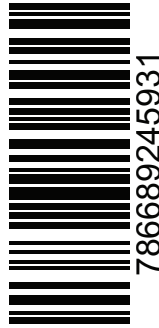
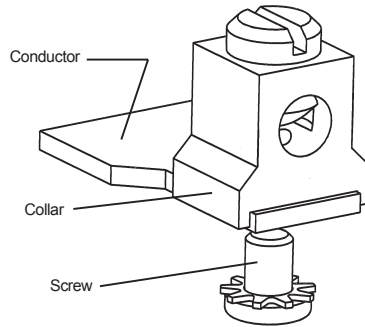
IL012236EN H04

PDG2 Tunnel Terminal (Aluminum) 50 amps, AWG 14-4,  
4 poles

Cat. No. PDG2X4TA50

Style No. 624B100G72

Quantity - 4



**Instructions For Assembly:**

- Insert Collar Over Conductor.
- Install Screw & Torque to 20 lb-in.



Power  
Defense™

Circuit Breaker  
Accessory

For PDG2  
Frame

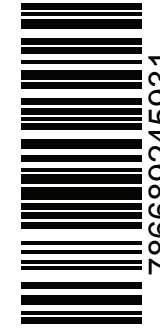
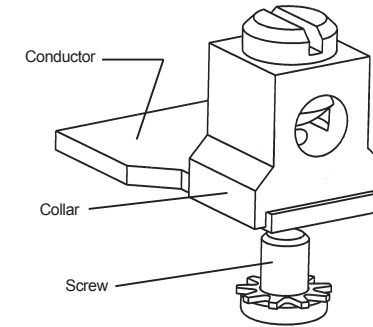
IL012236EN H04

PDG2 Tunnel Terminal (Aluminum) 50 amps, AWG 14-4,  
4 poles

Cat. No. PDG2X4TA50

Style No. 624B100G72

Quantity - 4



**Instructions For Assembly:**

- Insert Collar Over Conductor.
- Install Screw & Torque to 20 lb-in.

+



Power  
Defense™

Circuit Breaker  
Accessory

For PDG2  
Frame

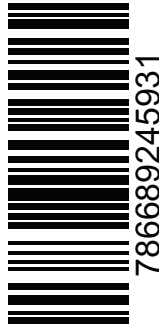
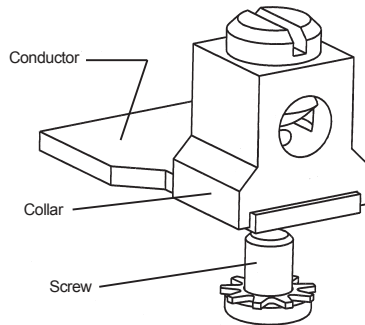
IL012236EN H04

PDG2 Tunnel Terminal (Aluminum) 50 amps, AWG 14-4,  
4 poles

Cat. No. PDG2X4TA50

Style No. 624B100G72

Quantity - 4



**Instructions For Assembly:**

- Insert Collar Over Conductor.
- Install Screw & Torque to 20 lb-in.



Power  
Defense™

Circuit Breaker  
Accessory

For PDG2  
Frame

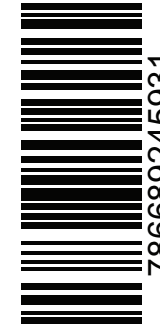
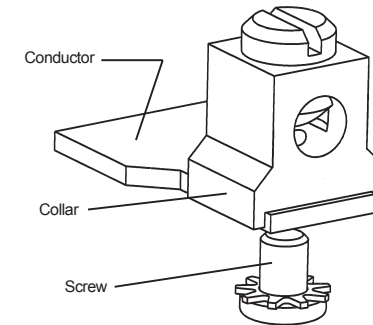
IL012236EN H04

PDG2 Tunnel Terminal (Aluminum) 50 amps, AWG 14-4,  
4 poles

Cat. No. PDG2X4TA50

Style No. 624B100G72

Quantity - 4



**Instructions For Assembly:**

- Insert Collar Over Conductor.
- Install Screw & Torque to 20 lb-in.