



**Power
Defense™**

**Circuit Breaker
Accessory**

**For PDG2
Frame**

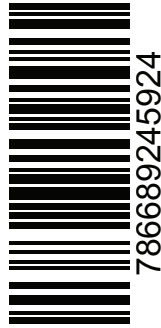
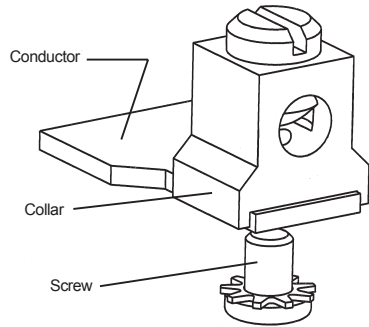
IL012236EN H03

**PDG2 Tunnel Terminal (Aluminum) 50 amps, AWG 14-4,
3 poles**

Cat. No. PDG2X3TA50

Style No. 624B100G71

Quantity - 3



Instructions For Assembly:

- Insert Collar Over Conductor.
- Install Screw & Torque to 20 lb-in.



**Power
Defense™**

**Circuit Breaker
Accessory**

**For PDG2
Frame**

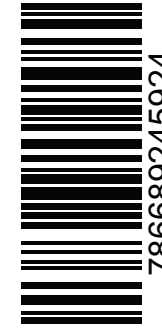
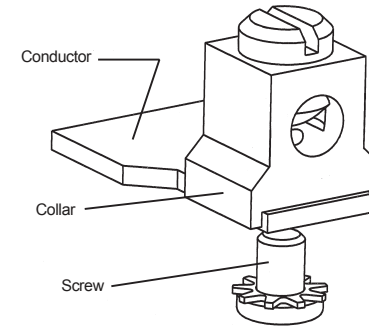
IL012236EN H03

**PDG2 Tunnel Terminal (Aluminum) 50 amps, AWG 14-4,
3 poles**

Cat. No. PDG2X3TA50

Style No. 624B100G71

Quantity - 3



Instructions For Assembly:

- Insert Collar Over Conductor.
- Install Screw & Torque to 20 lb-in.

+



**Power
Defense™**

**Circuit Breaker
Accessory**

**For PDG2
Frame**

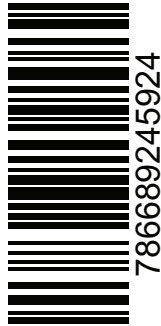
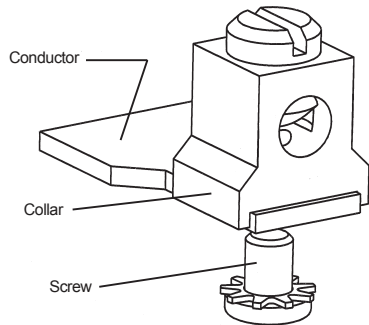
IL012236EN H03

**PDG2 Tunnel Terminal (Aluminum) 50 amps, AWG 14-4,
3 poles**

Cat. No. PDG2X3TA50

Style No. 624B100G71

Quantity - 3



Instructions For Assembly:

- Insert Collar Over Conductor.
- Install Screw & Torque to 20 lb-in.



**Power
Defense™**

**Circuit Breaker
Accessory**

**For PDG2
Frame**

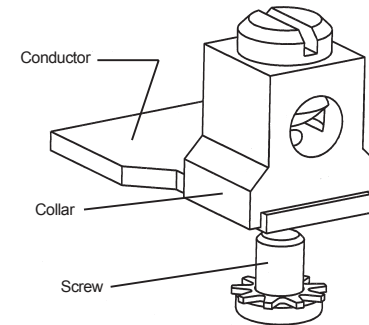
IL012236EN H03

**PDG2 Tunnel Terminal (Aluminum) 50 amps, AWG 14-4,
3 poles**

Cat. No. PDG2X3TA50

Style No. 624B100G71

Quantity - 3



Instructions For Assembly:

- Insert Collar Over Conductor.
- Install Screw & Torque to 20 lb-in.