



Power Defense™

Circuit Breaker Accessory

For PDG2 Frame

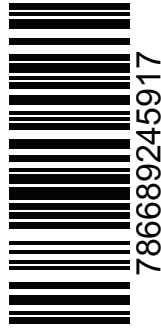
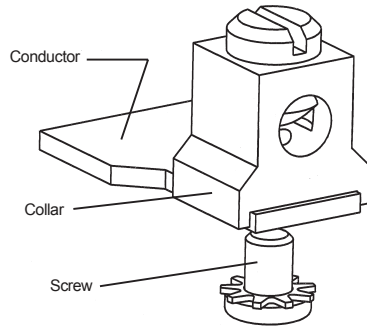
IL012236EN H02

PDG2 Tunnel Terminal (Aluminum) 50 amps, AWG 14-4, 2 poles

Cat. No. PDG2X2TA50

Style No. 624B100G70

Quantity - 2



Instructions For Assembly:

- Insert Collar Over Conductor.
- Install Screw & Torque to 20 lb-in.



Power Defense™

Circuit Breaker Accessory

For PDG2 Frame

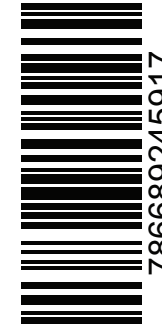
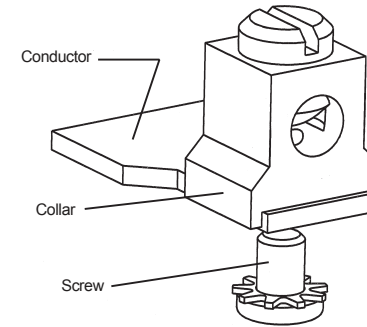
IL012236EN H02

PDG2 Tunnel Terminal (Aluminum) 50 amps, AWG 14-4, 2 poles

Cat. No. PDG2X2TA50

Style No. 624B100G70

Quantity - 2



Instructions For Assembly:

- Insert Collar Over Conductor.
- Install Screw & Torque to 20 lb-in.



Power Defense™

Circuit Breaker Accessory

For PDG2 Frame

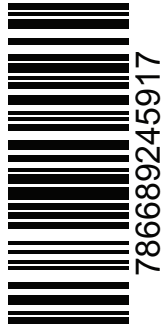
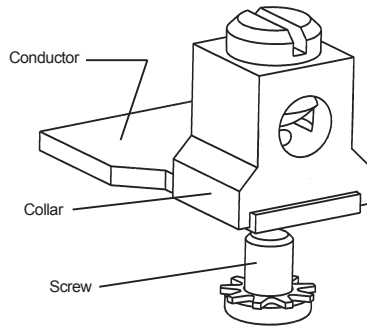
IL012236EN H02

PDG2 Tunnel Terminal (Aluminum) 50 amps, AWG 14-4, 2 poles

Cat. No. PDG2X2TA50

Style No. 624B100G70

Quantity - 2



Instructions For Assembly:

- Insert Collar Over Conductor.
- Install Screw & Torque to 20 lb-in.



Power Defense™

Circuit Breaker Accessory

For PDG2 Frame

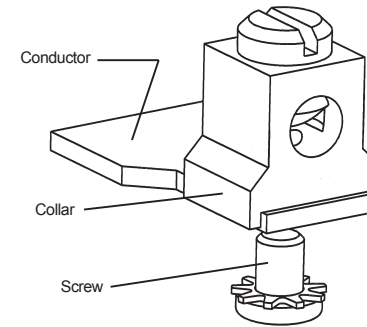
IL012236EN H02

PDG2 Tunnel Terminal (Aluminum) 50 amps, AWG 14-4, 2 poles

Cat. No. PDG2X2TA50

Style No. 624B100G70

Quantity - 2



Instructions For Assembly:

- Insert Collar Over Conductor.
- Install Screw & Torque to 20 lb-in.