



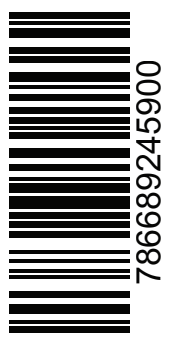
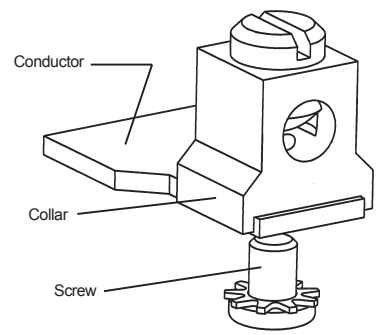
Power Defense™

Circuit Breaker Accessory

For PDG2 Frame

IL012236EN H01

PDG2 Tunnel Terminal (Aluminum) 50 amps, AWG 14-4, 1 pole
Cat. No. PDG2X1TA50
Style No. 624B100G69
Quantity - 1



Instructions For Assembly:
• Insert Collar Over Conductor.
• Install Screw & Torque to 20 lb-in.



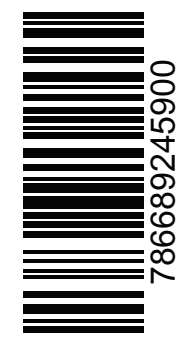
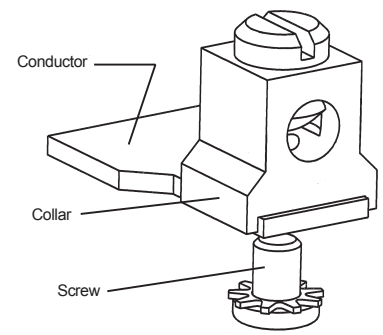
Power Defense™

Circuit Breaker Accessory

For PDG2 Frame

IL012236EN H01

PDG2 Tunnel Terminal (Aluminum) 50 amps, AWG 14-4, 1 pole
Cat. No. PDG2X1TA50
Style No. 624B100G69
Quantity - 1



Instructions For Assembly:
• Insert Collar Over Conductor.
• Install Screw & Torque to 20 lb-in.



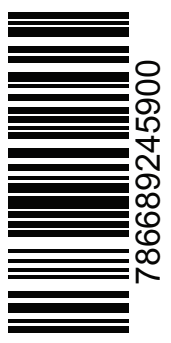
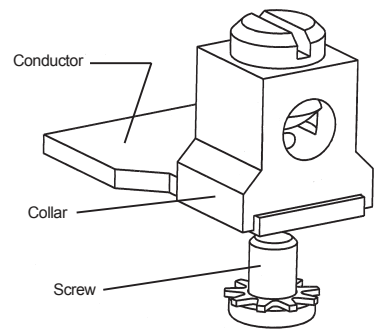
Power Defense™

Circuit Breaker Accessory

For PDG2 Frame

IL012236EN H01

PDG2 Tunnel Terminal (Aluminum) 50 amps, AWG 14-4, 1 pole
Cat. No. PDG2X1TA50
Style No. 624B100G69
Quantity - 1



Instructions For Assembly:
• Insert Collar Over Conductor.
• Install Screw & Torque to 20 lb-in.



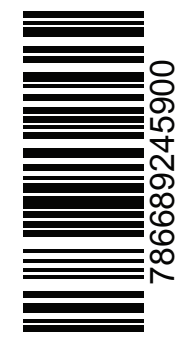
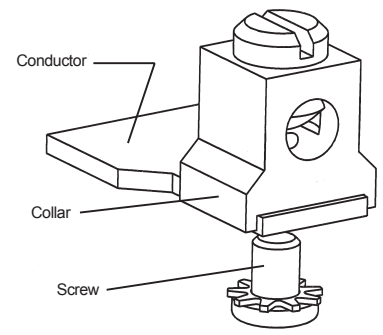
Power Defense™

Circuit Breaker Accessory

For PDG2 Frame

IL012236EN H01

PDG2 Tunnel Terminal (Aluminum) 50 amps, AWG 14-4, 1 pole
Cat. No. PDG2X1TA50
Style No. 624B100G69
Quantity - 1



Instructions For Assembly:
• Insert Collar Over Conductor.
• Install Screw & Torque to 20 lb-in.