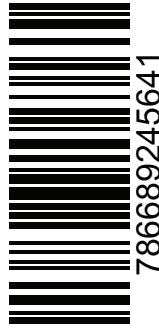
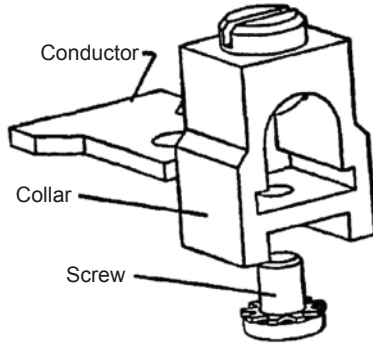


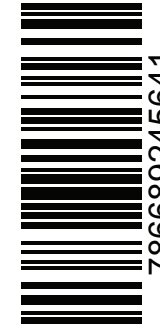
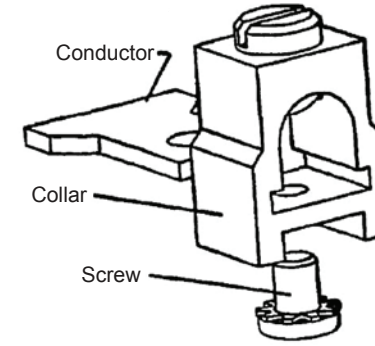
PDG2 Tunnel Terminal (Aluminum) 100 amps, AWG
14-1/0, 3 poles
Cat. No. PDG2X3TA100
Style No. 624B100G87
Quantity - 3



Instructions For Assembly:

- Insert Collar Around Conductor & Center Conductor Hole Over Collar Hole.
- Install Screw to Secure the Collar on the Conductor.
- **CAUTION:** Assemble As Shown. Collar Must Surround Conductor.

PDG2 Tunnel Terminal (Aluminum) 100 amps, AWG
14-1/0, 3 poles
Cat. No. PDG2X3TA100
Style No. 624B100G87
Quantity - 3

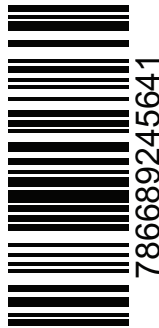
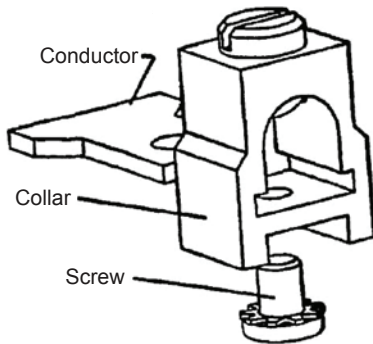


Instructions For Assembly:

- Insert Collar Around Conductor & Center Conductor Hole Over Collar Hole.
- Install Screw to Secure the Collar on the Conductor.
- **CAUTION:** Assemble As Shown. Collar Must Surround Conductor.



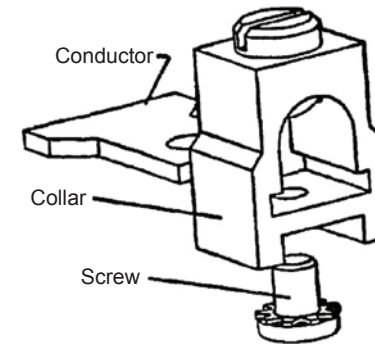
PDG2 Tunnel Terminal (Aluminum) 100 amps, AWG
14-1/0, 3 poles
Cat. No. PDG2X3TA100
Style No. 624B100G87
Quantity - 3



Instructions For Assembly:

- Insert Collar Around Conductor & Center Conductor Hole Over Collar Hole.
- Install Screw to Secure the Collar on the Conductor.
- **CAUTION:** Assemble As Shown. Collar Must Surround Conductor.

PDG2 Tunnel Terminal (Aluminum) 100 amps, AWG
14-1/0, 3 poles
Cat. No. PDG2X3TA100
Style No. 624B100G87
Quantity - 3



Instructions For Assembly:

- Insert Collar Around Conductor & Center Conductor Hole Over Collar Hole.
- Install Screw to Secure the Collar on the Conductor.
- **CAUTION:** Assemble As Shown. Collar Must Surround Conductor.