



**Power  
Defense™**

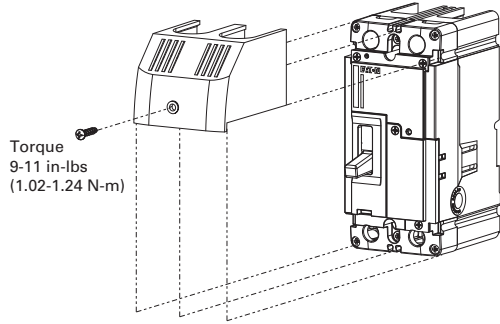
**For Frame Size  
2**

IL012330EN H01

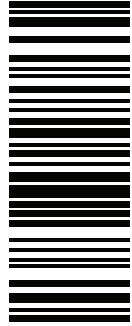
**Terminal Shield - 2-Pole Breaker**

Cat. Number - PDG2XTC2P

Quantity - 1 piece



Torque  
9-11 in-lbs  
(1.02-1.24 N-m)



786689261603



[www.eaton.com/recycling](http://www.eaton.com/recycling)



**Power  
Defense™**

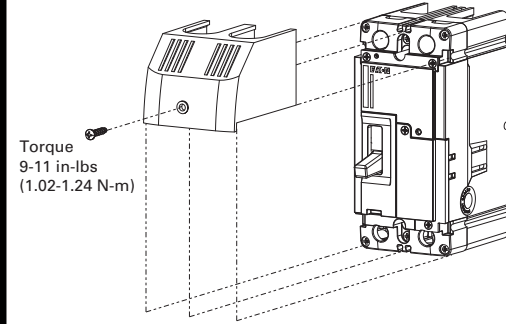
**For Frame Size  
2**

IL012330EN H01

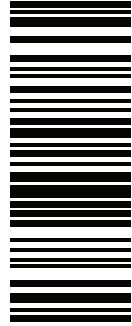
**Terminal Shield - 2-Pole Breaker**

Cat. Number - PDG2XTC2P

Quantity - 1 piece



Torque  
9-11 in-lbs  
(1.02-1.24 N-m)



786689261603



[www.eaton.com/recycling](http://www.eaton.com/recycling)



**Power  
Defense™**

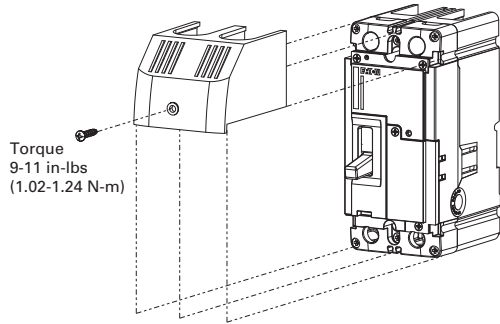
**For Frame Size  
2**

IL012330EN H01

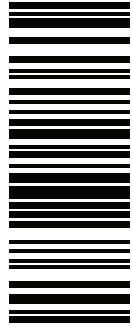
**Terminal Shield - 2-Pole Breaker**

Cat. Number - PDG2XTC2P

Quantity - 1 piece



Torque  
9-11 in-lbs  
(1.02-1.24 N-m)



786689261603



[www.eaton.com/recycling](http://www.eaton.com/recycling)



**Power  
Defense™**

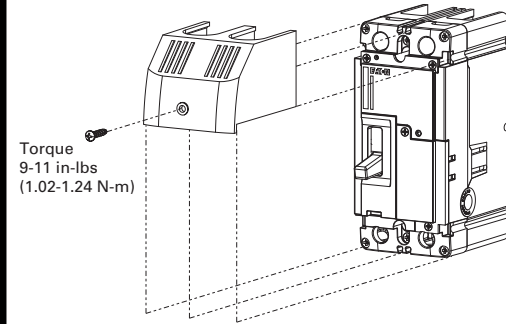
**For Frame Size  
2**

IL012330EN H01

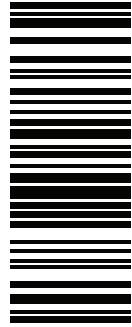
**Terminal Shield - 2-Pole Breaker**

Cat. Number - PDG2XTC2P

Quantity - 1 piece



Torque  
9-11 in-lbs  
(1.02-1.24 N-m)



786689261603



[www.eaton.com/recycling](http://www.eaton.com/recycling)