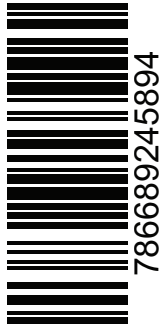
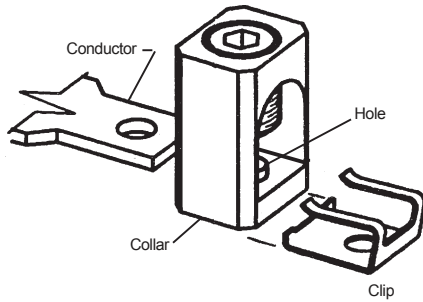


PDG2 Box Terminal (Aluminum) 225 amps, AWG 4-4/0,
4 poles

Cat. No. PDG2X4TA225

Style No. 624B100G92

Quantity - 4



Instructions For Assembly:

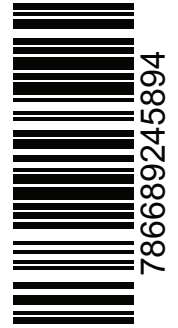
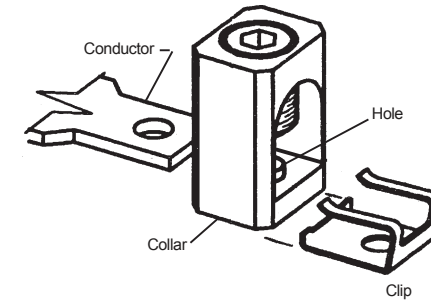
- Insert Collar Around Conductor & Center Conductor Hole Over Collar Hole.
- Install Clip with Legs on Top of Conductor & Snap Its End Around Bottom of Collar.
- **CAUTION:** Assemble As Shown. Collar Must Surround Conductor & Clip Legs Must Be On Top Of Conductor.

PDG2 Box Terminal (Aluminum) 225 amps, AWG 4-4/0,
4 poles

Cat. No. PDG2X4TA225

Style No. 624B100G92

Quantity - 4



Instructions For Assembly:

- Insert Collar Around Conductor & Center Conductor Hole Over Collar Hole.
- Install Clip with Legs on Top of Conductor & Snap Its End Around Bottom of Collar.
- **CAUTION:** Assemble As Shown. Collar Must Surround Conductor & Clip Legs Must Be On Top Of Conductor.

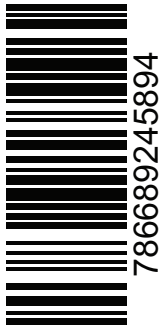
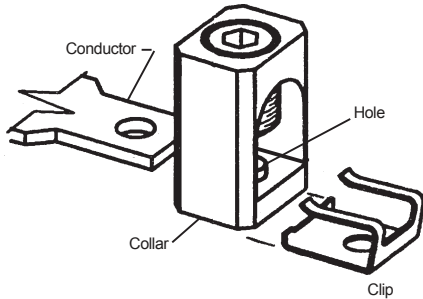
+

PDG2 Box Terminal (Aluminum) 225 amps, AWG 4-4/0,
4 poles

Cat. No. PDG2X4TA225

Style No. 624B100G92

Quantity - 4



Instructions For Assembly:

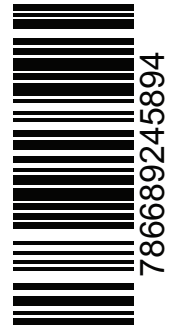
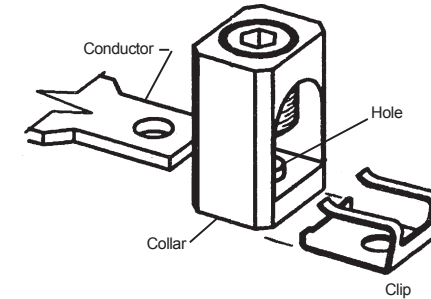
- Insert Collar Around Conductor & Center Conductor Hole Over Collar Hole.
- Install Clip with Legs on Top of Conductor & Snap Its End Around Bottom of Collar.
- **CAUTION:** Assemble As Shown. Collar Must Surround Conductor & Clip Legs Must Be On Top Of Conductor.

PDG2 Box Terminal (Aluminum) 225 amps, AWG 4-4/0,
4 poles

Cat. No. PDG2X4TA225

Style No. 624B100G92

Quantity - 4



Instructions For Assembly:

- Insert Collar Around Conductor & Center Conductor Hole Over Collar Hole.
- Install Clip with Legs on Top of Conductor & Snap Its End Around Bottom of Collar.
- **CAUTION:** Assemble As Shown. Collar Must Surround Conductor & Clip Legs Must Be On Top Of Conductor.