



Power Defense™

Circuit Breaker Accessory

For PDG2 Frame

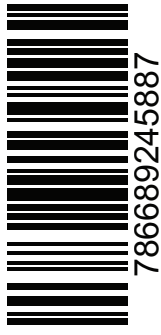
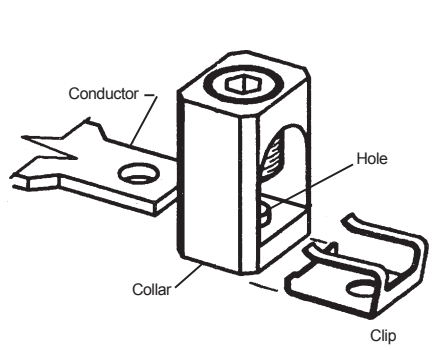
IL012235EN H03

PDG2 Box Terminal (Aluminum) 225 amps, AWG 4-4/0, 3 poles

Cat. No. PDG2X3TA225

Style No. 624B100G91

Quantity - 3



Instructions For Assembly:

- Insert Collar Around Conductor & Center Conductor Hole Over Collar Hole.
- Install Clip with Legs on Top of Conductor & Snap Its End Around Bottom of Collar.
- **CAUTION:** Assemble As Shown. Collar Must Surround Conductor & Clip Legs Must Be On Top Of Conductor.



Power Defense™

Circuit Breaker Accessory

For PDG2 Frame

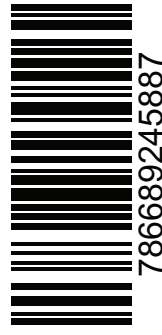
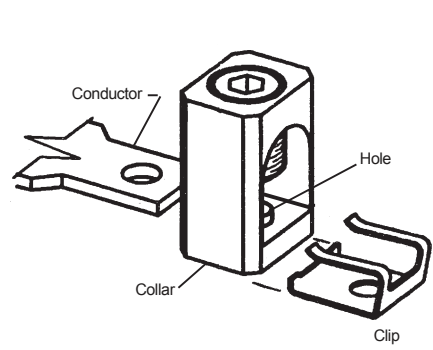
IL012235EN H03

PDG2 Box Terminal (Aluminum) 225 amps, AWG 4-4/0, 3 poles

Cat. No. PDG2X3TA225

Style No. 624B100G91

Quantity - 3



Instructions For Assembly:

- Insert Collar Around Conductor & Center Conductor Hole Over Collar Hole.
- Install Clip with Legs on Top of Conductor & Snap Its End Around Bottom of Collar.
- **CAUTION:** Assemble As Shown. Collar Must Surround Conductor & Clip Legs Must Be On Top Of Conductor.



Power Defense™

Circuit Breaker Accessory

For PDG2 Frame

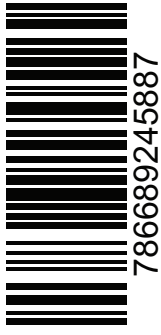
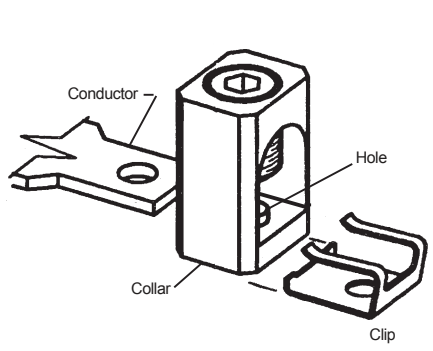
IL012235EN H03

PDG2 Box Terminal (Aluminum) 225 amps, AWG 4-4/0, 3 poles

Cat. No. PDG2X3TA225

Style No. 624B100G91

Quantity - 3



Instructions For Assembly:

- Insert Collar Around Conductor & Center Conductor Hole Over Collar Hole.
- Install Clip with Legs on Top of Conductor & Snap Its End Around Bottom of Collar.
- **CAUTION:** Assemble As Shown. Collar Must Surround Conductor & Clip Legs Must Be On Top Of Conductor.



Power Defense™

Circuit Breaker Accessory

For PDG2 Frame

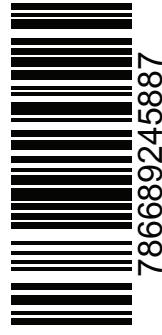
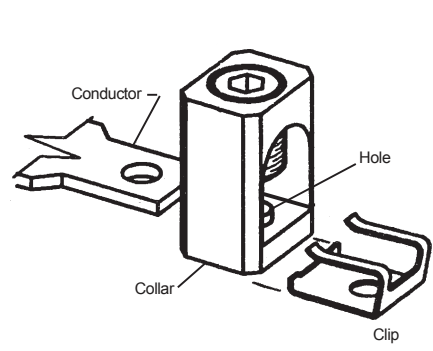
IL012235EN H03

PDG2 Box Terminal (Aluminum) 225 amps, AWG 4-4/0, 3 poles

Cat. No. PDG2X3TA225

Style No. 624B100G91

Quantity - 3



Instructions For Assembly:

- Insert Collar Around Conductor & Center Conductor Hole Over Collar Hole.
- Install Clip with Legs on Top of Conductor & Snap Its End Around Bottom of Collar.
- **CAUTION:** Assemble As Shown. Collar Must Surround Conductor & Clip Legs Must Be On Top Of Conductor.