



**Power Defense™**

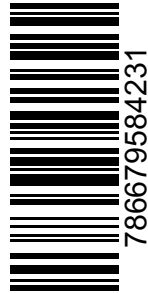
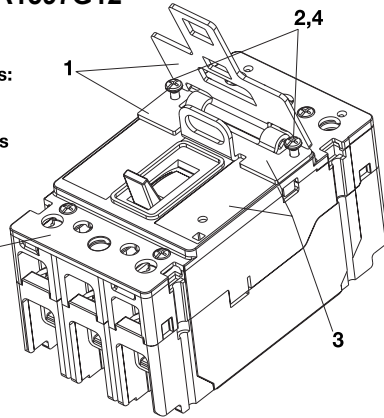
Circuit Breaker  
Accessory

For PDG1  
Frame

**PDG1 Padlockable Handle Lock Hasp**  
Cat. No. PDG1XPLKT  
Style No. 66A1597G12  
Quantity - 1

Package contents:  
1 Hasplock Plate  
1 Hasplock Base  
2 Machine Screws

Secondary  
Cover



- 1) Assemble the Hasplock Plate to the Hasplock Base.
- 2) Remove (2) Secondary Cover Screws.
- 3) Align Hasplock assembly with the holes on Secondary Cover.
- 4) Pivot Hasplock Plate up. Replace (2) Secondary Cover Screws with (2) Machine Screws (provided). Torque them to 6 – 8 Lb-In.

IL012225EN H01



**Power Defense™**

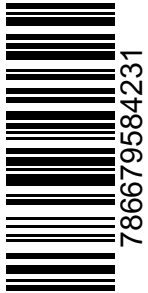
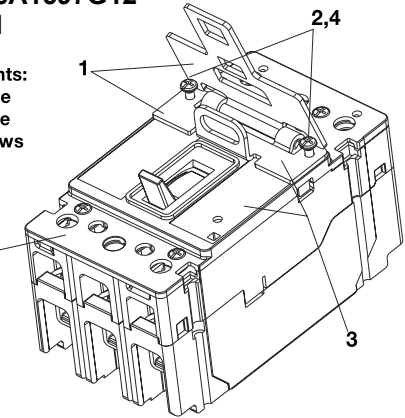
Circuit Breaker  
Accessory

For PDG1  
Frame

**PDG1 Padlockable Handle Lock Hasp**  
Cat. No. PDG1XPLKT  
Style No. 66A1597G12  
Quantity - 1

Package contents:  
1 Hasplock Plate  
1 Hasplock Base  
2 Machine Screws

Secondary  
Cover



- 1) Assemble the Hasplock Plate to the Hasplock Base.
- 2) Remove (2) Secondary Cover Screws.
- 3) Align Hasplock assembly with the holes on Secondary Cover.
- 4) Pivot Hasplock Plate up. Replace (2) Secondary Cover Screws with (2) Machine Screws (provided). Torque them to 6 – 8 Lb-In.

IL012225EN H01



**Power Defense™**

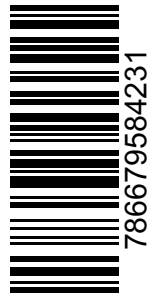
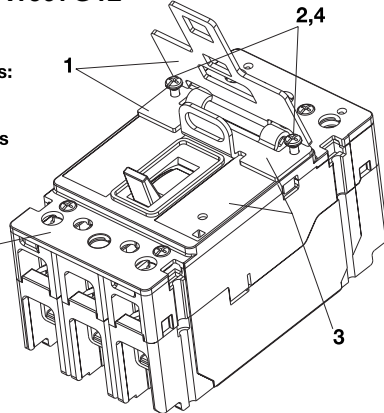
Circuit Breaker  
Accessory

For PDG1  
Frame

**PDG1 Padlockable Handle Lock Hasp**  
Cat. No. PDG1XPLKT  
Style No. 66A1597G12  
Quantity - 1

Package contents:  
1 Hasplock Plate  
1 Hasplock Base  
2 Machine Screws

Secondary  
Cover



- 1) Assemble the Hasplock Plate to the Hasplock Base.
- 2) Remove (2) Secondary Cover Screws.
- 3) Align Hasplock assembly with the holes on Secondary Cover.
- 4) Pivot Hasplock Plate up. Replace (2) Secondary Cover Screws with (2) Machine Screws (provided). Torque them to 6 – 8 Lb-In.

IL012225EN H01



**Power Defense™**

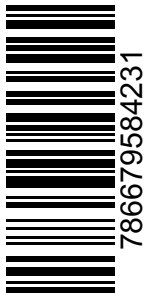
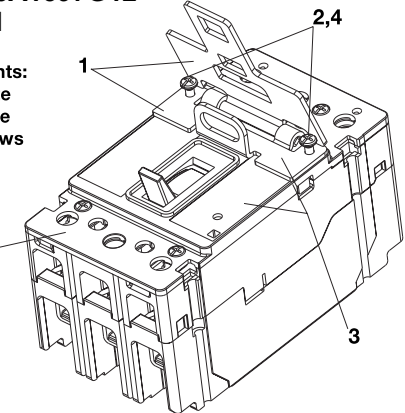
Circuit Breaker  
Accessory

For PDG1  
Frame

**PDG1 Padlockable Handle Lock Hasp**  
Cat. No. PDG1XPLKT  
Style No. 66A1597G12  
Quantity - 1

Package contents:  
1 Hasplock Plate  
1 Hasplock Base  
2 Machine Screws

Secondary  
Cover



- 1) Assemble the Hasplock Plate to the Hasplock Base.
- 2) Remove (2) Secondary Cover Screws.
- 3) Align Hasplock assembly with the holes on Secondary Cover.
- 4) Pivot Hasplock Plate up. Replace (2) Secondary Cover Screws with (2) Machine Screws (provided). Torque them to 6 – 8 Lb-In.

IL012225EN H01