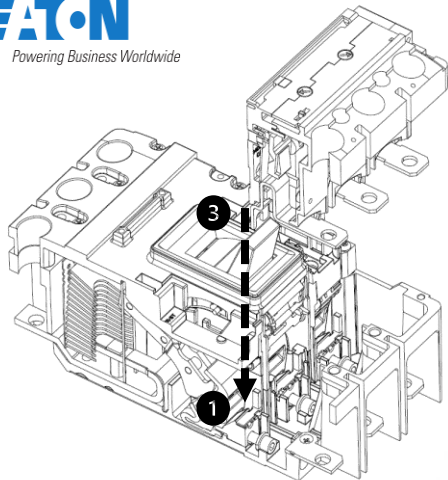
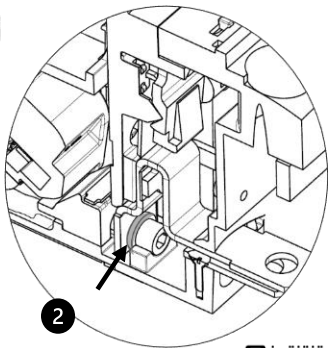




Powering Business Worldwide



## WARNING



### INSTRUCTIONS WHEN INSTALLING A TRIP UNIT:

1. Loosen the mounting screw previously installed in the frame
2. The washer should be located close to screw head
3. Install the trip unit and make sure the washer is behind the trip unit connector.



Installation video