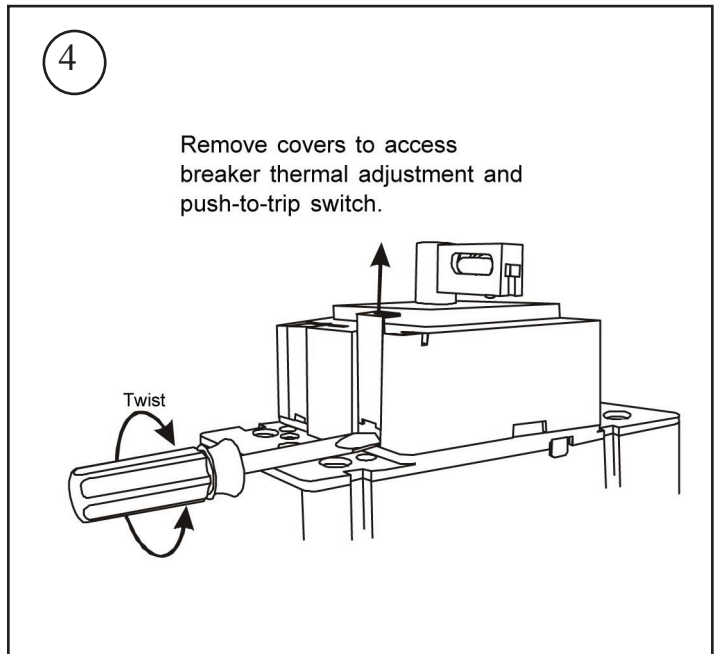
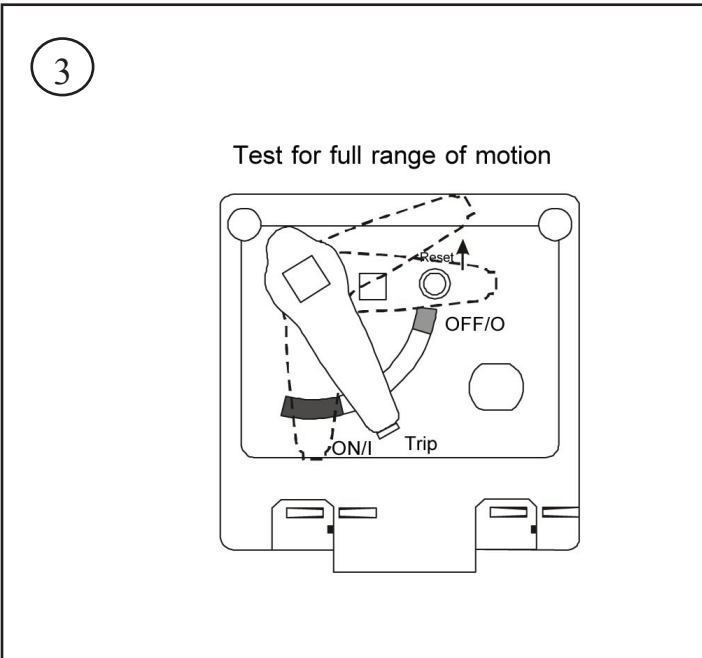
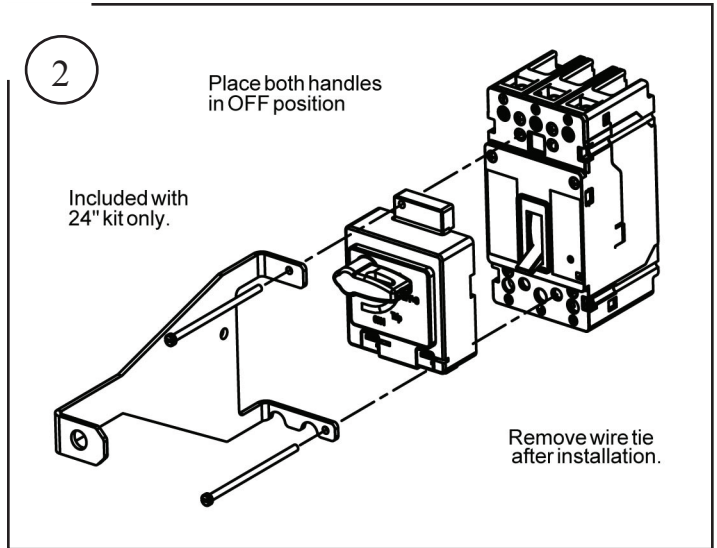
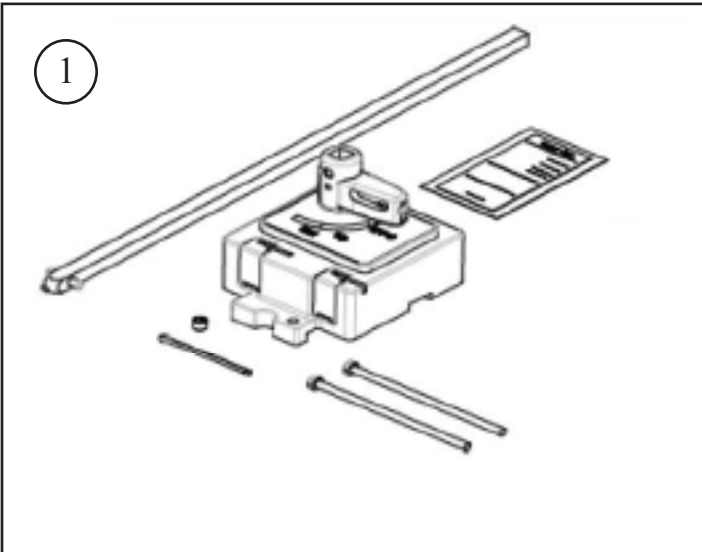
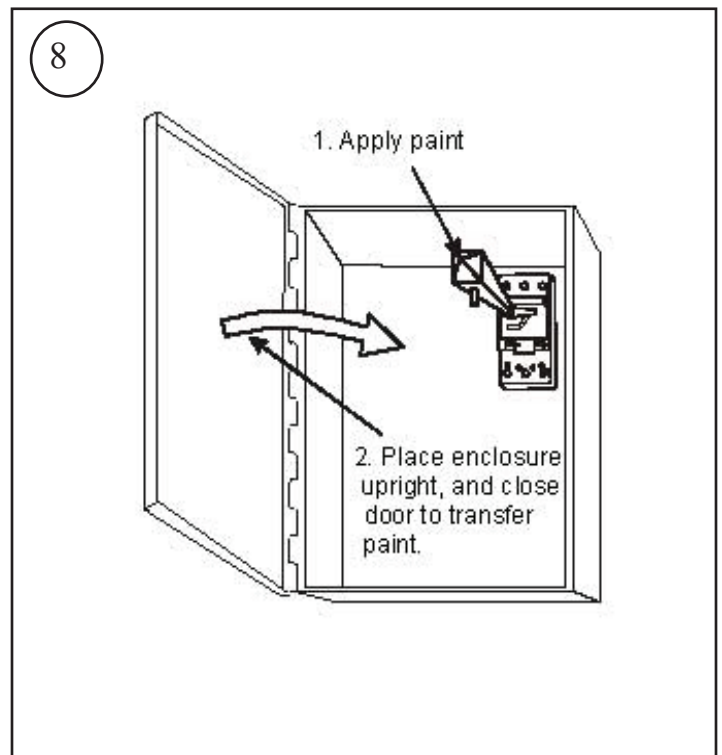
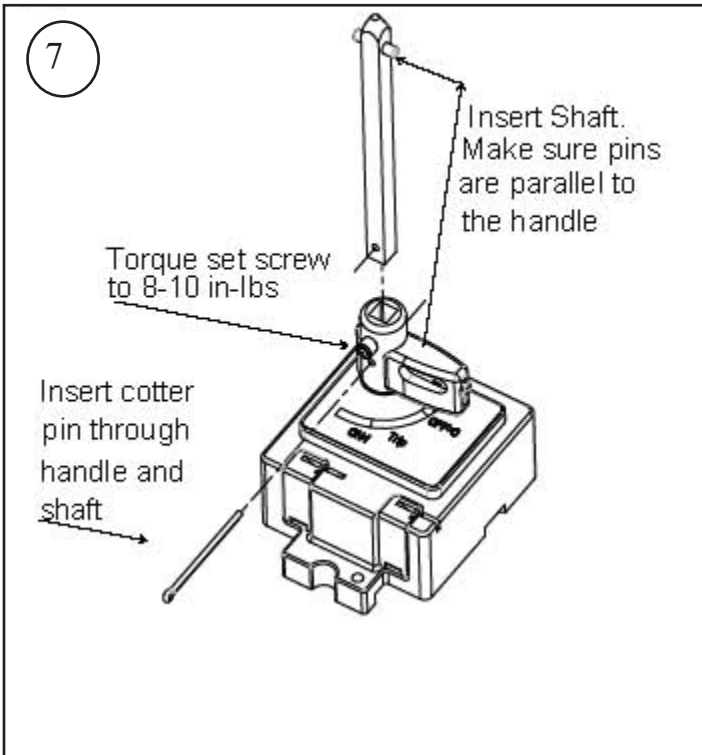
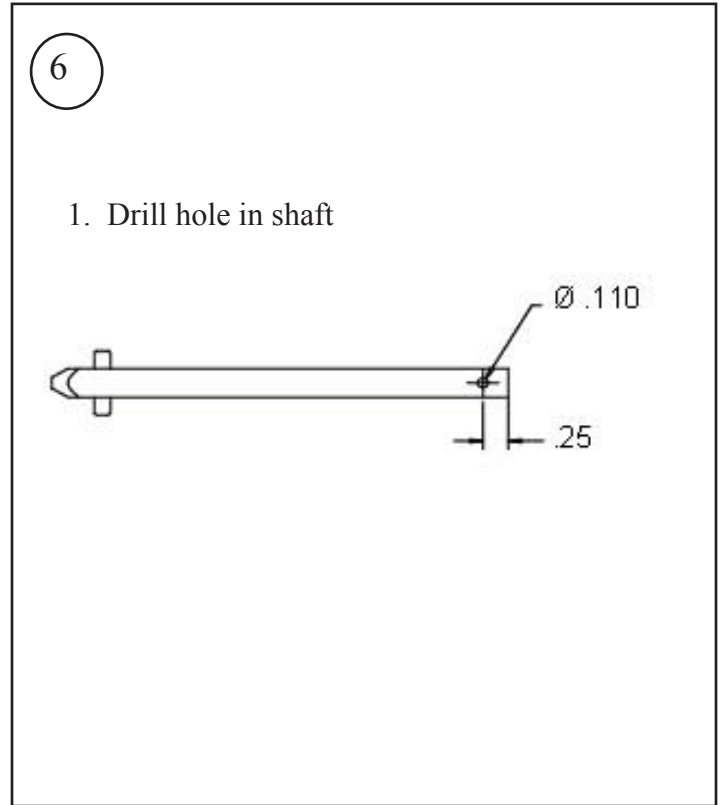
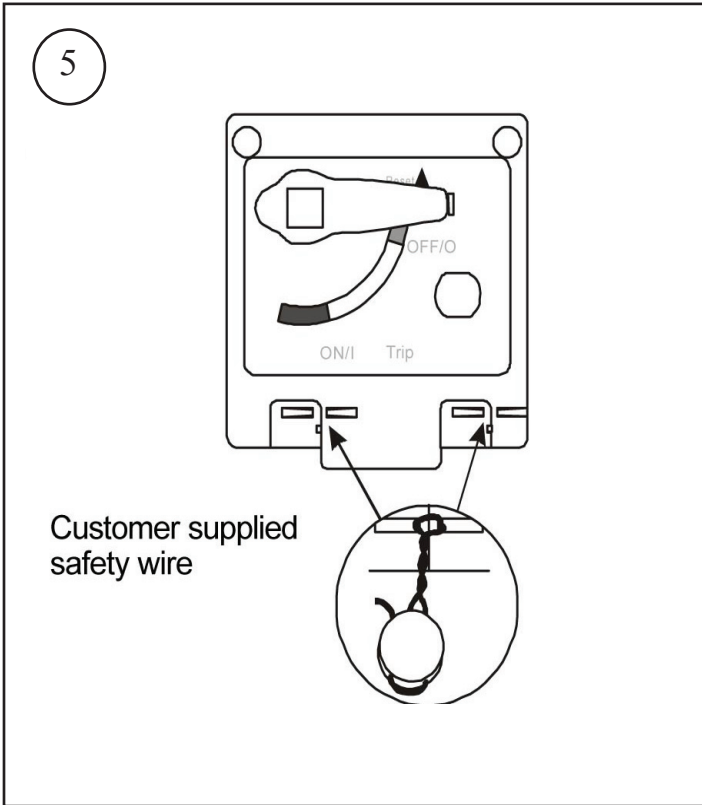


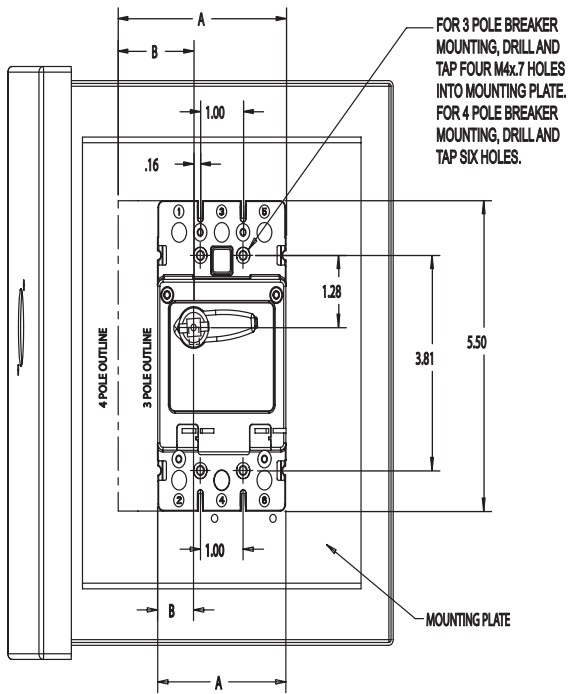
E-Frame Circuit Breaker Instruction Leaflet for Variable Depth Rotary Handle Mechanism



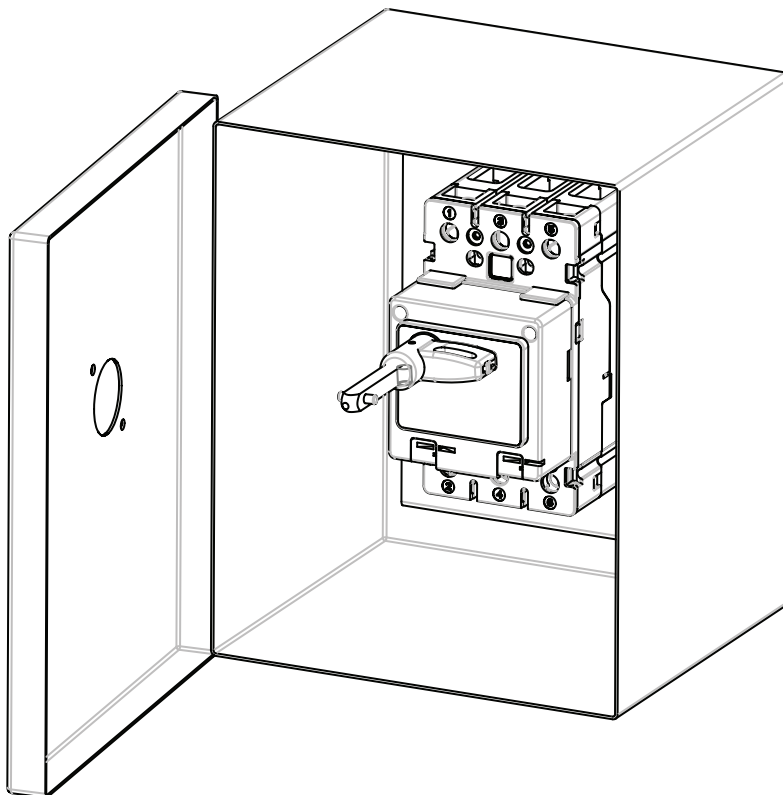
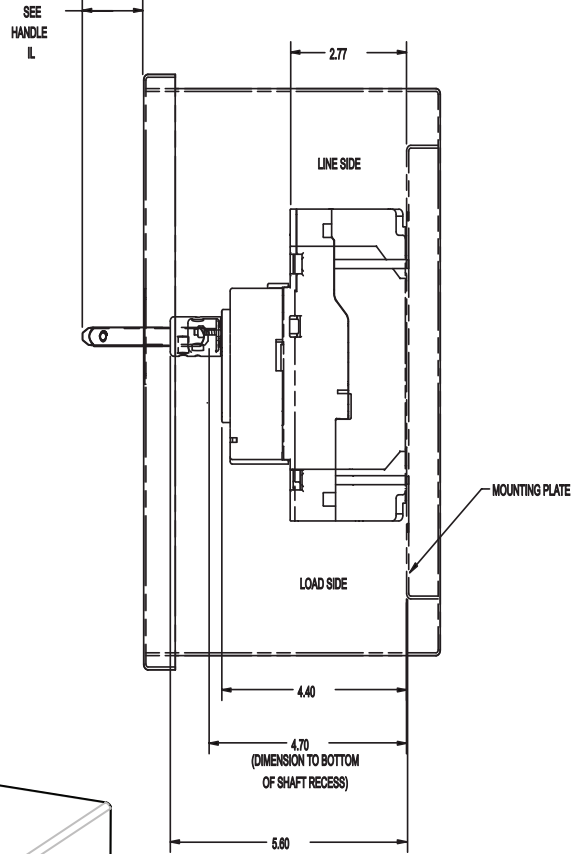
DO NOT ATTEMPT TO INSTALL OR PERFORM MAINTENANCE ON EQUIPMENT WHILE IT IS ENERGIZED. DEATH OR SEVERE INJURY CAN RESULT FROM CONTACT WITH ENERGIZED EQUIPMENT. ALWAYS VERIFY THAT NO VOLTAGE IS PRESENT BEFORE PROCEEDING.







BREAKER	"A"	"B"
3 POLE	3.00	.85
4 POLE	4.00	1.85



NOTES

Eaton Corporation
1000 Cherrington Parkway
Moon Township, PA 15108-4312
United States of America
1-800-525-2000
www.eaton.com

Cutler-Hammer is a federally
registered trademark of
Eaton Corporation

©2008 Eaton Corporation
All Rights Reserved
Printed in USA
Publication No. IL01219075EH01
Effective June 2009