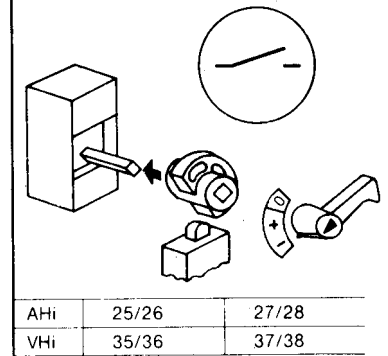
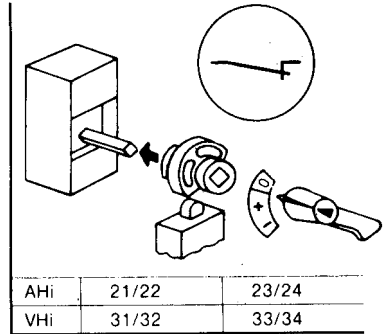
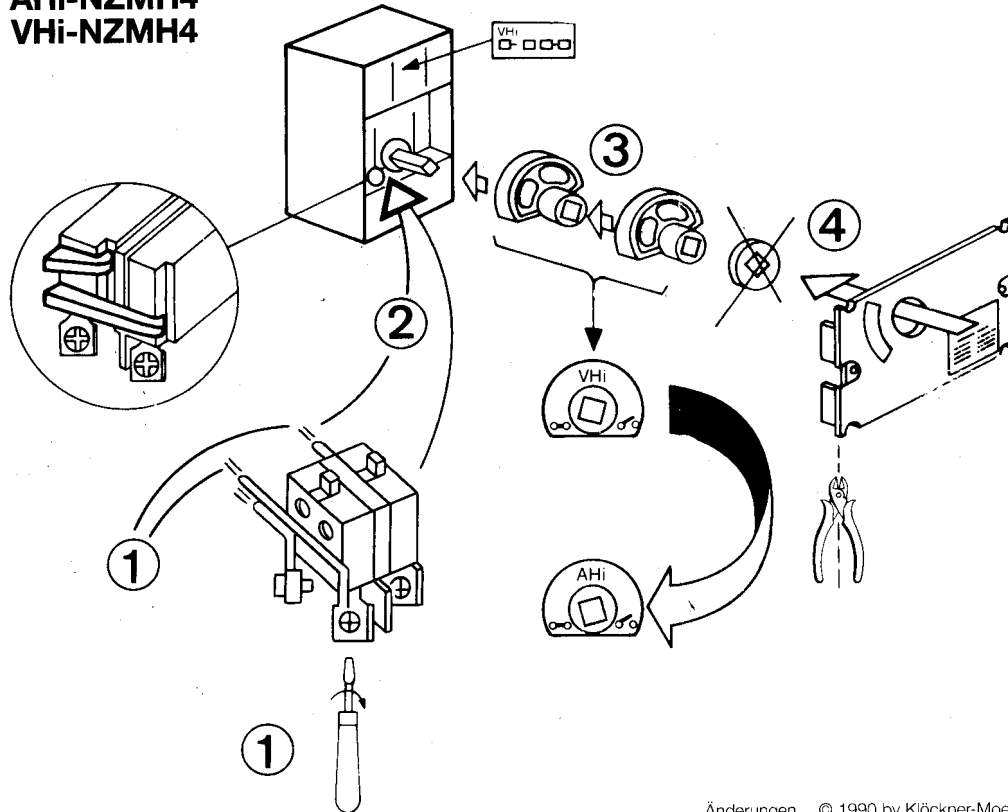


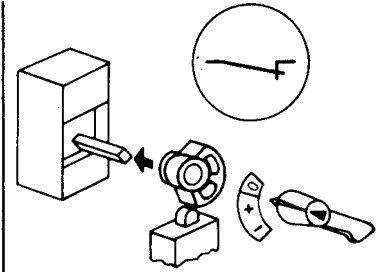
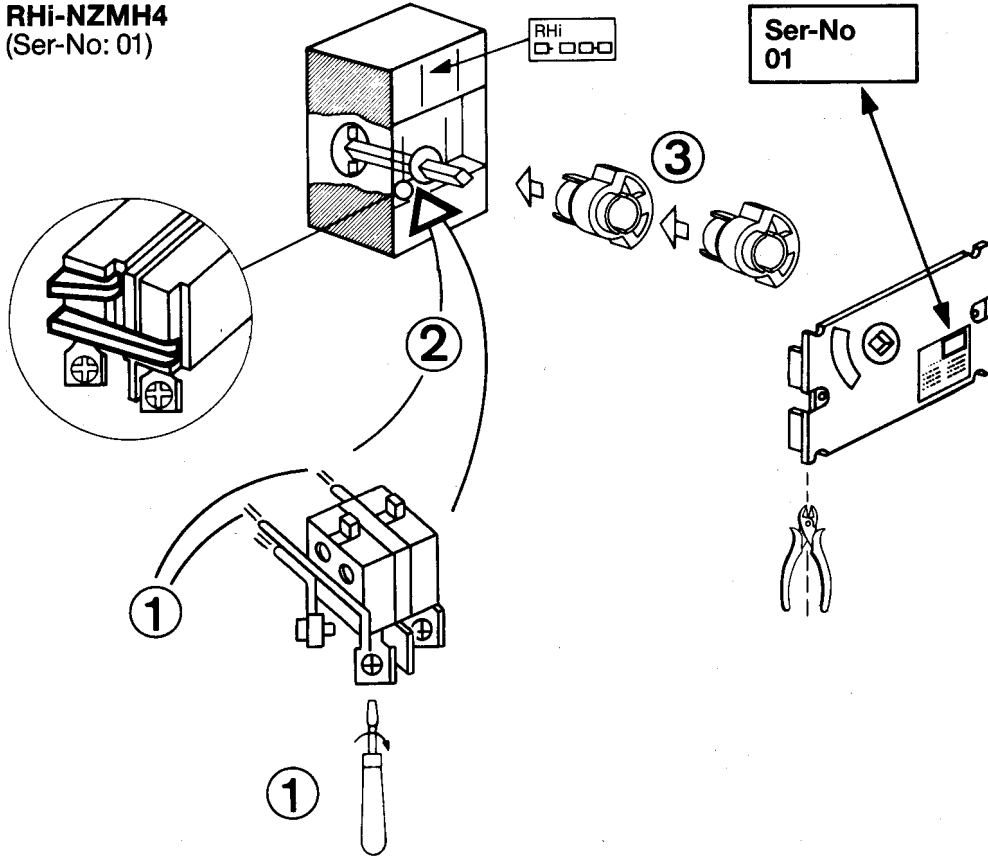


AHi-NZMH4
VHi-NZMH4

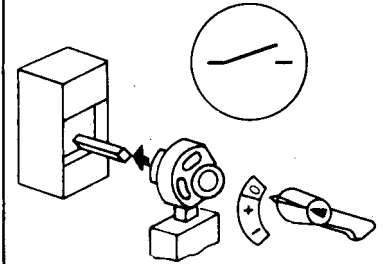
9/87 AWA 123-478



RHi-NZMH4
(Ser-No: 01)



RHi	41/42	43/44
-----	-------	-------



RHi	45/46	47/48
-----	-------	-------