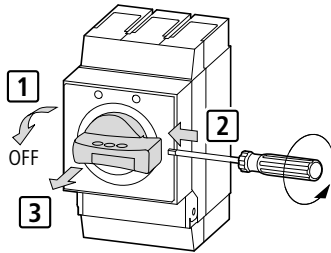


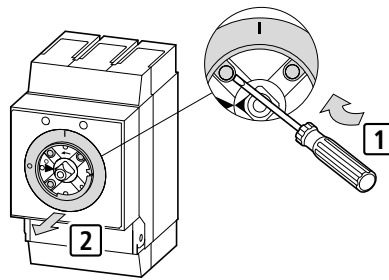
**NZM1-XMV
NZM2-XMV**

**NZM3-XMV
NZM4-XMV**

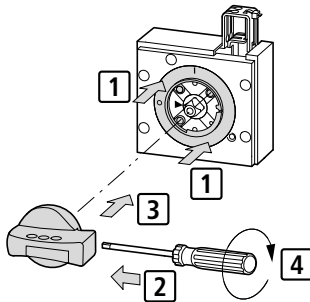
1a NZM...-XD(V)(R)



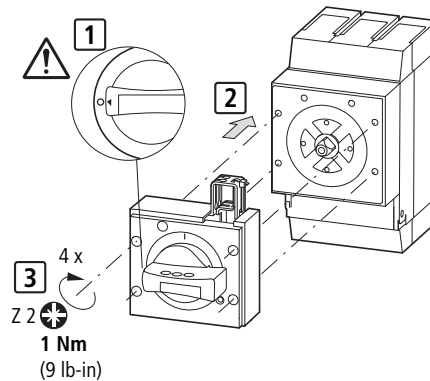
2a



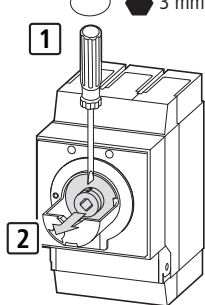
3a



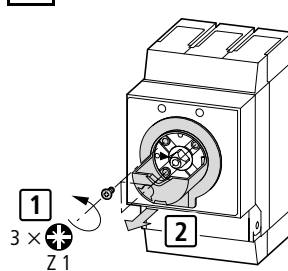
4a



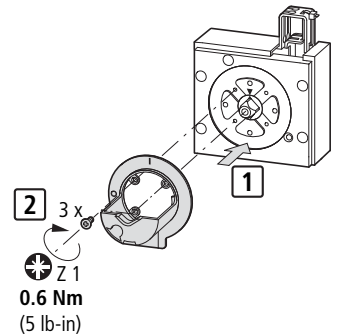
1b NZM...-XT(V)D(V)(R)



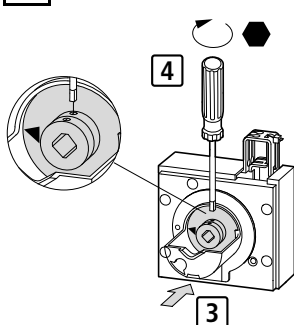
2b



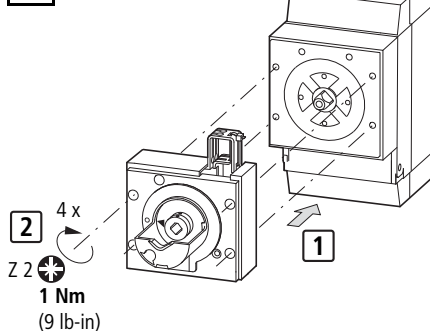
3b



4b



5b



⚡ (en) Electric current! Danger to life!

Only skilled or instructed persons may carry out the following operations.

(de) Lebensgefahr durch elektrischen Strom!

Nur Elektrofachkräfte und elektrotechnisch unterwiesene Personen dürfen die im Folgenden beschriebenen Arbeiten ausführen.

(fr) Tension électrique dangereuse !

Seules les personnes qualifiées et averties doivent exécuter les travaux ci-après.

(es) ¡Corriente eléctrica! ¡Peligro de muerte!

El trabajo a continuación descrito debe ser realizado por personas cualificadas y advertidas.

(it) Tensione elettrica: Pericolo di morte!

Solo persone abilitate e qualificate possono eseguire le operazioni di seguito riportate.

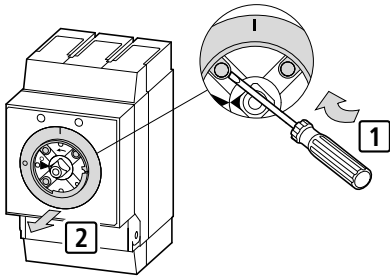
(zh) 触电危险!

只允许专业人员和受过专业训练的人员进行下列工作。

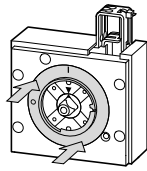
(ru) Электрический ток! Опасно для жизни!

Только специалисты или проинструктированные лица могут выполнять следующие операции.

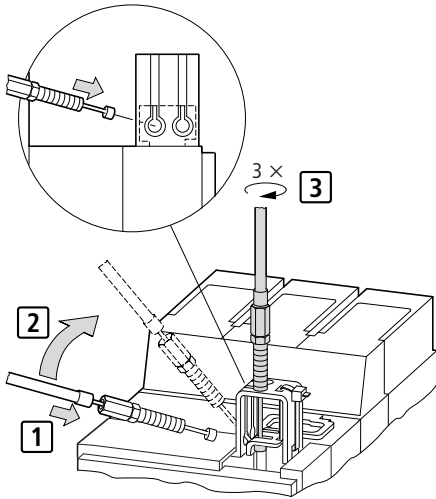
2c NZM...-XT(V)D(V)(R)-(60)(0)



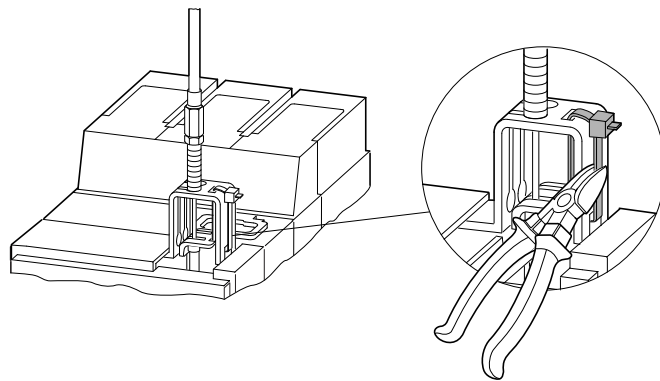
3c



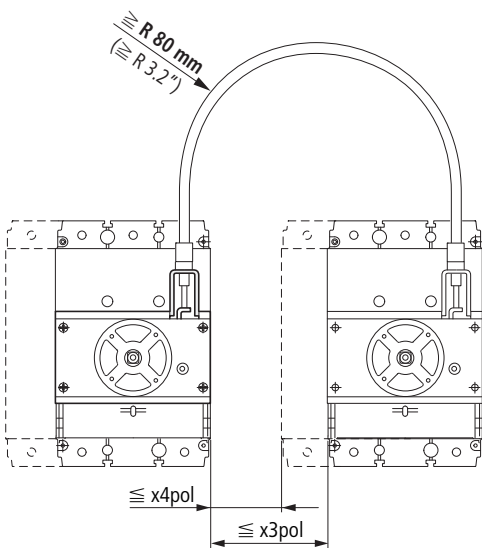
1 NZM...-XMV



2



- 3**
- en Maximum switch distance [mm]
 - de Maximaler Schalterabstand [mm]
 - fr Distance maximale entre disjoncteurs [mm]
 - es Distancia máxima de los interruptores [mm]
 - it Massima distanza degli interruttori [mm]
 - zh 最大开关间距 [mm]
 - ru Макс. расстояние между защитными автоматами [mm]



NZM-XBZ225

		NZM1		NZM2		NZM3		NZM4	
		x3pol	x4pol	x3pol	x4pol	x3pol	x4pol	x3pol	x4pol
NZM1	3/4 pol	135	105	120	85	135	90	125	80
NZM2	3/4 pol	135	105	120	85	135	90	125	80
NZM3	3/4 pol	90	75	75	35	85	40	80	45
NZM4	3/4 pol	50	35	40	15	25	-	15	-

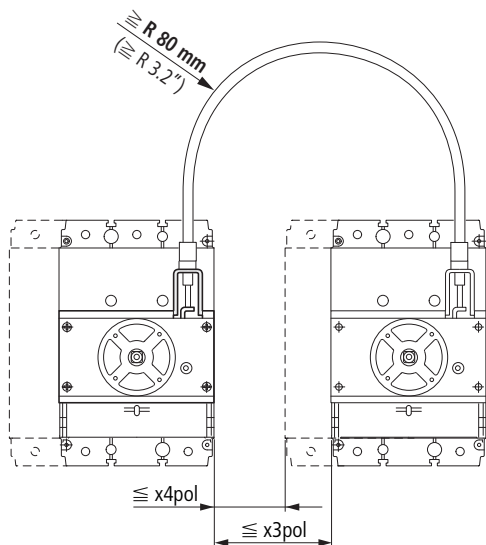
NZM-XBZ600

		NZM1		NZM2		NZM3		NZM4	
		x3pol	x4pol	x3pol	x4pol	x3pol	x4pol	x3pol	x4pol
NZM1	3/4 pol	510	480	495	460	510	465	475	405
NZM2	3/4 pol	510	480	495	460	510	465	475	405
NZM3	3/4 pol	460	430	450	410	460	415	460	390
NZM4	3/4 pol	400	370	380	340	400	375	390	320

NZM-XBZ1000

		NZM1		NZM2		NZM3		NZM4	
		x3pol	x4pol	x3pol	x4pol	x3pol	x4pol	x3pol	x4pol
NZM1	3/4 pol	910	880	895	860	910	865	865	795
NZM2	3/4 pol	910	880	895	860	910	865	865	795
NZM3	3/4 pol	820	790	850	810	860	815	860	790
NZM4	3/4 pol	750	720	730	700	800	775	790	720

- 3**
- en Maximum switch distance [inch]
 - de Maximaler Schalterabstand [inch]
 - fr Distance maximale entre disjoncteurs [inch]
 - es Distancia máxima de los interruptores [inch]
 - it Massima distanza degli interruttori [inch]
 - zh 最大开关间距 [inch]
 - ru Макс. расстояние между защитными автоматами [inch]



NZM-XBZ225

		NZM1		NZM2		NZM3		NZM4	
		x3pol	x4pol	x3pol	x4pol	x3pol	x4pol	x3pol	x4pol
NZM1	3/4 pol	5.3	4.1	4.7	3.3	5.3	3.5	4.9	3.2
NZM2	3/4 pol	5.3	4.1	4.7	3.3	5.3	3.5	4.9	3.2
NZM3	3/4 pol	3.5	3.0	3.0	1.4	3.3	1.6	3.2	1.8
NZM4	3/4 pol	2.0	1.4	1.6	0.6	1.0	–	0.6	–

NZM-XBZ600

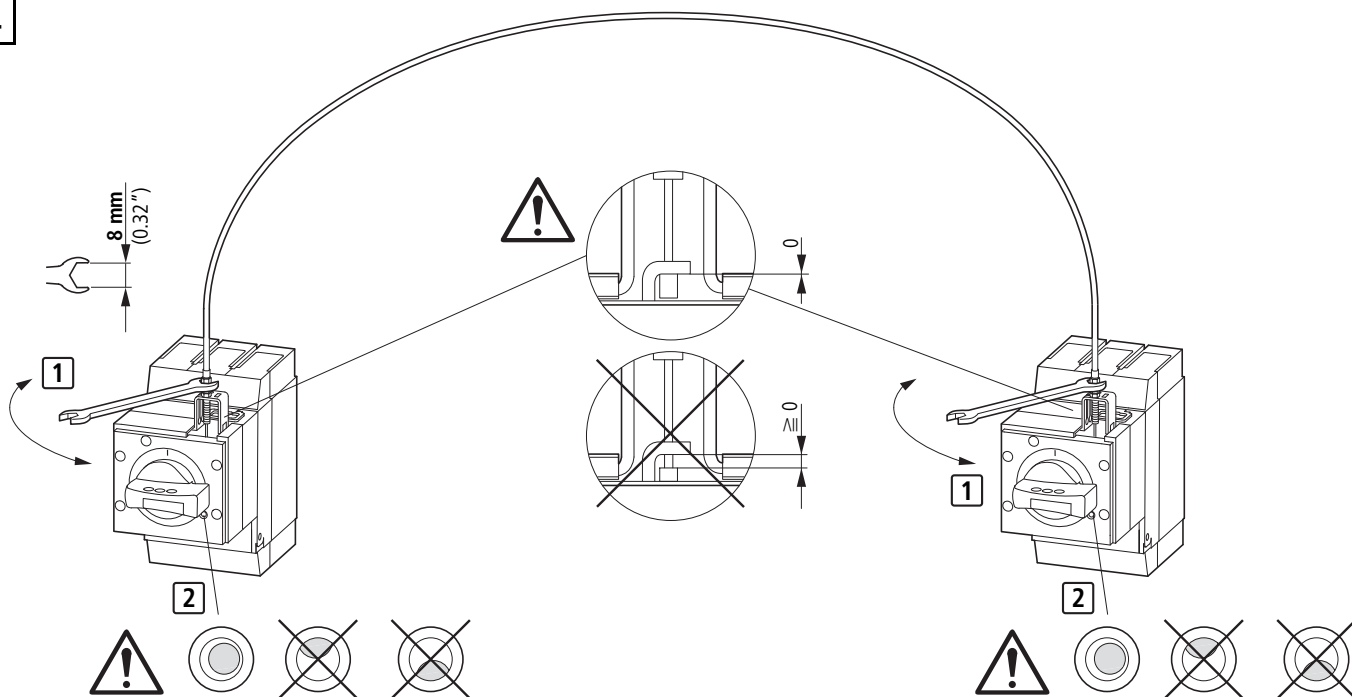
		NZM1		NZM2		NZM3		NZM4	
		x3pol	x4pol	x3pol	x4pol	x3pol	x4pol	x3pol	x4pol
NZM1	3/4 pol	20	19	20	18	20	18	19	16
NZM2	3/4 pol	20	19	20	18	20	18	19	16
NZM3	3/4 pol	18	17	18	16	18	16.3	18	15.4
NZM4	3/4 pol	16	14.5	15	13.4	16	15	15.4	12.6

NZM-XBZ1000

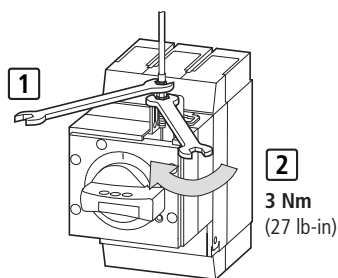
		NZM1		NZM2		NZM3		NZM4	
		x3pol	x4pol	x3pol	x4pol	x3pol	x4pol	x3pol	x4pol
NZM1	3/4 pol	36	35	35	34	36	34	34	31
NZM2	3/4 pol	36	35	35	34	36	34	34	31
NZM3	3/4 pol	32	31	33	32	34	32	34	31
NZM4	3/4 pol	30	28	29	28	31	30	31	28

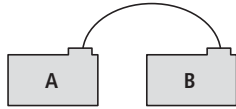
4

11/10 IL0121901ZZ

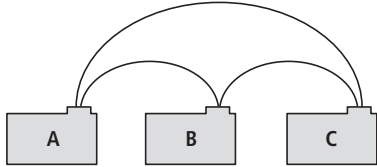


5

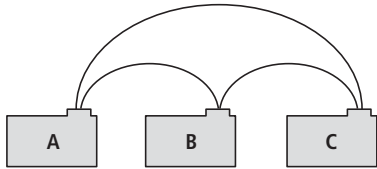




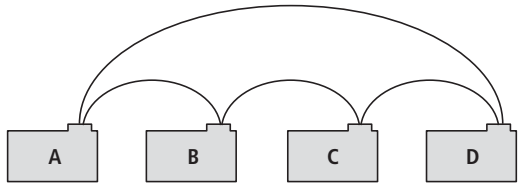
A	B
OFF	OFF
ON/TRIP	ON
ON	ON/TRIP



A	B	C
OFF	OFF	OFF
ON	ON/TRIP	ON
ON/TRIP	ON	ON/TRIP



A	B	C
OFF	OFF	OFF
ON	ON	ON
ON	ON/TRIP	ON
ON	ON	ON/TRIP



A	B	C	D
OFF	OFF	OFF	OFF
ON/TRIP	ON	ON/TRIP	ON
ON	ON/TRIP	ON	ON/TRIP

11/10 IL01219012Z