

IP41 Door escutcheon with gasket for Magnum low voltage circuit breakers

⚠ WARNING

- (1) ONLY QUALIFIED ELECTRICAL PERSONNEL SHOULD BE PERMITTED TO WORK ON THE EQUIPMENT
- (2) ALWAYS DE-ENERGIZE PRIMARY AND SECONDARY CIRCUITS IF A CIRCUIT BREAKER CANNOT BE REMOVED TO A SAFE WORK LOCATION
- (3) DRAWOUT CIRCUIT BREAKERS SHOULD BE LEVERED (RACKED) OUT TO THE DISCONNECT POSITION.
- (4) ALL CIRCUIT BREAKERS SHOULD BE SWITCHED TO THE OFF POSITION AND MECHANISM SPRINGS DISCHARGED.

FAILURE TO FOLLOW THESE STEPS FOR ALL PROCEDURES DESCRIBED IN THIS INSTRUCTION LEAFLET COULD RESULT IN DEATH, BODILY INJURY, OR PROPERTY DAMAGE.

⚠ WARNING

THE INSTRUCTIONS CONTAINED IN THIS IL AND ON PRODUCT LABELS MUST BE FOLLOWED. OBSERVE THE FIVE SAFETY RULES.

- DISCONNECTING;
- ENSURE THAT DEVICES CANNOT BE ACCIDENTALLY RESTARTED;
- VERIFY ISOLATION FROM THE SUPPLY;
- EARTHING AND SHORT-CIRCUITING; AND;
- COVERING OR PROVIDING BARRIERS TO ADJACENT LIVE PARTS.

Section 1: General information

The door escutcheon is a molded frame used to seal the space between the circuit breaker and the compartment door cutout. It is supplied with a mounting gasket.

Section 2: Installation of door escutcheon with gasket

To install the escutcheon and gasket assembly, proceed with the following three steps:

Step 1: Cut out and drill holes in front panel of the compartment door in inches (mm).

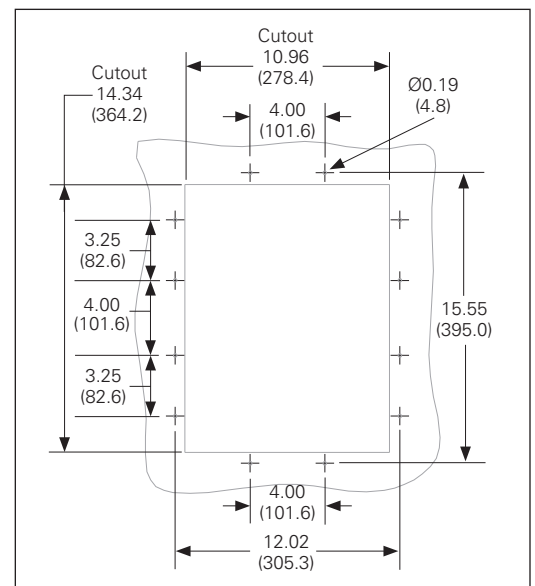


Figure 1. Step 1.

Step 2: Insert the gasket into the door frame. The gasket can be inserted into the frame using finger pressure, and only fits into the frame one way. Ensure that the gasket is seated properly in the gutter on the back of the frame. (This step is only required if the gasket and frame are not already assembled.)

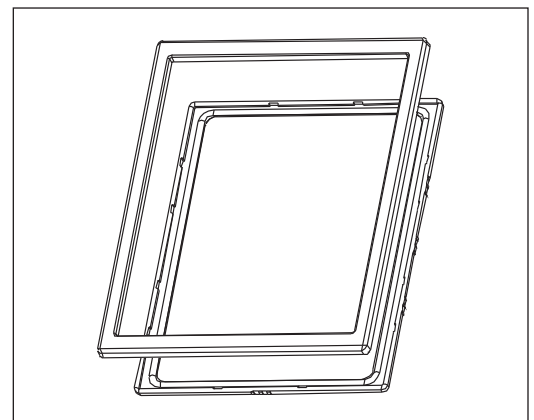


Figure 2. Step 2.

Step 3: Bolt the assembly to the front of the door using the washers and screws provided. Draw up tight, but do not overtighten.

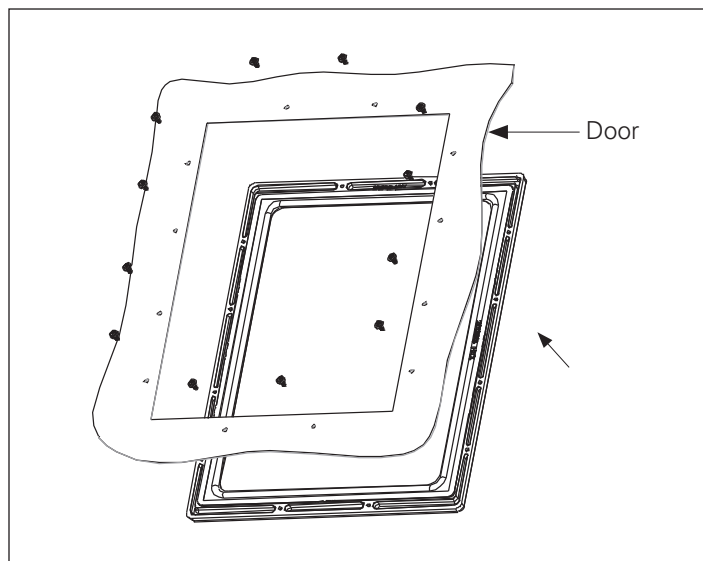


Figure 3. Step 3.

Disclaimer of warranties and limitation of liability

The information, recommendations, descriptions, and safety notations in this document are based on Eaton Corporation's ("Eaton") experience and judgment, and may not cover all contingencies. If further information is required, an Eaton sales office should be consulted.

Sale of the product shown in this literature is subject to the terms and conditions outlined in appropriate Eaton selling policies or other contractual agreement between Eaton and the purchaser.

THERE ARE NO UNDERSTANDINGS, AGREEMENTS, WARRANTIES, EXPRESSED OR IMPLIED, INCLUDING WARRANTIES OF FITNESS FOR A PARTICULAR PURPOSE OR MERCHANTABILITY, OTHER THAN THOSE SPECIFICALLY SET OUT IN ANY EXISTING CONTRACT BETWEEN THE PARTIES. ANY SUCH CONTRACT STATES THE ENTIRE OBLIGATION OF EATON. THE CONTENTS OF THIS DOCUMENT SHALL NOT BECOME PART OF OR MODIFY ANY CONTRACT BETWEEN THE PARTIES.

In no event will Eaton be responsible to the purchaser or user in contract, in tort (including negligence), strict liability, or otherwise for any special, indirect, incidental, or consequential damage or loss whatsoever, including but not limited to damage or loss of use of equipment, plant or power system, cost of capital, loss of power, additional expenses in the use of existing power facilities, or claims against the purchaser or user by its customers resulting from the use of the information, recommendations, and descriptions contained herein.

The information contained in this manual is subject to change without notice.

Eaton
1000 Eaton Boulevard
Cleveland, OH 44122
United States
Eaton.com

© 2021 Eaton
All Rights Reserved
Printed in USA
Publication No.IL2C12999H05 TBG 001552
October 2021