

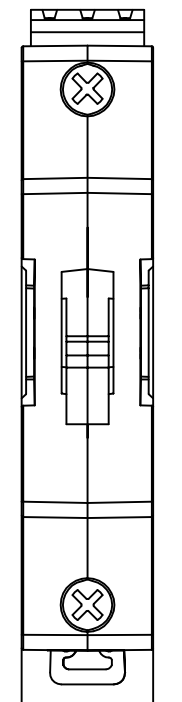
Circuit Breaker Serie ANR type 1-4 poles



This document is EATON Industries manufacturing GmbH property. Duplication forbidden without authorization.

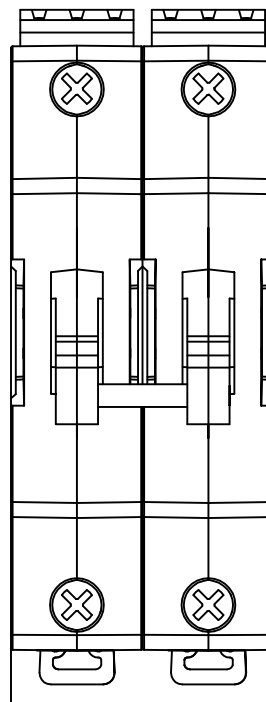
SCALE	FORMAT	DRAWN BY	VERIFIED BY	DATE	PLAN NUMBER	REV.
1:1	A2	FLB	MB	17.11.2017	----	-

Without others indication Gen.Tol. ± 0.25 [± 0.01]



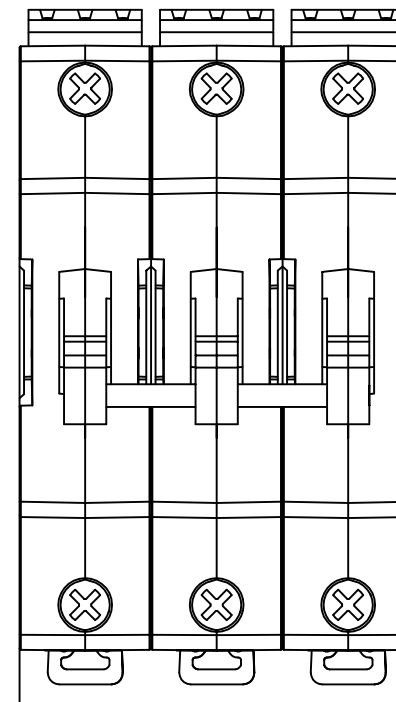
17,4^{+0,1}
[.685^{+0,039}_{-0,000}]

1 pole



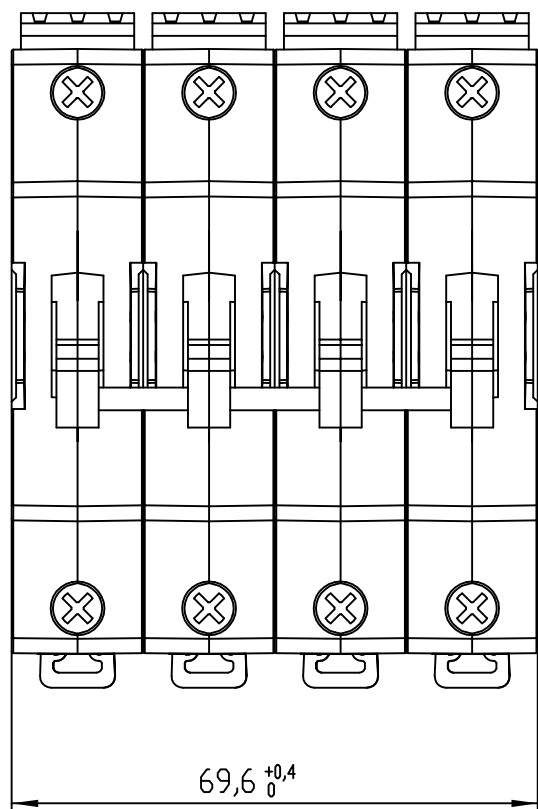
34,8^{+0,2}
[1.370^{+0,07}_{-0,000}]

2 pole



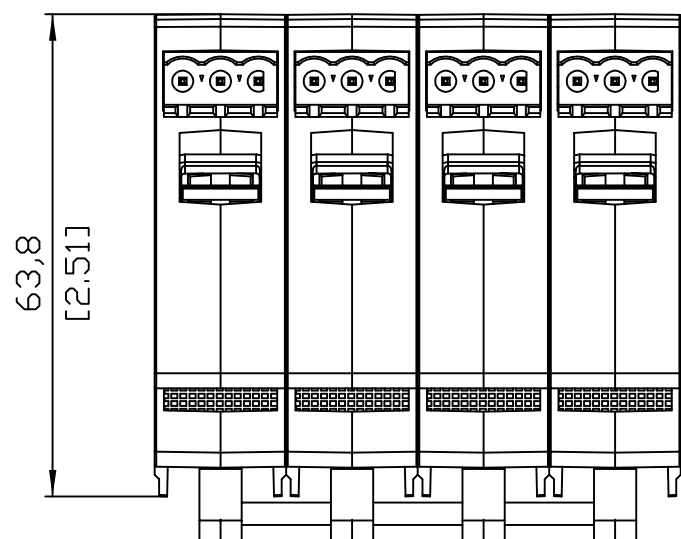
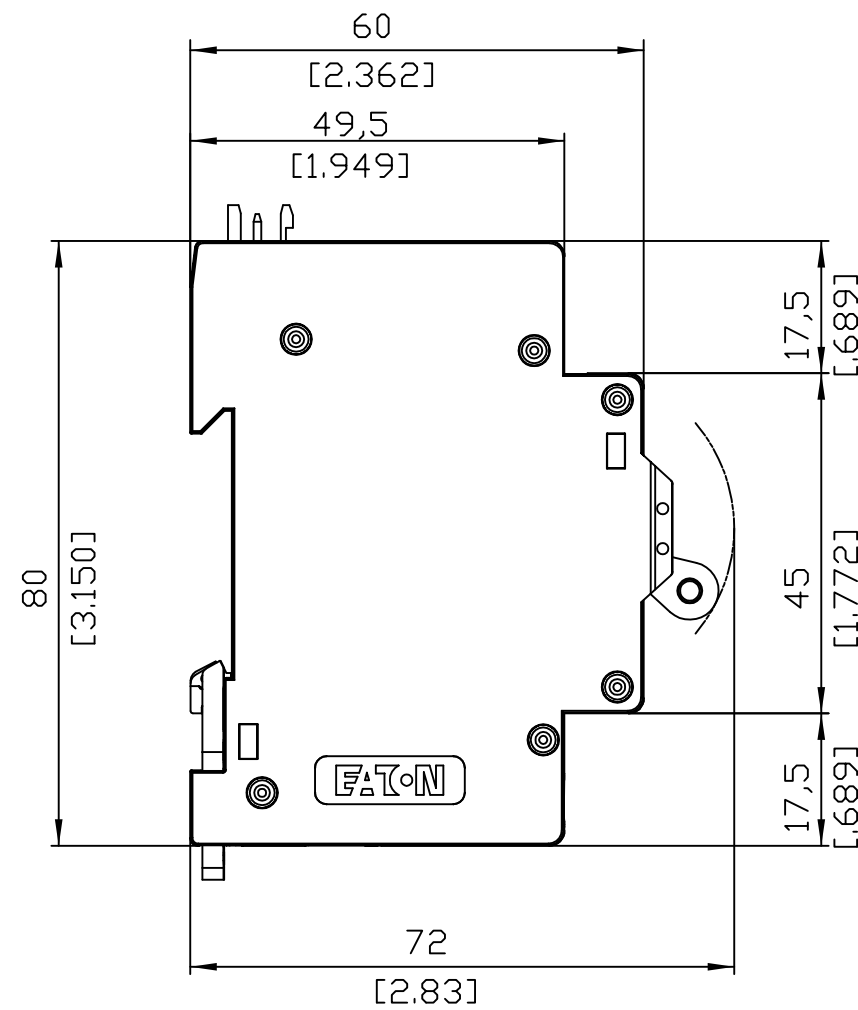
52,2^{+0,3}
[2.055^{+0,11}_{-0,000}]

3 pole



69,6^{+0,4}
[2.740^{+0,15}_{-0,000}]

4 pole



SPDT
Auxiliary contact

