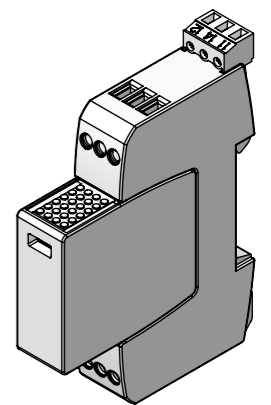
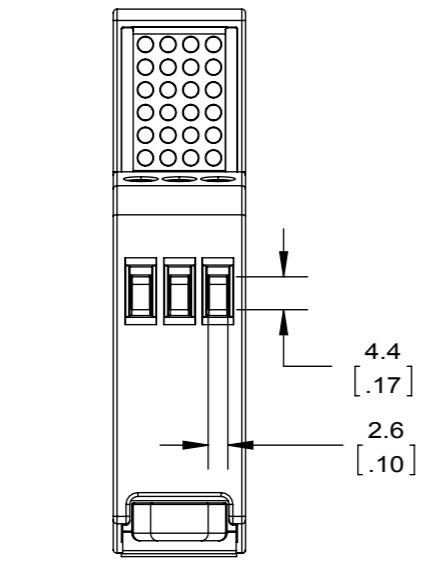
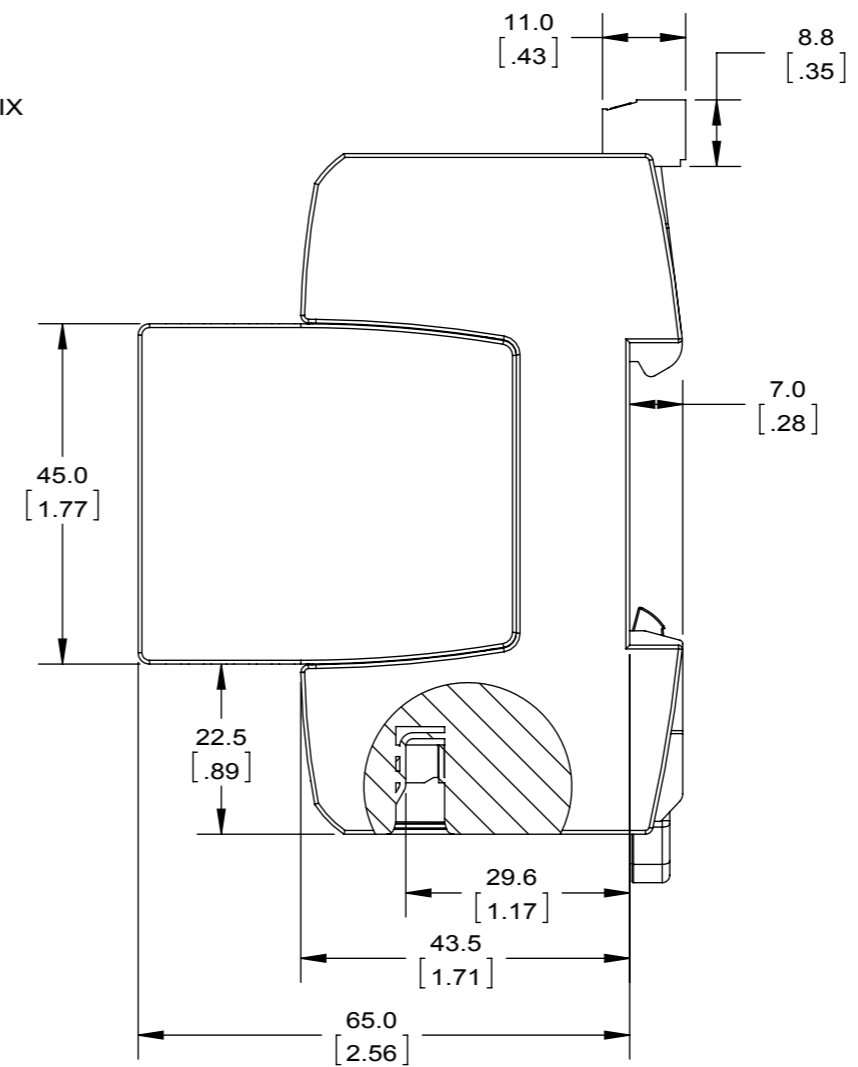
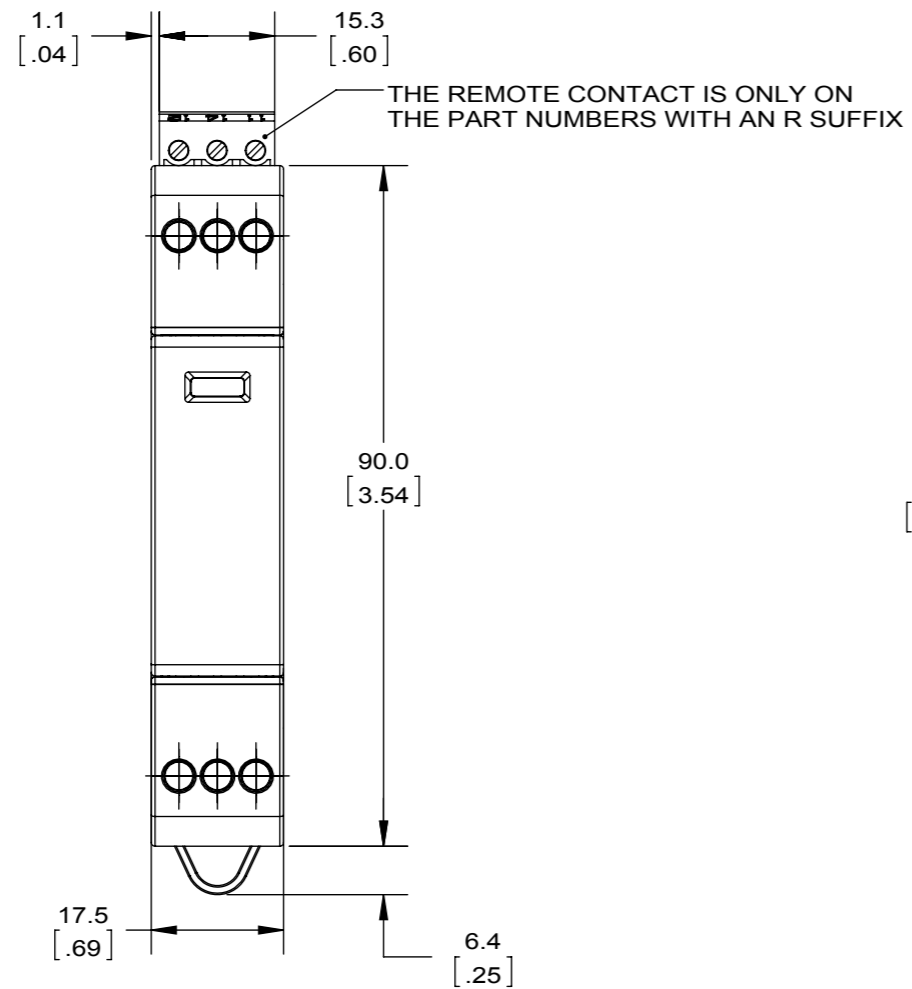


PART NUMBER	DATASHEET NUMBER
BSPH2A24D24LV(R)	2057
BSPH2A48D48LV(R)	2057
BSPH2A60D60LV(R)	2057
BSPH2A150D150LV(R)	2057
BSPH2A230D230LV(R)	2057

REVISIONS					
REV	ZONE	DESCRIPTION	DATE	ECN	BY
A		INITIAL RELEASE	08/13/2013	-----	Kevin



3D VIEW
SCALE NONE

SEE WWW.COOPERBUSSMANN.COM/SURGE FOR DATASHEET AND OTHER DETAILED ELECTRICAL AND MECHANICAL SPECIFICATIONS. THE DRAWING IS REFERENCE ONLY.

MODEL SOURCE DATA ---	MODEL VERSION ---	GENERAL DRAWING PRACTICES IN ACCORDANCE WITH ASME - Y14.100-2004 DIMENSIONS AND TOLERANCES IN ACCORDANCE WITH ASME - Y14.5M-1994	APPROVALS ENGINEER: Austin DRAWN: Kevin MANUFACTURING ENGINEER: --- MATERIAL: --- FINISH: N/A	DATE 08/13/2013 08/13/2013 --/--/----	 St. Louis, MO 63178 (USA)	
<p>THIS DRAWING IS AN UNCONTROLLED COPY IF PRINTED OR SENT ELECTRONICALLY. DO NOT SCALE DRAWING</p> <p>CONFIDENTIAL. THE INFORMATION CONTAINED IN THIS DOCUMENT IS THE PROPERTY OF COOPER INDUSTRIES, INC. IT IS NOT FOR PUBLIC DISCLOSURE. POSSESSION OF THE INFORMATION DOES NOT CONVEY ANY RIGHT TO LOAN, SELL, OR DISCLOSE THE INFORMATION. UNAUTHORIZED REPRODUCTION OR USE OF THE INFORMATION IS PROHIBITED. THIS DOCUMENT IS TO BE RETURNED TO COOPER INDUSTRIES, INC. UPON COMPLETION OF THE PURPOSE FOR WHICH IT WAS LOANED OR UPON REQUEST.</p> <p>COPYRIGHT, COOPER INDUSTRIES, INC. THIS IS AN UNPUBLISHED WORK. THE DISCLOSURE OF THIS WORK IS LIMITED TO SELECT PERSONNEL. FURTHER DISSEMINATION OR DISCLOSURE TO THE PUBLIC IS PROHIBITED. THIS UNPUBLISHED WORK IS PROTECTED BY FEDERAL COPYRIGHT LAW AND ALL RIGHTS THEREUNDER ARE RESERVED BY COOPER INDUSTRIES, INC.</p>		NA NA	---	TITLE DIN RAIL SPD-TYPE 3		
THIRD ANGLE PROJECTION		SIZE A3	DWG NO. BSPXP2XXXXXXX-TYPE3	REV A	SCALE: 1:1	SHEET 1 OF 1