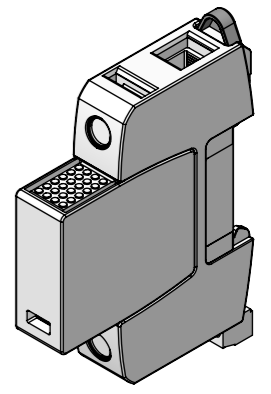
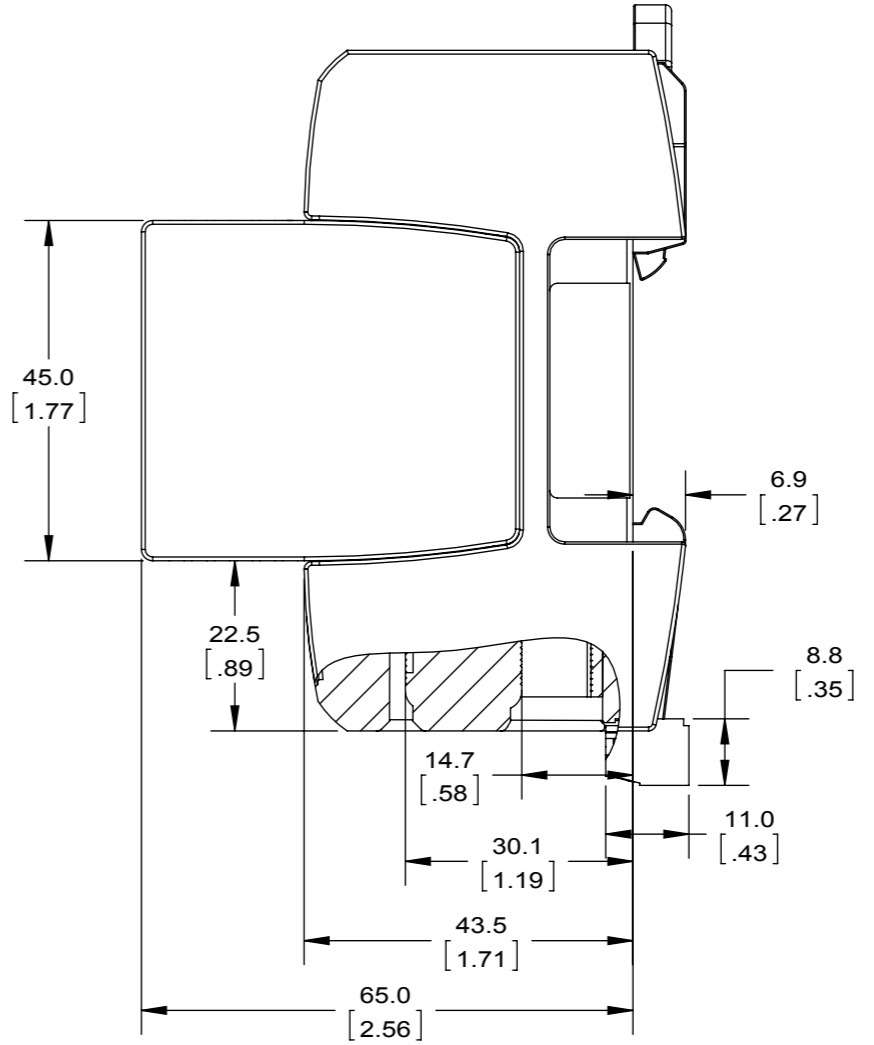
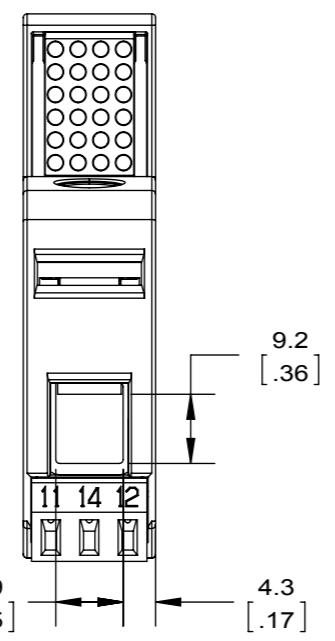
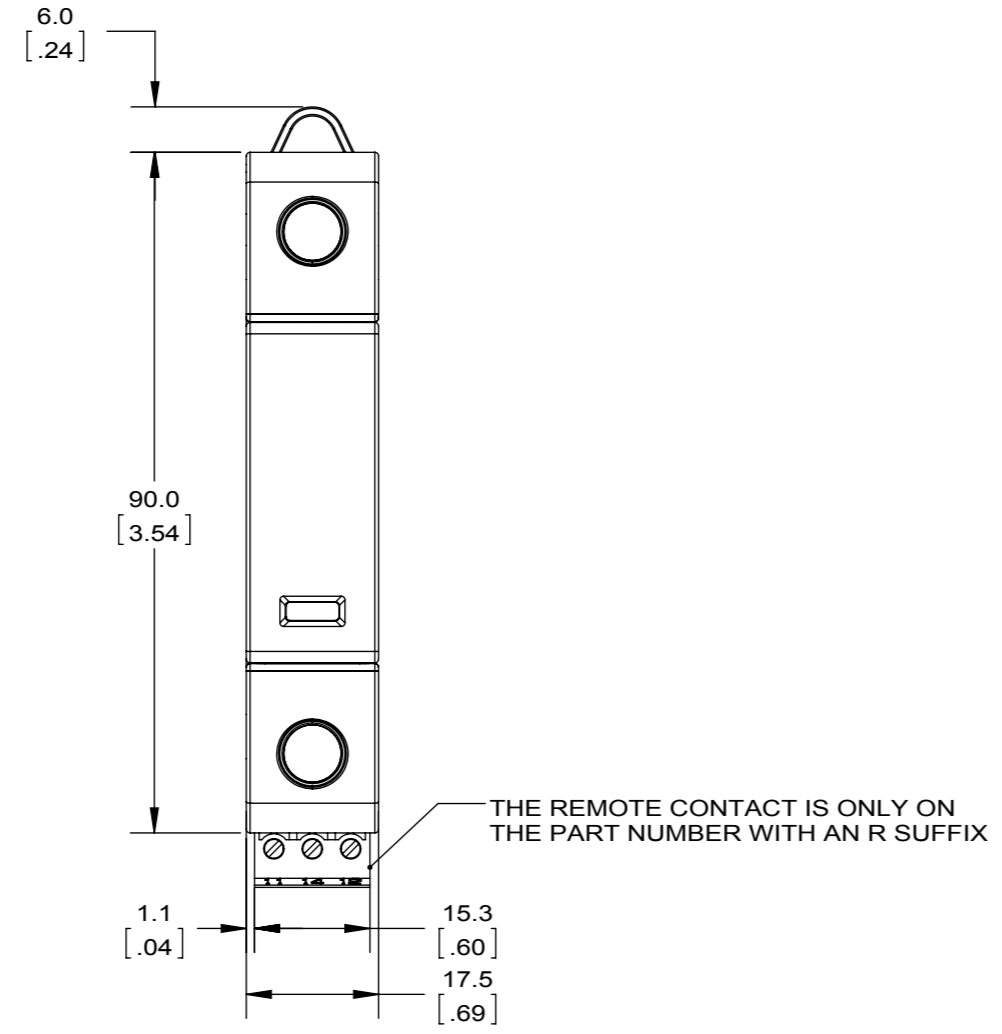


PART NUMBER	DATASHEET NUMBER
BSPG1255NPE(R)	1166
BSPM1275TN(R)	1166
BSPM1320TN(R)	1166
BSPM1385TN(R)	1166
BSPM1440TN(R)	1166
BSPM1600TN(R)	1166
BSPG1230WE(R)	2092
BSPM1400WE(R)	2092
BSPM1690WE(R)	2092
BSPM175WE(R)	2092
BSPM1120S2G(R)	2149
BSPM1240S2G(R)	2149
BSPM1347S2G(R)	2149
BSPM1A150D200LV(R)	2056
BSPM1A275D350LV(R)	2056
BSPM1A320D420LV(R)	2056
BSPM1A385D500LV(R)	2056
BSPM1A440D585LV(R)	2056
BSPM1A48D60LV(R)	2056
BSPM1A600D600LV(R)	2056
BSPM1A75D100LV(R)	2056

REVISIONS					
REV	ZONE	DESCRIPTION	DATE	ECN	BY
A		INITIAL RELEASE	08/14/2013	-----	Kevin



3D VIEW
SCALE NONE

SEE WWW.COOPERBUSSMANN.COM/SURGE FOR DATASHEET AND OTHER DETAILED ELECTRICAL AND MECHANICAL SPECIFICATIONS. THE DRAWING IS REFERENCE ONLY.

MODEL SOURCE DATA ---	MODEL VERSION ---	GENERAL DRAWING PRACTICES IN ACCORDANCE WITH ASME - Y14.100-2004 DIMENSIONS AND TOLERANCES IN ACCORDANCE WITH ASME - Y14.5M-1994	APPROVALS ENGINEER: Austin DRAWN: Kevin MANUFACTURING ENGINEER: --- MATERIAL: N/A FINISH: N/A	DATE 08/14/2013 08/14/2013 --/--/----	 St. Louis, MO 63178 (USA)	
<p>THIS DRAWING IS AN UNCONTROLLED COPY IF PRINTED OR SENT ELECTRONICALLY. DO NOT SCALE DRAWING.</p> <p>CONFIDENTIAL. THE INFORMATION CONTAINED IN THIS DOCUMENT IS THE PROPERTY OF COOPER INDUSTRIES, INC. IT IS NOT FOR PUBLIC DISCLOSURE. POSSESSION OF THE INFORMATION DOES NOT CONVEY ANY RIGHT TO LOAN, SELL, OR DISCLOSE THE INFORMATION. UNAUTHORIZED REPRODUCTION OR USE OF THE INFORMATION IS PROHIBITED. THIS DOCUMENT IS TO BE RETURNED TO COOPER INDUSTRIES, INC. UPON COMPLETION OF THE PURPOSE FOR WHICH IT WAS LOANED OR UPON REQUEST.</p> <p>COPYRIGHT, COOPER INDUSTRIES, INC. THIS IS AN UNPUBLISHED WORK. THE DISCLOSURE OF THIS WORK IS LIMITED TO SELECT PERSONNEL. FURTHER DISSEMINATION OR DISCLOSURE TO THE PUBLIC IS PROHIBITED. THIS UNPUBLISHED WORK IS PROTECTED BY FEDERAL COPYRIGHT LAW AND ALL RIGHTS THEREUNDER ARE RESERVED BY COOPER INDUSTRIES, INC.</p>		NA	NA	---		TITLE 1 POLE DIN RAIL SPD-TYPE2
THIRD ANGLE PROJECTION		SIZE A3	DWG NO. BSPXP1XXXXXX-TYPE2	REV A	SCALE: 1:1	SHEET 1 OF 1