

Fast-acting indicating fuse 60 volts dc, 125 volts ac



Description:

Bussmann® series fast-acting fuses for use in HLT, HLS and PCT fuse holders.

Specifications:

Ratings

- Volts — 60 Vdc/125 Vac
- Amps — up to 15 A

Agency Information

- UL® Recognized, Guide JFHR2, File E56412
- RoHS Compliant

Materials

- **Body:** Thermosplastic, UL 94 V0 flammability rating
- **Terminals:** Tin-plated beryllium copper

Carton quantity and weight

- Quantity: - 100 fuses per carton
- Weight: - 0.33 lbs. (150g.)

Fuse holders

- Catalog Nos. HLT, HLS, and PCT

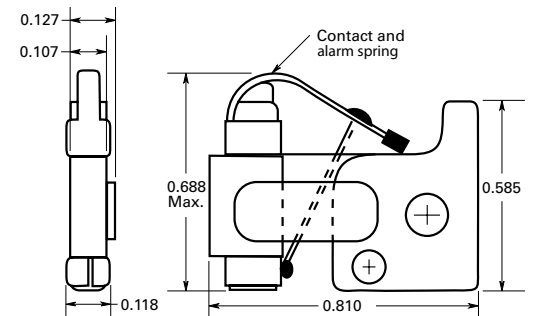
Fuse covers

- GMT-X
- GMT-Y (with pull-tab)

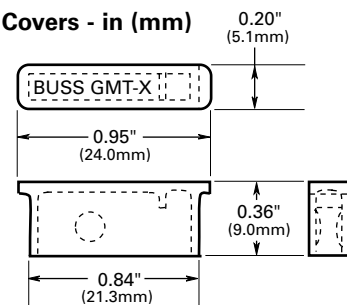
Features:

- For telecommunications, computer, or control circuits
- Visual spring indicating and alarm circuit indicating
- Color coded flags designate ampere rating.
- Fuses easily replaced without use of insulated tools
- Fuses can be removed with wire hook when mounted on minimum centers

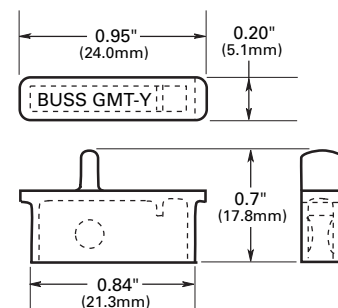
Dimensions - in (mm):



Covers - in (mm)



GMT-X fuse cover



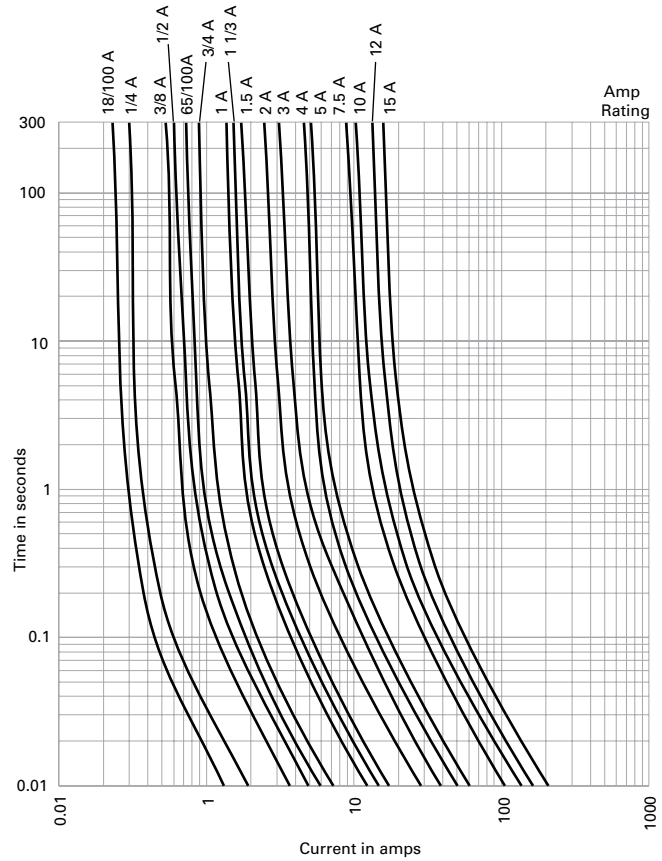
GMT-Y fuse cover

Catalog symbol and color codes

Catalog symbol	Color code	Catalog symbol	Color code
GMT-18/100 A	Yellow	GMT-3 1/2 A	White/Blue
GMT-1/4 A	Violet	GMT-4 A	White/Brown
GMT-3/8 A	White/Gray	GMT-5 A	Green
GMT-1/2 A	Red	GMT-7 1/2 A	Black/White
GMT-65/100 A	Black	GMT-10 A	Red/White
GMT-3/4 A	Brown	GMT-12 A	Yellow/Green
GMT-1 A	Gray	GMT-15 A	Red/Blue
GMT-1 1/3 A	White	GMT-Dummy	Gray
GMT-1 1/2 A	White/Yellow	GMT-A (alarm)*	Yellow
GMT-2 A	Orange	GMT-X (cover)	Clear
GMT-3 A	Blue		

*Designed specifically for use in Telpower® 15800 fused disconnect switch.

Time-current characteristic curves-average melt



Test specifications

Percent overload	Opening time
100%	10 min. (minimum)
150%	5 min. (maximum)

The only controlled copy of this data sheet is the electronic read-only version located on the Eaton network drive. All other copies of this document are by definition uncontrolled. This bulletin is intended to clearly present comprehensive product data and provide technical information that will help the end user with design applications. Eaton reserves the right, without notice, to change design or construction of any products and to discontinue or limit distribution of any products. Eaton also reserves the right to change or update, without notice, any technical information contained in this bulletin. Once a product has been selected, it should be tested by the user in all possible applications.

Eaton
1000 Eaton Boulevard
Cleveland, OH 44122
United States
Eaton.com

Bussmann Division
114 Old State Road
Ellisville, MO 63021
United States
Eaton.com/bussmannseries

© 2020 Eaton
All Rights Reserved
Publication No. 5008
January 2020

Eaton, Bussmann and Telpower are valuable trademarks of Eaton in the US and other countries. You are not permitted to use the Eaton trademarks without prior written consent of Eaton.

UL is a registered trademark of the Underwriters Laboratories, Inc.

For Eaton's Bussmann series product information, call 1-855-287-7626 or visit: Eaton.com/bussmannseries

Follow us on social media to get the latest product and support information.

