

1500 V d.c., 10 x 85 mm fuse holder



Product description

Eaton's Bussmann® series 10 x 85 mm fuse holder is suitable for use with 10 x 85 mm and 14 x 85 mm cylindrical gPV fuse links.

The unique design offers high degree of safety. There is no possibility of any accidental contact with live parts during replacement of the fuse links. When the fuse carrier is in the extracted position the carrier covers the live parts hence protecting against any accidental contact.

Features

- Suitable for 10 x 85 and 14 x 85 mm gPV cylindrical fuse links
- Global accreditation
- Current rating: 32 A for IEC and UL

Catalogue symbol

- CHPV15L85

Compatible fuse links

- 10 x 85 mm fuse links - PV-xA10F85
- 14 x 85 mm fuse links - PV-xxA14LF10F

Technical data

- Number of poles: 1
- Rated voltage: 1500 V d.c.
- Rated current: 32 A for IEC and UL
- Rated isolation voltage U_i : 1500 V
- Rated impulse withstand voltage U_{imp} : 12 kV (tested at 18.5 kV)
- Rated breaking capacity I_{cc} : 50 kA
- Suitable for fuse links with permitted rated power dissipation up to max 8.5W
- RoHS Compliant
- Mounting on 35 mm DIN-Rail
- Degree of protection: IP20

Mechanical data

- W x H x D: 22 x 129 x 69
- Weight: 101 grams

Material properties

- Main body of fuse carrier
 - Temperature stability: 130°C
 - Self-extinguishing in accordance to UL 94
 - Comparative tracking index: PLC 1
 - Halogen free
- Connecting screws
 - M5 Phil-slot head zinc plated and clear passivated

Storage & operating temperature range

- Minimum permitted ambient temperature: -40°C (installation only at temperatures > -5°C).
- Maximum permitted ambient temperature: +80°C
- Service conditions as per IEC 61439-1, maximum pollution degree 3.

Terminal points

- Box terminal: Cu 4 - 10 mm² flexible, directly clamped or with wire-end ferrules (flexible + wire-end ferrule may not be possible with maximum cross-section)

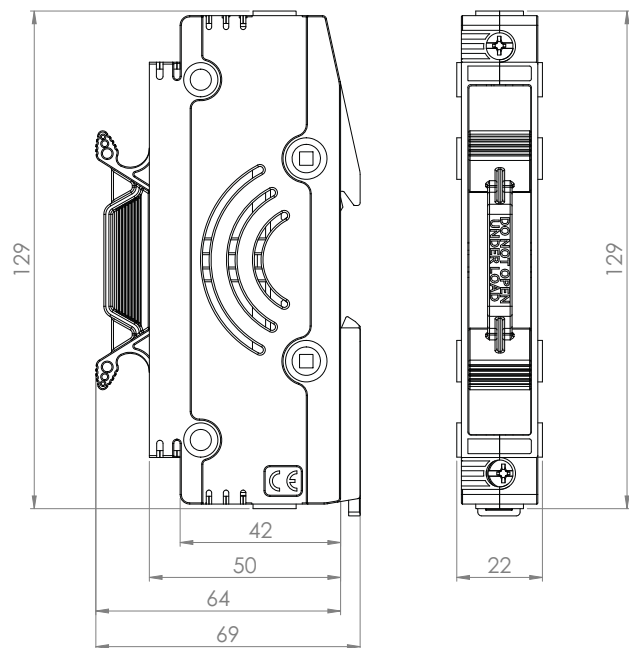
Standards/Approvals

- IEC 60269-1
- UL 4248-1 Edition 1 (File number E348242)
- UL 4248-19 Edition 1

Packaging

- 12 per pack

Dimensions - mm



Changes to the products, to the information contained in this document, and to prices are reserved; so are errors and omissions. Only order confirmations and technical documentation by Eaton is binding. Photos and pictures also do not warrant a specific layout or functionality. Their use in whatever form is subject to prior approval by Eaton. The same applies to Trademarks (especially Eaton, Moeller, and Cutler-Hammer). The Terms and Conditions of Eaton apply, as referenced on Eaton Internet pages and Eaton order confirmations.

Eaton
 EMEA Headquarters
 Route de la Longeraie 7
 1110 Morges, Switzerland

Eaton Electrical Products Limited
 Melton Road
 Burton-on-the-Wolds
 Leicestershire, LE12 5TH
 United Kingdom

© 2017 Eaton
 All Rights Reserved
 PDF Only
 Publication No. 10628
 April 2018