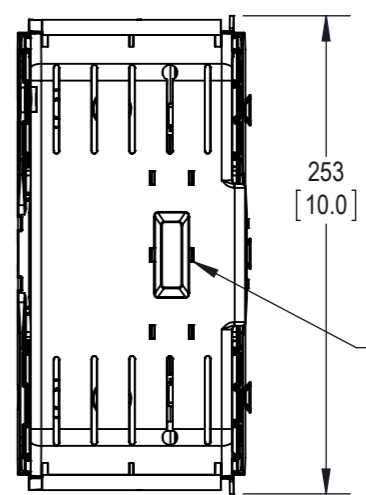
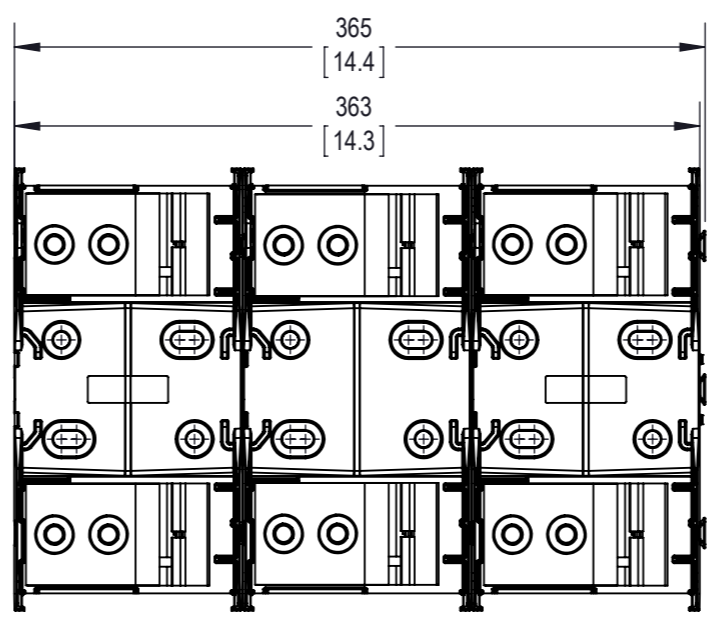
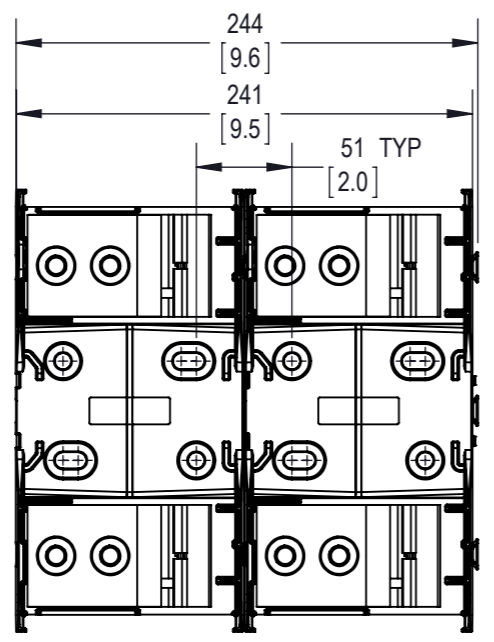
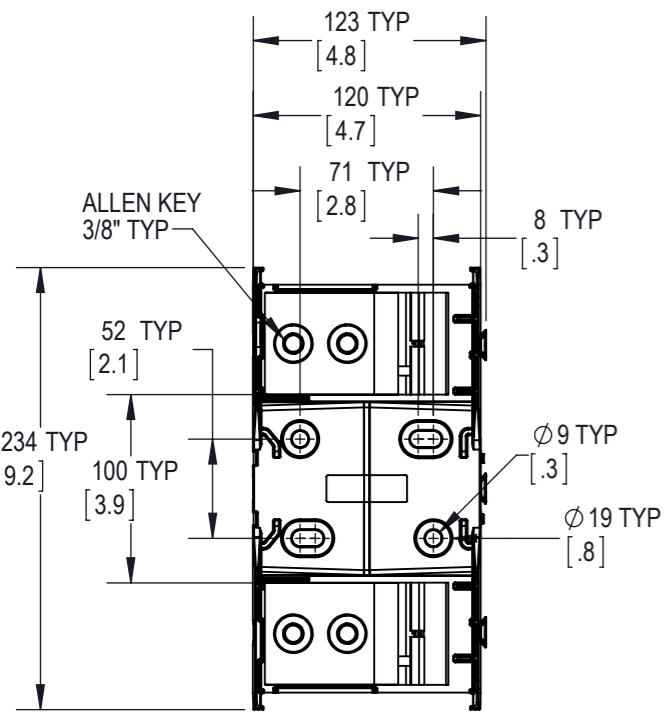
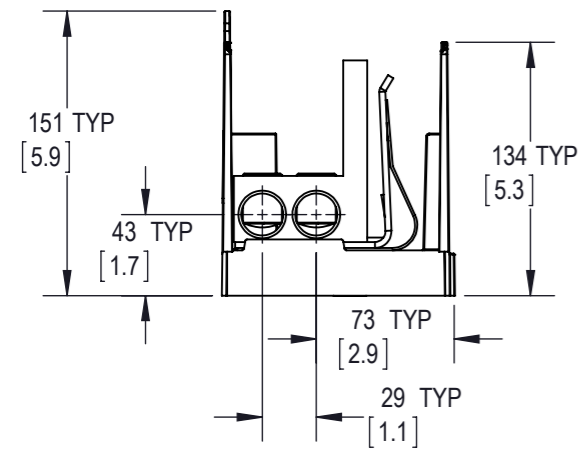


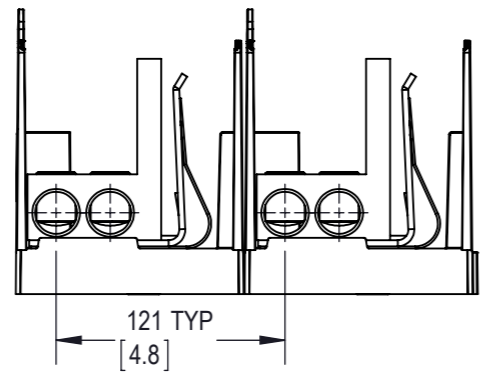
REVISIONS					
REV	ZONE	DESCRIPTION	DATE	ECN	BY
A		INITIAL RELEASE	1/8/14		TCB



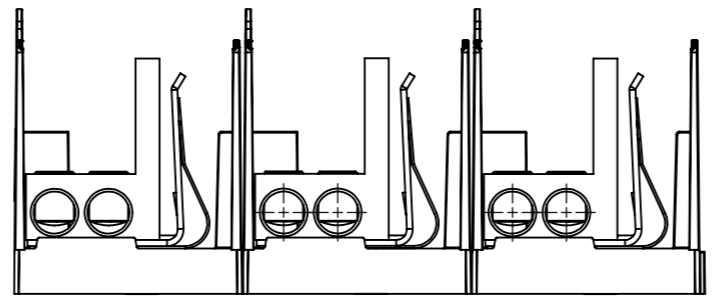
CVR-JM60600 (COVER NON-INDICATING)
CVRI-JM60600 (COVER WITH INDICATION)



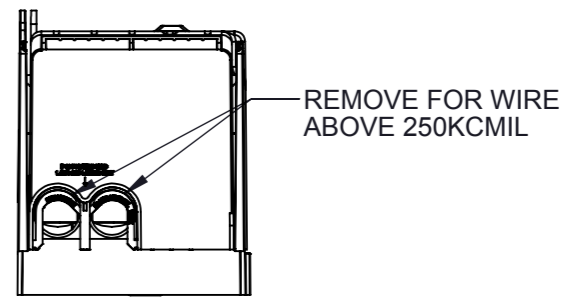
JM60600-1CR



JM60600-2CR

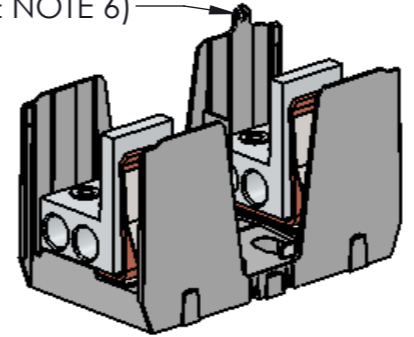


JM60600-3CR

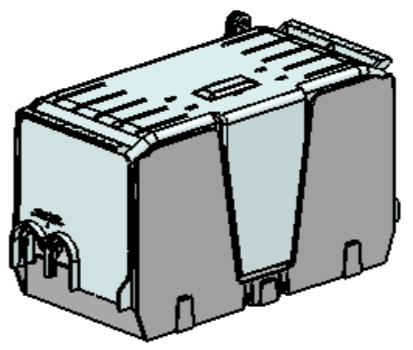


JM60600-1CR
(SHOWN WITH COVER)

LOCKOUT-TAGOUT
FEATURE (SEE NOTE 6)



3D VIEW OF JM60600-1CR
SCALE = NONE



3D VIEW OF JM60600-1CR
WITH COVER
SCALE = NONE

CUSTOMER PRINT

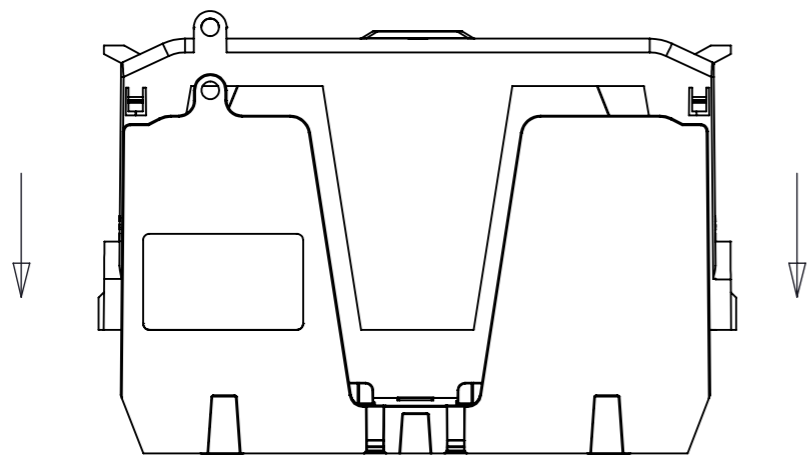
NOTES:

- VOLTAGE RATING: 600V
- AMPERAGE: 600A
- WITHSTAND RATING: 200kA
- WIRE: Cu/AI 75°C ONLY
- WIRE RANGE: (2) 500KCMIL - 4 AWG Cu/AI
- USE 4mm DIA. CABLE LOCK OR 1/4" DIA. HASP PADLOCK.

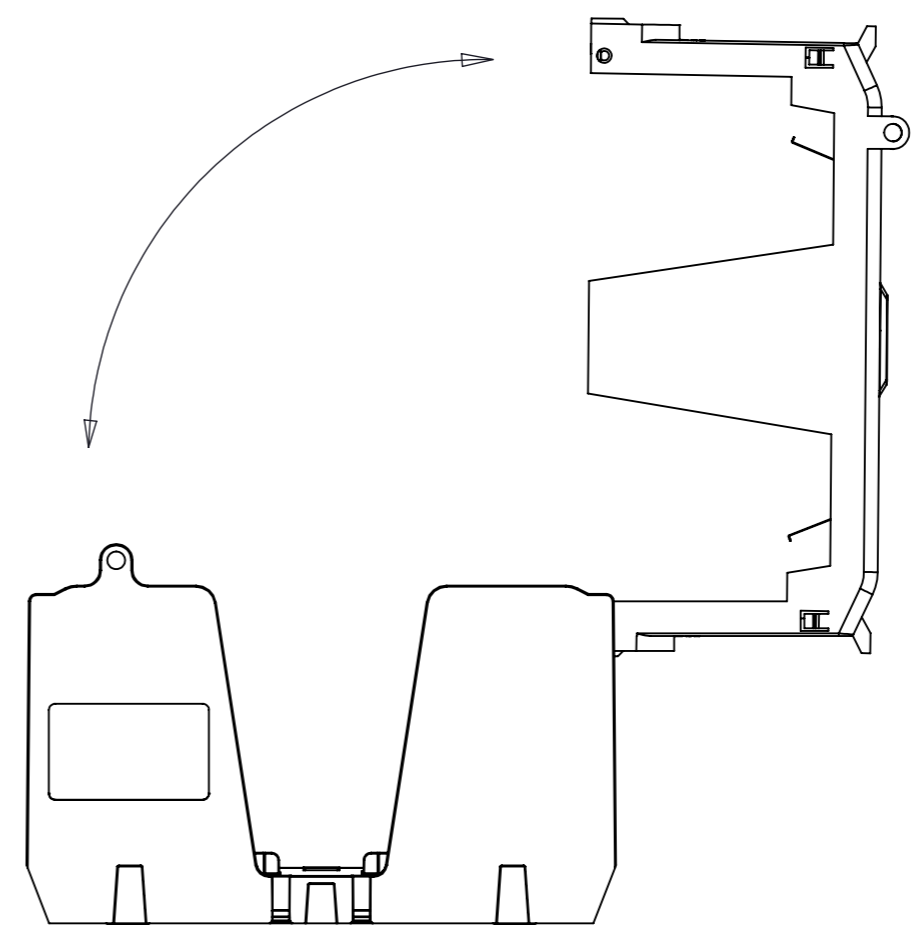
MODEL SOURCE DATA JM60600-XCR	MODEL VERSION	GENERAL DRAWING PRACTICES IN ACCORDANCE WITH ASME - Y14.100-2004 DIMENSIONS AND TOLERANCES IN ACCORDANCE WITH ASME - Y14.5M-1994	APPROVALS	DATE	
THIS DRAWING IS AN UNCONTROLLED COPY IF PRINTED OR SENT ELECTRONICALLY. DO NOT SCALE DRAWING		UNLESS OTHERWISE SPECIFIED DIMENSIONS ARE IN MILLIMETERS TOLERANCES TO BE ONE PLACE X.X = ±0.3 mm TWO PLACE X.X X = ±0.13 mm ALL ANGLES X.X = ±1°	PRODUCT MANAGER	--/------	
EATON CORPORATION - CONFIDENTIAL AND PROPRIETARY NOTICE TO PERSONS RECEIVING THIS DOCUMENT AND/OR TECHNICAL INFORMATION			ENGINEER	--/------	
THIS DOCUMENT, INCLUDING THE DRAWING AND INFORMATION CONTAINED THEREON, IS CONFIDENTIAL AND IS THE EXCLUSIVE PROPERTY OF EATON CORPORATION AND IS MERELY ON LOAN AND SUBJECT TO RECALL BY EATON AT ANY TIME. BY TAKING POSSESSION OF THE DOCUMENT, THE RECIPIENT ACKNOWLEDGES AND AGREES THAT THIS DOCUMENT CANNOT BE USED IN ANY MANNER ADVERSE TO THE INTERESTS OF EATON AND THAT NO PORTION OF THIS DOCUMENT MAY BE COPIED OR OTHERWISE REPRODUCED WITHOUT THE PRIOR WRITTEN CONSENT OF EATON. IN THE CASE OF CONFLICTING CONTRACTUAL PROVISIONS, THIS NOTICE SHALL GOVERN THE STATUS OF THIS DOCUMENT.		SPECIAL CHARACTERISTIC $\diamond (0)$	QUALITY	--/------	
© 2012 Eaton Corporation. All Rights Reserved.		SIGNIFICANT CHARACTERISTIC $\triangle (0)$	MATERIAL	--/------	
		THIRD ANGLE PROJECTION	FINISH	N/A	<p>TITLE 600V / 600A CLASS J FUSE BLOCK</p> <p>SIZE A3 DWG NO. JM60600-XCR-CP REV A</p> <p>SCALE: 1:4 SHEET 1 OF 2</p>

8 7 6 5 4 3 2 1

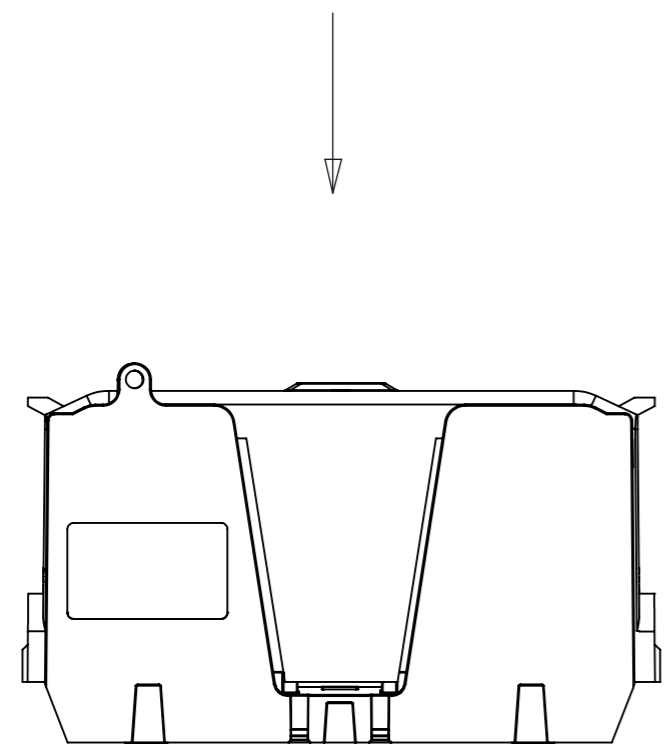
F E D C B A



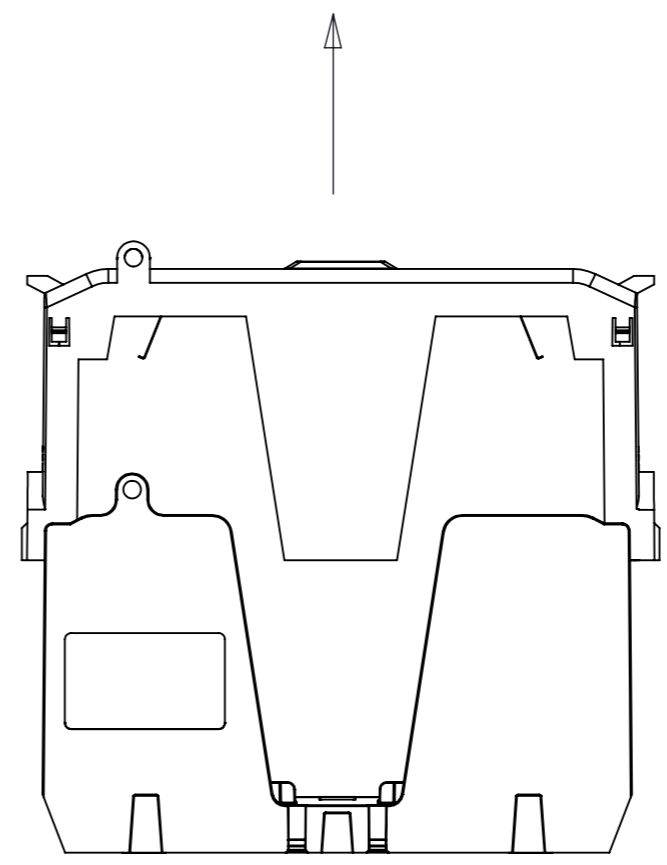
PUSH DOWN



**LIFT UP.
THEN ROTATE.**



→



LIFT UP

Bussmann
by **E.T.N.**

TITLE
600V / 600A CLASS J FUSE BLOCK

SIZE A3	DWG NO. JM60600-XCR-CP	REV A
SCALE: 1:3	SHEET 2 OF 2	

8 7 6 5 4 3 2 1

F E D C B A

SIA3_BUSS_MIE_GER_REV_A