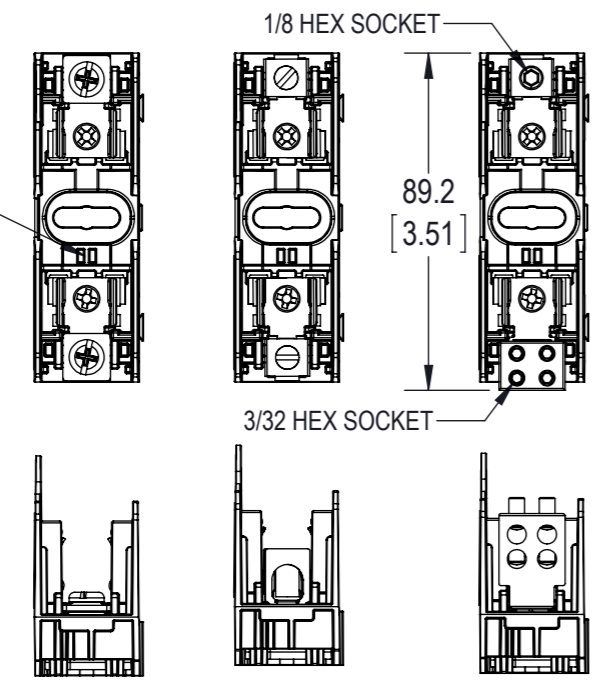


CATALOG NO.	TERMINAL TYPE	IP20 FINGER SAFE C		NO. OF POLES
		W/O INDICATION	INDICATION	
JM60030-1SR	SCREW	CVR-J-60030	CVRI-J-60030	1
JM60030-2SR	SCREW			2
JM60030-3SR	SCREW			3
JM60030-1PR	PRESSURE PLATE			1
JM60030-2PR	PRESSURE PLATE			2
JM60030-3PR	PRESSURE PLATE			3
JM60030-1CR*	BOX LUG	NA	NA	1
JM60030-2CR*	BOX LUG			2
JM60030-3CR*	BOX LUG			3
JM60030-1MW14	BOX LUG - 4 PORT MULTIWIRES	NA	NA	1
JM60030-2MW14	BOX LUG - 4 PORT MULTIWIRES			2
JM60030-3MW14	BOX LUG - 4 PORT MULTIWIRES			3

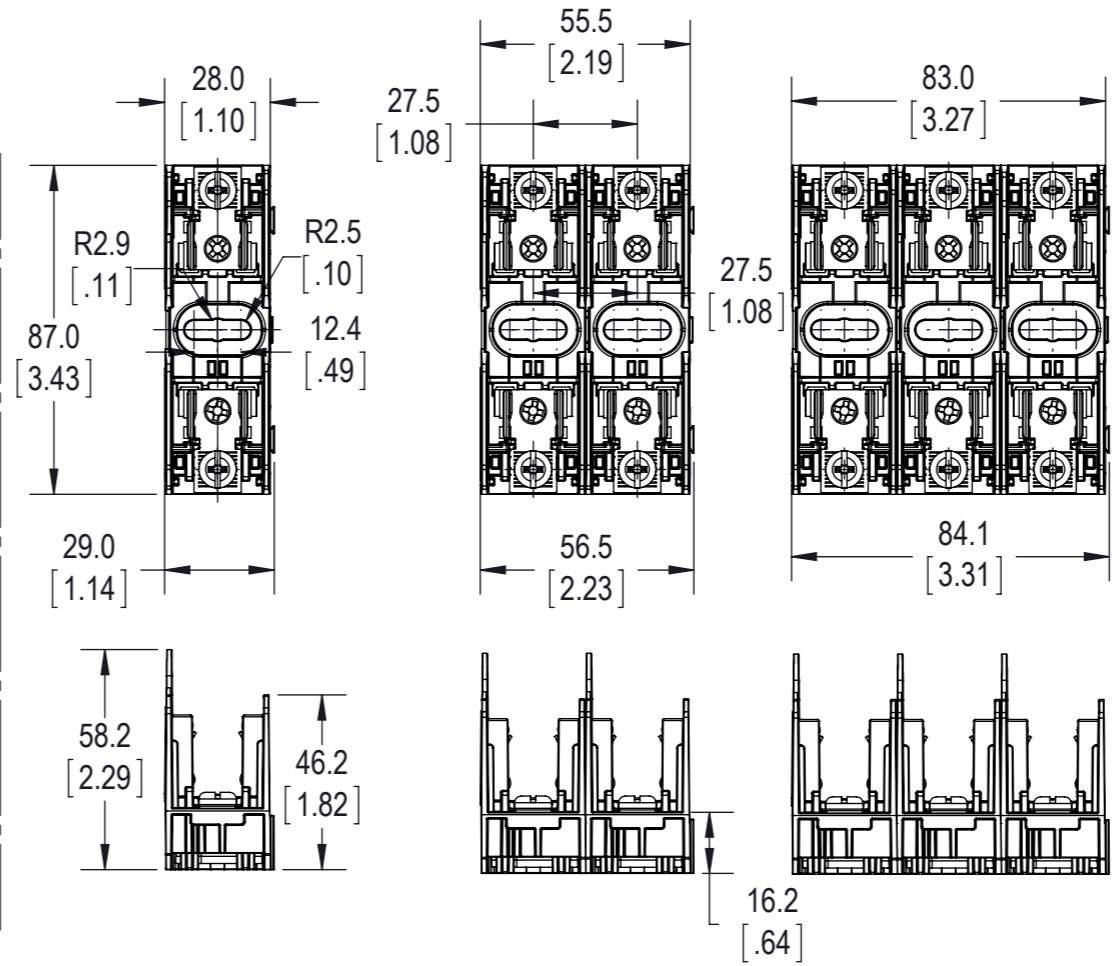
* -CHR ALSO AVAILABLE; SEE NOTE 11

PROVISION FOR MARKING LABEL
SEE NOTE 8

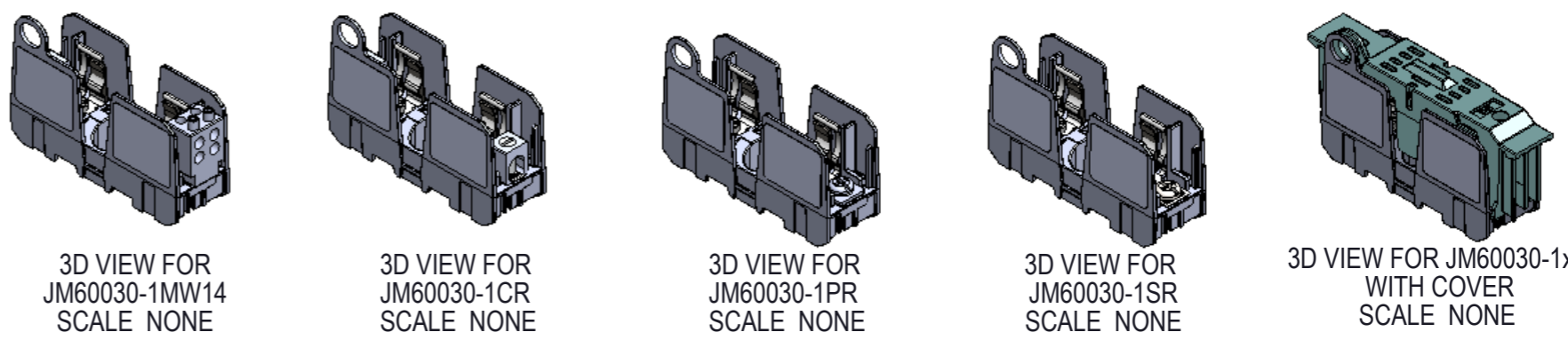


JM60030-1PR JM60030-1CR JM60030-1MW14

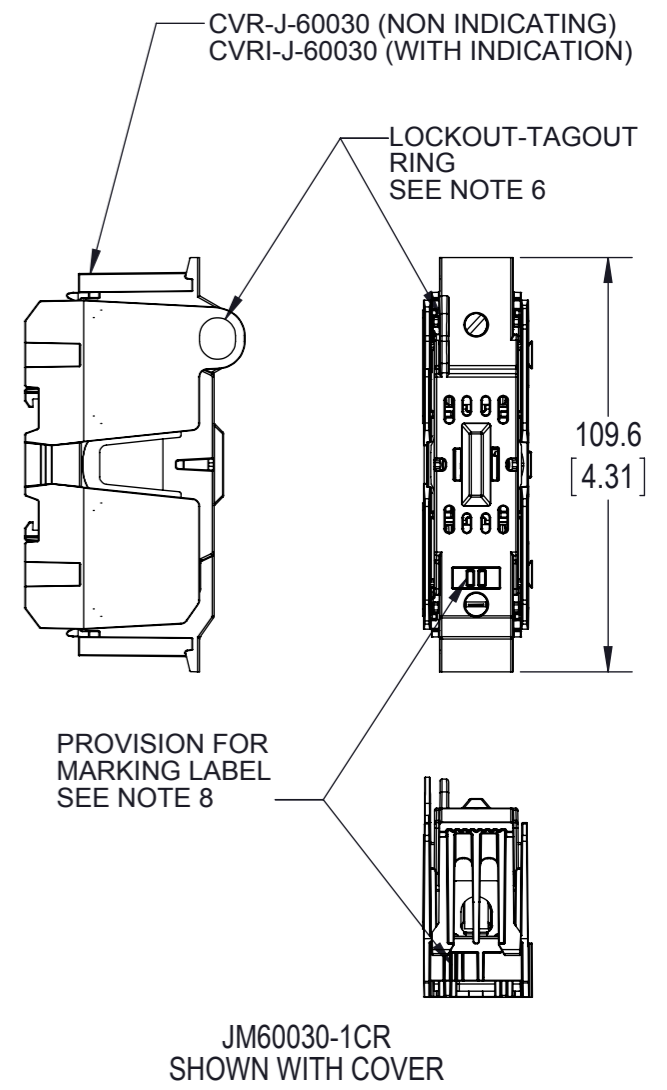
- NOTES:
- VOLTAGE RATING: 600V
 - AMPERAGE: 30A
 - WITHSTAND RATING: 200kA
 - WIRE: CU75C/90C
 - CR WIRE RANGE:
 - 2 - 14 AWG CU
 - 2-3: 50 lb-in (5.6 Nm)
 - 4-6, 45 lb-in (5.1 Nm)
 - 8, 40 lb-in (4.5 Nm)
 - 10-14, 35 lb-in (4.0 Nm)
 - 12-14, 50 lb-in (5.6 Nm)
 - MW14 WIRE RANGE:
 - 8-14 AWG CU
 - 8 AWG 3.4 Nm (30 in-lb)
 - 14-10 2.8 Nm (25 in-lb)
 - 12-14 AWG CU
 - 12-14 3.4 Nm (30 in-lb)
 - 8-10 AWG AL
 - 8 Str/10 Sol: 3.4 Nm (30 in-lb)
 - SR/PR WIRE RANGE:
 - 10-18 AWG CU ONLY
 - 10-18 AWG = 20 LB-IN (2.3NM)



1-POLE JM60030-1SR SHOWN 2-POLE JM60030-2SR SHOWN 3-POLE JM60030-3SR SHOWN



3D VIEW FOR JM60030-1MW14 SCALE NONE 3D VIEW FOR JM60030-1CR SCALE NONE 3D VIEW FOR JM60030-1PR SCALE NONE 3D VIEW FOR JM60030-1SR SCALE NONE 3D VIEW FOR JM60030-1xR WITH COVER SCALE NONE



JM60030-1CR SHOWN WITH COVER

EATON CORPORATION - CONFIDENTIAL AND PROPRIETARY
NOTICE TO PERSONS RECEIVING THIS DOCUMENT AND/OR TECHNICAL INFORMATION
THIS DOCUMENT, INCLUDING THE DRAWING AND INFORMATION CONTAINED THEREON, IS CONFIDENTIAL AND IS THE EXCLUSIVE PROPERTY OF EATON CORPORATION AND IS MERELY ON LOAN AND SUBJECT TO RECALL BY EATON AT ANY TIME. BY TAKING POSSESSION OF THE DOCUMENT, THE RECIPIENT ACKNOWLEDGES AND AGREES THAT THIS DOCUMENT CANNOT BE USED IN ANY MANNER ADVERSE TO THE INTERESTS OF EATON AND THAT NO PORTION OF THIS DOCUMENT MAY BE COPIED OR OTHERWISE REPRODUCED WITHOUT THE PRIOR WRITTEN CONSENT OF EATON. IN THE CASE OF CONFLICTING CONTRACTUAL PROVISIONS, THIS NOTICE SHALL GOVERN THE STATUS OF THIS DOCUMENT.
© 2012 Eaton Corporation. All Rights Reserved.

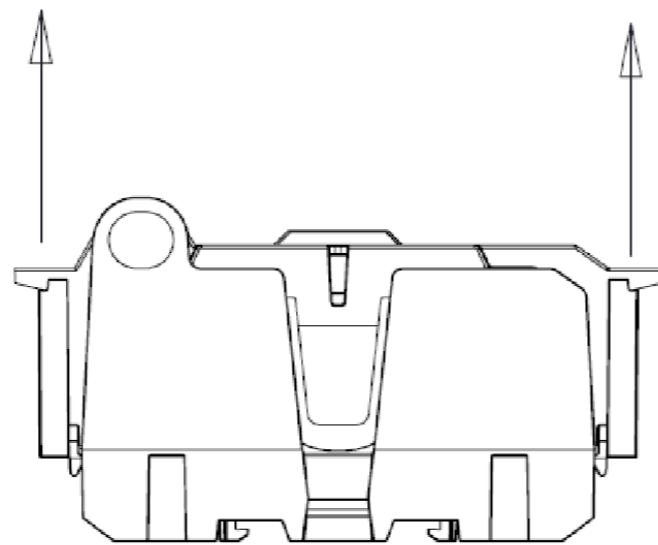
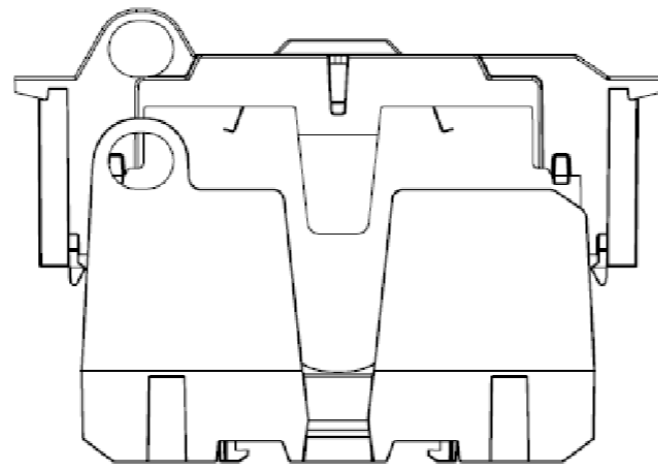
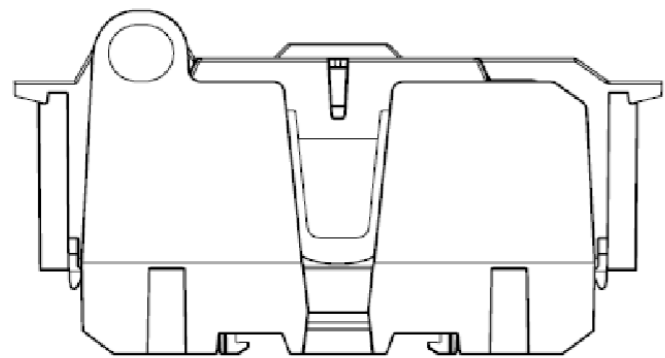
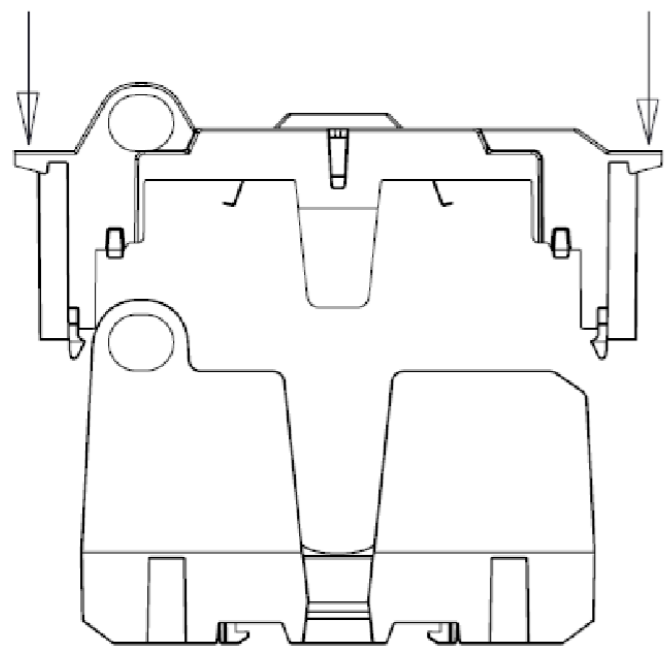
THIS DRAWING IS AN UNCONTROLLED COPY IF PRINTED OR SENT ELECTRONICALLY. DO NOT SCALE DRAWING
GENERAL DRAWING PRACTICES IN ACCORDANCE WITH ASME - Y14.100-2004 DIMENSIONS AND TOLERANCES IN ACCORDANCE WITH ASME - Y14.5M-1994
UNLESS OTHERWISE SPECIFIED DIMENSIONS ARE IN MILLIMETERS
UNLESS OTHERWISE SPECIFIED TOLERANCES TO BE MILLIMETERS ±.13 mm ANGULAR ± 1°
CUSTOMER PRINT
THIRD ANGLE PROJECTION

EATON BUSSMANN SERIES

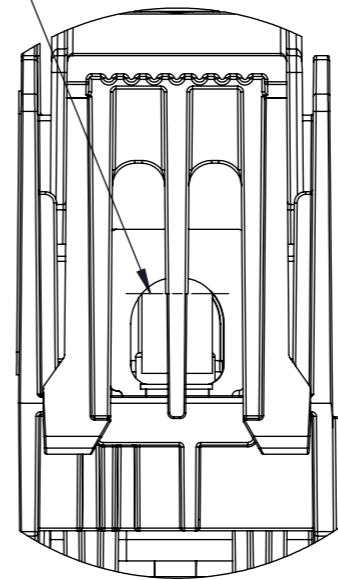
TITLE: **600V / 30AMP CLASS J FUSE BLOCK**

SIZE: **A3** DWG NO.: **JM60030-SERIES-CP** REV: **B**

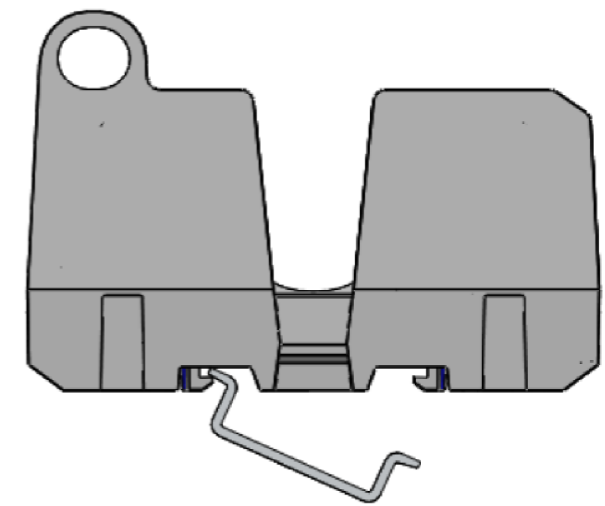
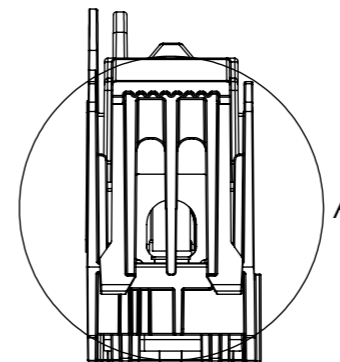
SCALE: 1:2 SHEET 1 OF 2



CUT COVER TAB
AT NOTCH FOR USE
WITH WIRES LARGER
THAN 8 AWG

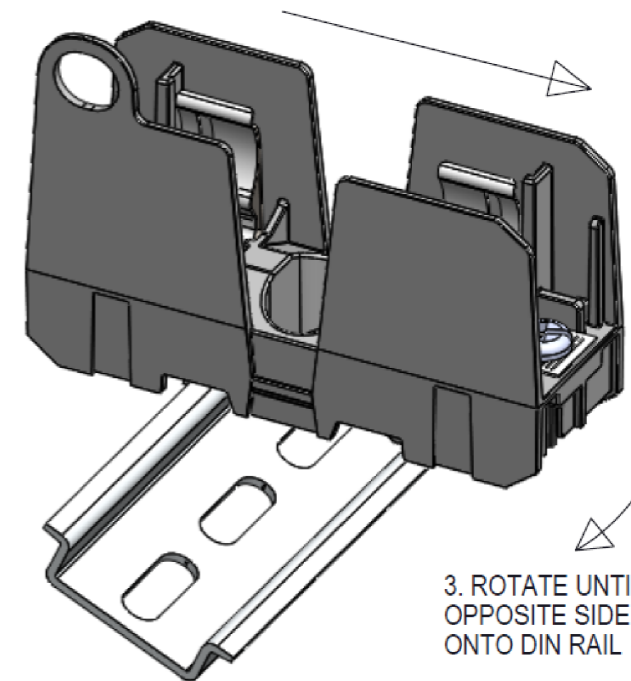


DETAIL A
SCALE 1.5 : 1



1. HOOK DIN RAIL SNAPS ON ONE SIDE OF THE DIN RAIL

2. PUSH DOWN TO DEFLECT THE SNAPS



3. ROTATE UNTIL THE
OPPOSITE SIDE SNAPS
ONTO DIN RAIL

CLOSING
PUSH STRAIGHT DOWN UNTIL SNAPS CLICK
INTO PLACE

OPENING
PULL STRAIGHT UP AT BOTH OUTSIDE
HANDLES

INSTALLATION ON DIN RAIL
END STOPS MAY BE NECESSARY FOR SOME
ASSEMBLY CONDITIONS - SEE NOTE 7

EATON BUSSMANN
SERIES

TITLE
600V / 30AMP CLASS J FUSE BLOCK

SIZE DWG NO. REV
A3 **JM60030-SERIES-CP** **B**

SCALE: 4:5 SHEET 2 OF 2