

EAT•N
BUSSMANN
SERIES

**Compact
Circuit
Protector (CCP)
Accessory**

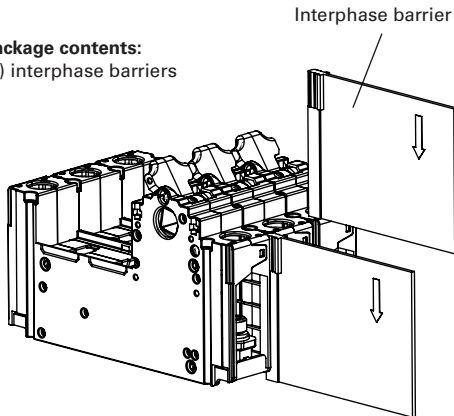
**For
200 A Frame
and ganged
200/225 A
CUBEFuse
holders
(TCFH_N)**

Eaton
Bussmann Division
St. Louis, MO 63178
Eaton.com/bussmannseries

Made in Dominican
Republic
PUB10695
3A3761 Rev A

3-Pole Interphase Barrier Kit
Catalog No. CCP2-PB2
Quantity - 1

Package contents:
(2) interphase barriers



Interphase barriers may be assembled to either lineside or loadside of 2- or 3-pole switches and two or three ganged CUBEFuse holders.

Installation instructions:

- To install, slide interphase barriers into slots as shown.