

8

7

6

5

4

3

2

1

F

E

D

C

B

A

F

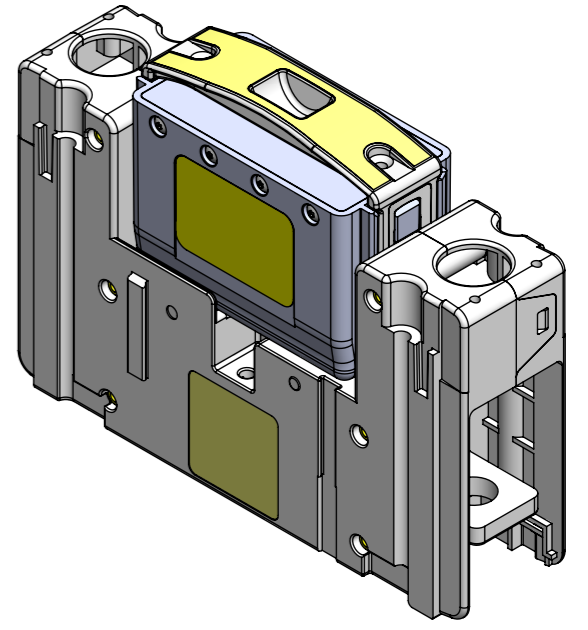
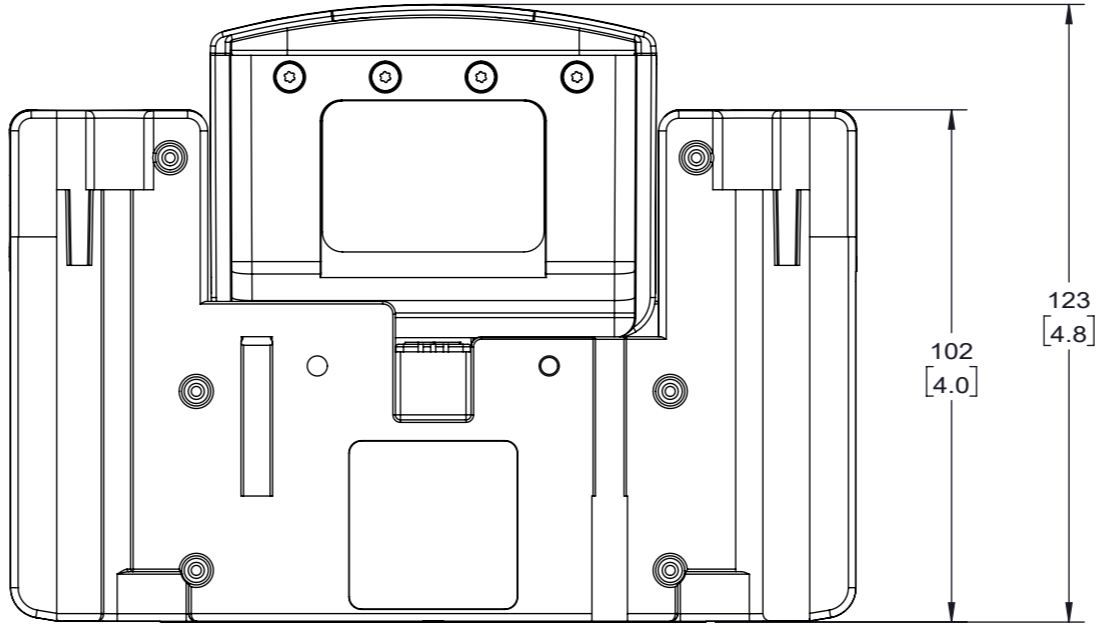
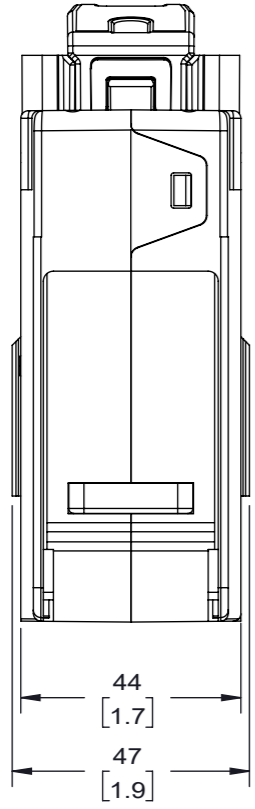
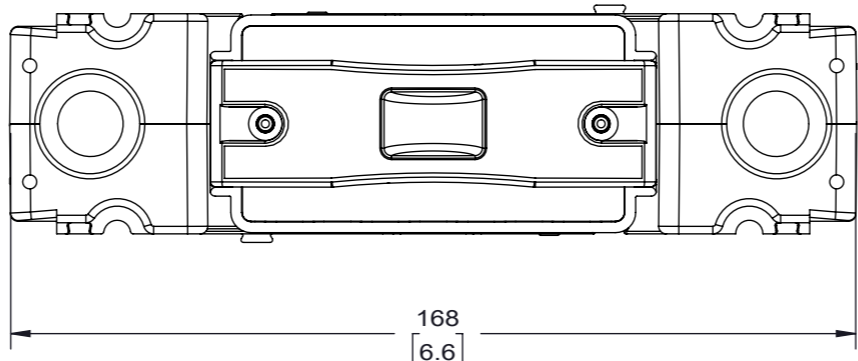
E

D

C

B

A



EATON CORPORATION - CONFIDENTIAL AND PROPRIETARY
 NOTICE TO PERSONS RECEIVING THIS DOCUMENT AND/OR TECHNICAL INFORMATION
 THIS DOCUMENT, INCLUDING THE DRAWING AND INFORMATION CONTAINED THEREON, IS CONFIDENTIAL AND IS THE EXCLUSIVE PROPERTY OF EATON CORPORATION AND IS MERELY ON LOAN AND SUBJECT TO RECALL BY EATON AT ANY TIME. BY TAKING POSSESSION OF THE DOCUMENT, THE RECIPIENT ACKNOWLEDGES AND AGREES THAT THIS DOCUMENT CANNOT BE USED IN ANY MANNER ADVERSE TO THE INTERESTS OF EATON AND THAT NO PORTION OF THIS DOCUMENT MAY BE COPIED OR OTHERWISE REPRODUCED WITHOUT THE PRIOR WRITTEN CONSENT OF EATON. IN THE CASE OF CONFLICTING CONTRACTUAL PROVISIONS, THIS NOTICE SHALL GOVERN THE STATUS OF THIS DOCUMENT.
 © 2012 Eaton Corporation. All Rights Reserved.

THIS DRAWING IS AN UNCONTROLLED COPY IF PRINTED OR SENT ELECTRONICALLY. DO NOT SCALE DRAWING
 GENERAL DRAWING PRACTICES IN ACCORDANCE WITH ASME - Y14.100-2004
 DIMENSIONS AND TOLERANCES IN ACCORDANCE WITH ASME - Y14.5M-1994
 UNLESS OTHERWISE SPECIFIED DIMENSIONS ARE IN INCHES
 UNLESS OTHERWISE SPECIFIED TOLERANCES TO BE
 FRACTIONAL ± 1/64"
 INCHES ± .005"
 ANGULAR ± 1°
CUSTOMER PRINT
 THIRD ANGLE PROJECTION

EATON BUSSMANN SERIES	
TITLE FUSE HOLDER 400A	
SIZE A3	DWG NO. tcfh400n
SCALE	REV --
SHEET 1 OF 3	

8

7

6

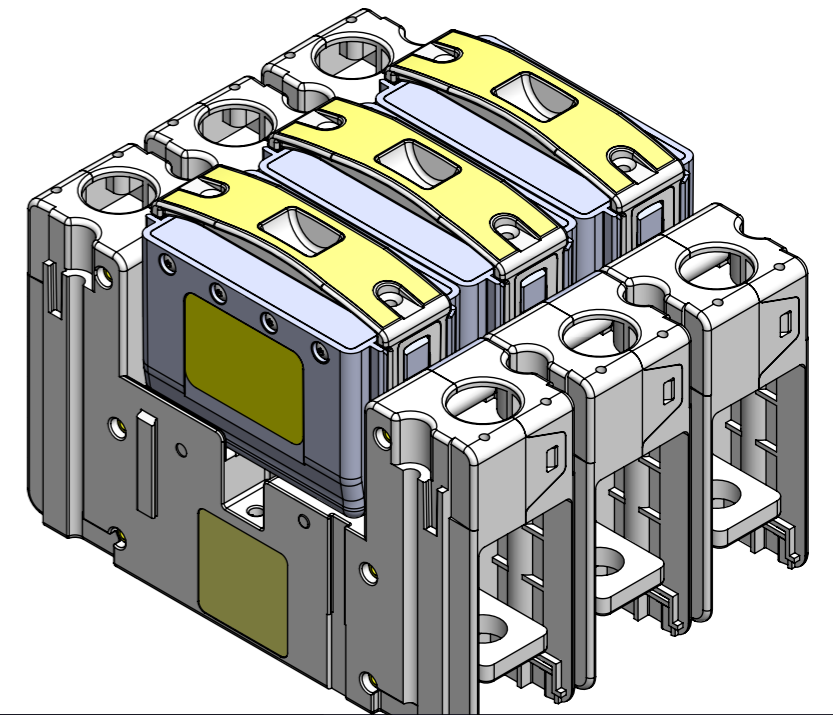
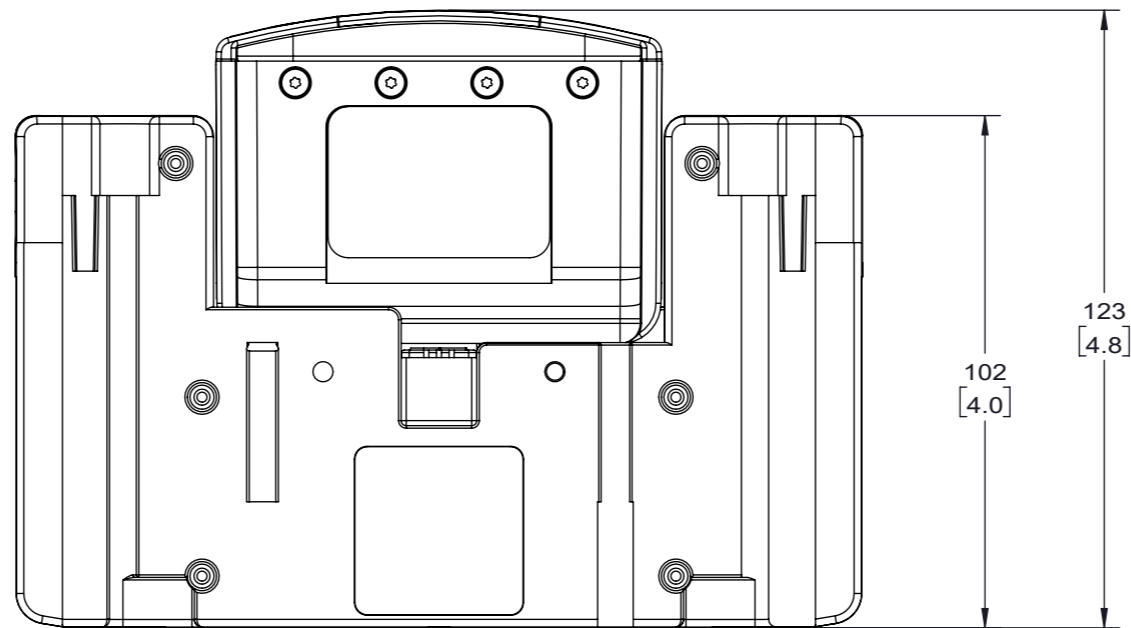
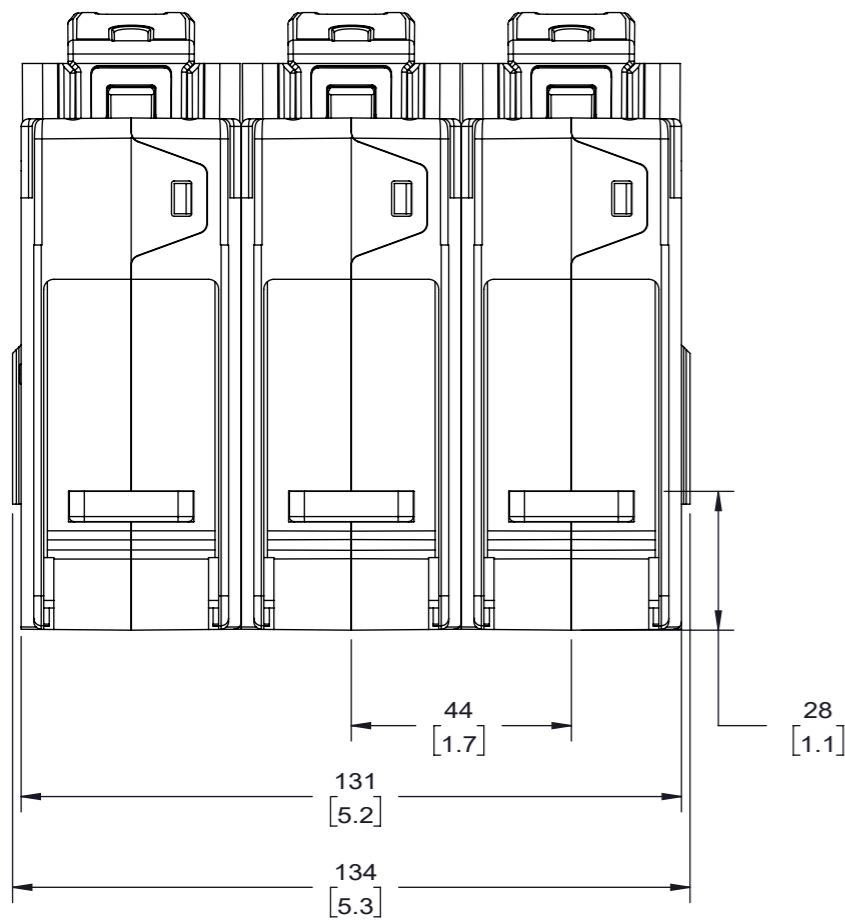
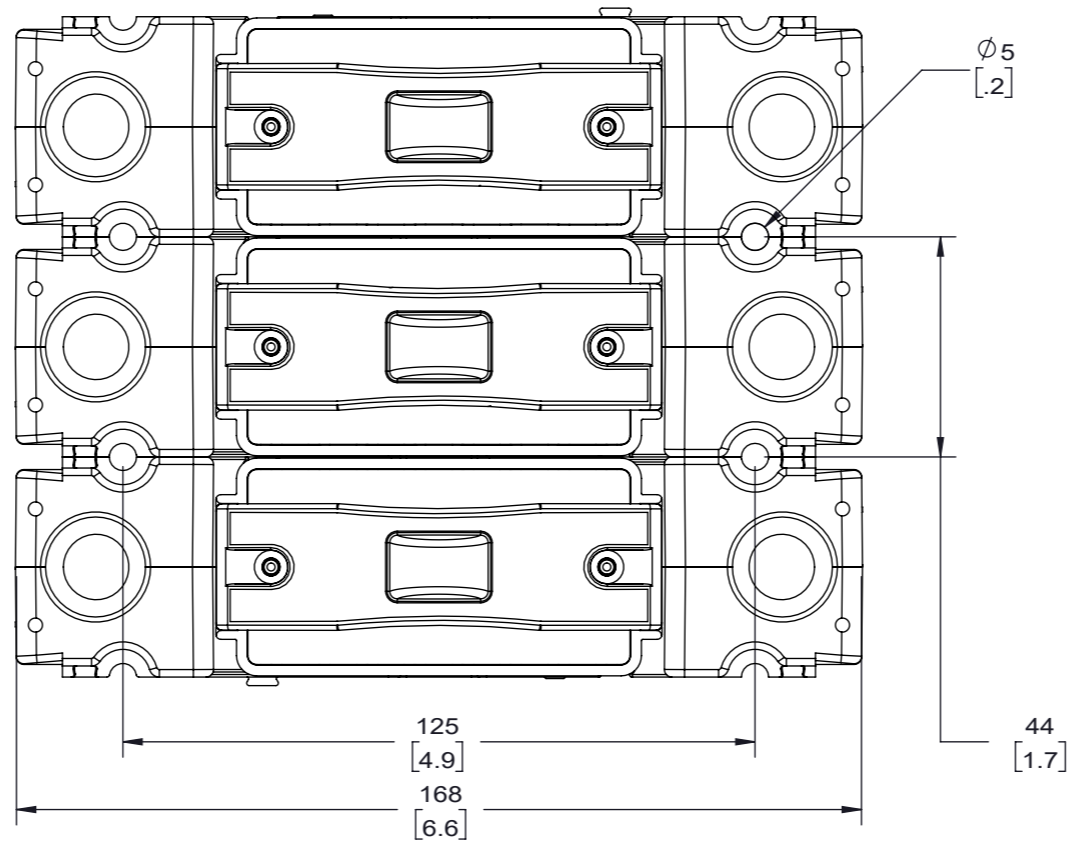
5

4

3

2

1



EATON CORPORATION - CONFIDENTIAL AND PROPRIETARY
 NOTICE TO PERSONS RECEIVING THIS DOCUMENT AND/OR TECHNICAL INFORMATION

THIS DOCUMENT, INCLUDING THE DRAWING AND INFORMATION CONTAINED THEREON, IS CONFIDENTIAL AND IS THE EXCLUSIVE PROPERTY OF EATON CORPORATION AND IS MERELY ON LOAN AND SUBJECT TO RECALL BY EATON AT ANY TIME. BY TAKING POSSESSION OF THE DOCUMENT, THE RECIPIENT ACKNOWLEDGES AND AGREES THAT THIS DOCUMENT CANNOT BE USED IN ANY MANNER ADVERSE TO THE INTERESTS OF EATON AND THAT NO PORTION OF THIS DOCUMENT MAY BE COPIED OR OTHERWISE REPRODUCED WITHOUT THE PRIOR WRITTEN CONSENT OF EATON. IN THE CASE OF CONFLICTING CONTRACTUAL PROVISIONS, THIS NOTICE SHALL GOVERN THE STATUS OF THIS DOCUMENT.

© 2012 Eaton Corporation. All Rights Reserved.

THIS DRAWING IS AN UNCONTROLLED COPY IF PRINTED OR SENT ELECTRONICALLY. DO NOT SCALE DRAWING

GENERAL DRAWING PRACTICES IN ACCORDANCE WITH ASME - Y14.100-2004 DIMENSIONS AND TOLERANCES IN ACCORDANCE WITH ASME - Y14.5M-1994

UNLESS OTHERWISE SPECIFIED DIMENSIONS ARE IN INCHES

UNLESS OTHERWISE SPECIFIED TOLERANCES TO BE

FRACTIONAL ± 1/64"
 INCHES ± .005"
 ANGULAR ± 1°

CUSTOMER PRINT
 THIRD ANGLE PROJECTION

EATON		BUSSMANN SERIES	
TITLE: FUSE HOLDER 400A			
SIZE: A3	DWG NO.: tcfh400n	REV: --	
SCALE: 1:2	SHEET: 2 OF 3		

8 7 6 5 4 3 2 1

F

E

D

C

B

A

F

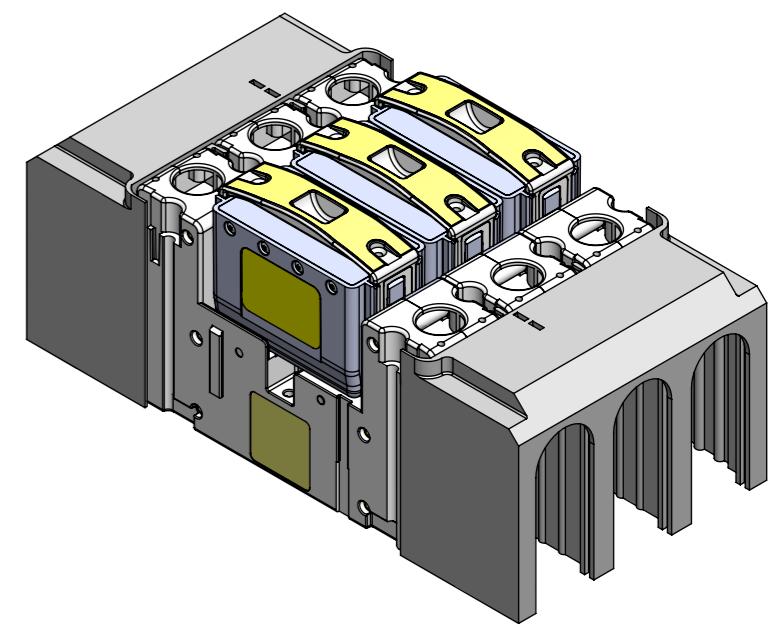
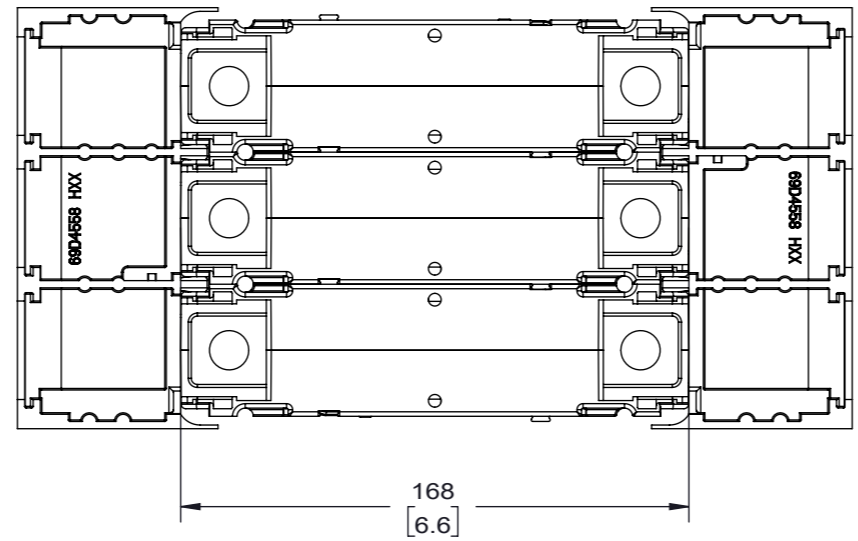
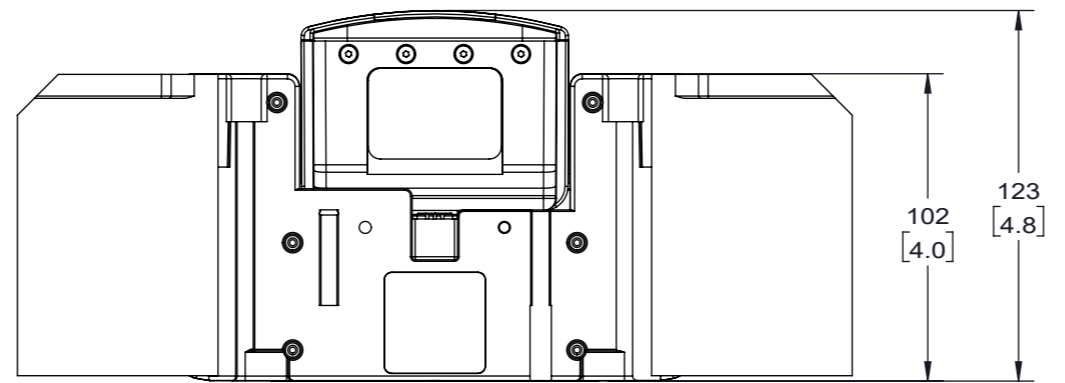
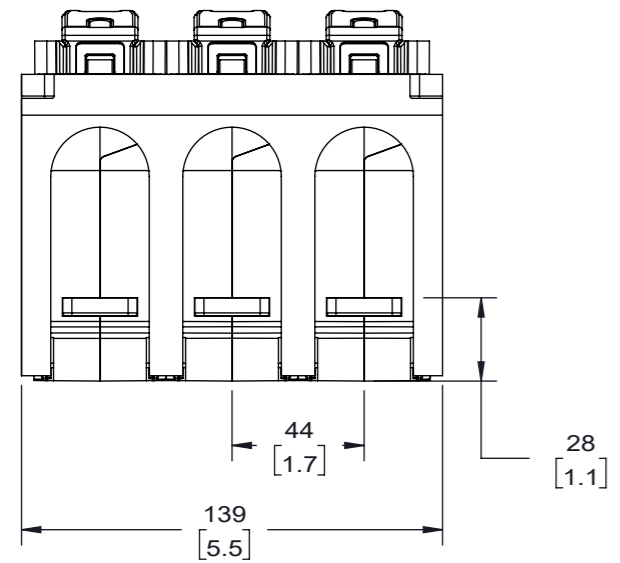
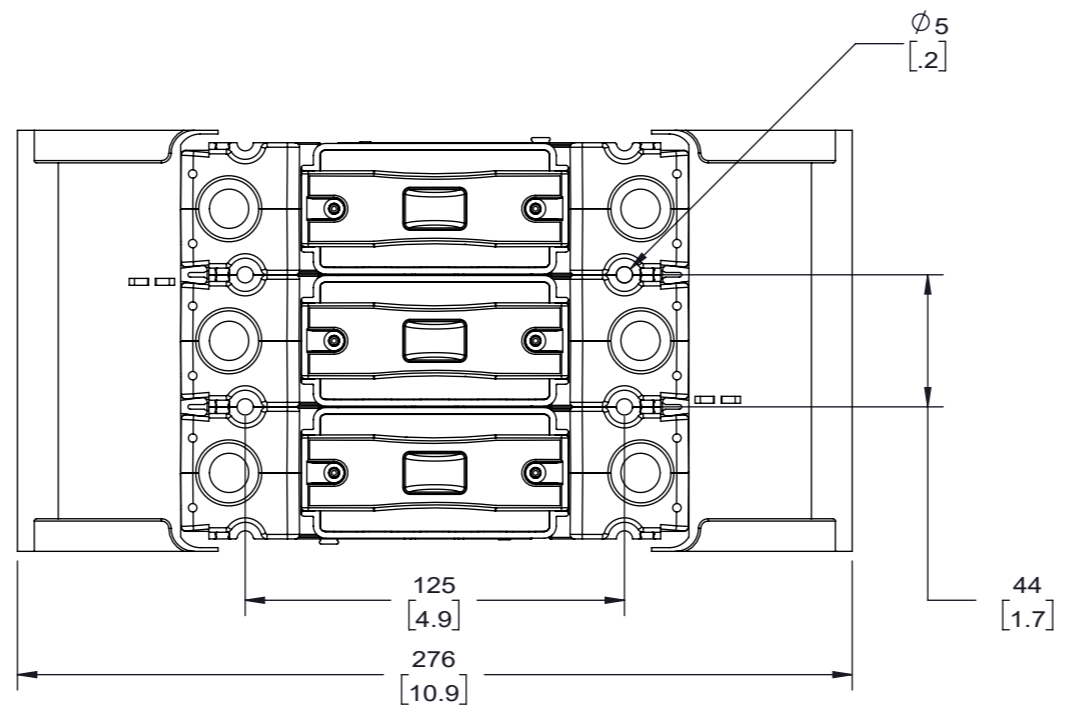
E

D

C

B

A



<p>EATON CORPORATION - CONFIDENTIAL AND PROPRIETARY NOTICE TO PERSONS RECEIVING THIS DOCUMENT AND/OR TECHNICAL INFORMATION</p> <p><small>THIS DOCUMENT, INCLUDING THE DRAWING AND INFORMATION CONTAINED THEREON, IS CONFIDENTIAL AND IS THE EXCLUSIVE PROPERTY OF EATON CORPORATION AND IS MERELY ON LOAN AND SUBJECT TO RECALL BY EATON AT ANY TIME. BY TAKING POSSESSION OF THE DOCUMENT, THE RECIPIENT ACKNOWLEDGES AND AGREES THAT THIS DOCUMENT CANNOT BE USED IN ANY MANNER ADVERSE TO THE INTERESTS OF EATON AND THAT NO PORTION OF THIS DOCUMENT MAY BE COPIED OR OTHERWISE REPRODUCED WITHOUT THE PRIOR WRITTEN CONSENT OF EATON. IN THE CASE OF CONFLICTING CONTRACTUAL PROVISIONS, THIS NOTICE SHALL GOVERN THE STATUS OF THIS DOCUMENT.</small></p> <p><small>© 2012 Eaton Corporation. All Rights Reserved.</small></p>		<p><small>THIS DRAWING IS AN UNCONTROLLED COPY IF PRINTED OR SENT ELECTRONICALLY. DO NOT SCALE DRAWING</small></p> <p>GENERAL DRAWING PRACTICES IN ACCORDANCE WITH ASME - Y14.100-2004 DIMENSIONS AND TOLERANCES IN ACCORDANCE WITH ASME - Y14.5M-1994</p> <p>UNLESS OTHERWISE SPECIFIED DIMENSIONS ARE IN INCHES</p> <p>UNLESS OTHERWISE SPECIFIED TOLERANCES TO BE</p> <p>FRACTIONAL ± 1/64" INCHES ± .005" ANGULAR ± 1°</p>		<p>EATON BUSSMANN SERIES</p>	
<p>TITLE</p> <p>FUSE HOLDER 400A</p>		<p>SIZE DWG NO.</p> <p>A3 tcfh400n</p>		<p>REV</p> <p>--</p>	
<p>CUSTOMER PRINT</p> <p>THIRD ANGLE PROJECTION</p>		<p>SCALE: 1:2</p>		<p>SHEET 3 OF 3</p>	

8 7 6 5 4 3 2 1