



The power of space

Next generation Compact Circuit Protector for use with Class CF CUBEFuse™ requires up to 69% less space

Now available up to 400 A

EATON

Powering Business Worldwide



BUSSMANN
SERIES

Compact Circuit Protector - CUBEFuse



The Bussmann series Compact Circuit Protector is a UL 98 Listed branch-circuit disconnect and is now available up to 400 amps.

Symbol	Amps	Description
CCP2-(pole)-30CF	30	
CCP2-(pole)-60CF	60	Switch only
CCP2-(pole)-100CF	100	
CCP2-(pole)-200CF	200	Switch only*
CCP2-(pole)-400CF	400	
CCP2R-(pole)-30CF	30	Right front rotary, clockwise operated switch
CCP2R-(pole)-60CF	60	
CCP2R-(pole)-100CF	100	
CCP2RL(pole)-30CF	30	Left front rotary, clockwise operated switch
CCP2RL(pole)-60CF	60	
CCP2RL(pole)-100CF	100	
CCP2S-(pole)-30CF	30	Right side rotary, clockwise operated switch
CCP2S-(pole)-60CF	60	
CCP2S-(pole)-100CF	100	
CCP2SL(pole)-30CF	30	Left side rotary, counterclockwise operated switch
CCP2SL(pole)-60CF	60	
CCP2SL(pole)-100CF	100	

*Rotary operators for 200 and 400 A CCP are available as accessories, for front or side (left or right) operation. Front rotary operators are available 3-pole switches only, while the side operator may be applied to 1-, 2- or 3-pole units.

The revolutionary Bussmann™ series Compact Circuit Protector (CCP) for Class CF Low-Peak™ CUBEFuse™ delivers the smallest footprint compared to any Class J disconnect solution – requiring up to **69% less space**.

The CCP is a UL® 98 Listed fused, branch-circuit disconnect that packs up to a 200 kA short-circuit current rating (SCCR) at 600 V to help increase equipment SCCR. These high ratings and compact design make the CCP ideal for industrial control panels, machinery and HVAC applications.

Features

- Requires up to 69% less space than traditional fusible switches, which saves valuable panel space
- Rotary operated versions provide through-the-door and through-the-side operation flexibility for enhanced safety
- Multi-wire lug kits with terminal shrouds reduce wire connection and control panel components by allowing for power distribution to multiple loads
- Optional selector and pistol handles available for use with rotary operated versions
- Built-in switch interlock prohibits removing the fuse under load
- Standard open fuse indication light speeds troubleshooting
- 1/4" lockout/tagout provision enhances safety
- Straight voltage rated for application flexibility



Space savings of 69%
Footprint of a CCP2-3-200CF compared to the footprint of a traditional, 3-pole Class J disconnect solution.



BUSSMANN
SERIES

Compact Circuit Protector - CUBEFuse

Ratings:

Volts:

- 347 Vac (1-pole)
- 600 Vac (2- and 3-pole)
- 125 Vdc (up to 100 A)

Amps:

- 30 A
- 60 A
- 100 A
- 200 A
- 400 A

SCCR:

- 200 kA RMS Sym.
- 100 kA DC (up to 100 A)

Poles:

Factory configured 1-, 2- and 3-pole

Agency information:

- UL 98 Listed, Guide WHTY, File E302370
- cULus to Canadian Standard 22.2 No. 4-04, Guide WHTY7, File E302370
- CE
- RoHS compliant

Construction:

Finger-safe design

Operating temperature:

-20°C to 75°C*

Mounting:

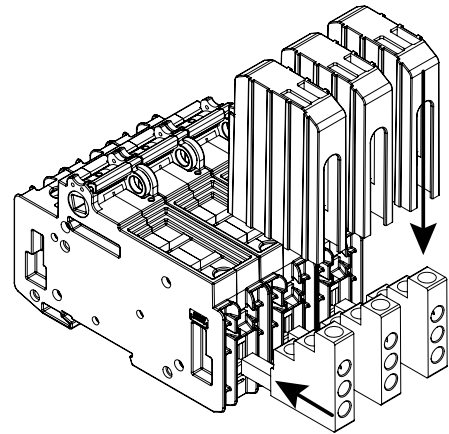
- Panel mount
- 35 mm DIN-Rail (up to 100 A)

Accessories:

- Multi-wire lug kits with terminal shrouds
- Selector and pistol handles for use with rotary operated switches
- NFPA 79 compliant handles
- Handle shafts
- Auxiliary contacts



1-, 2-, and 3-pole CCP2-30CF



Multi-wire lugs mount in switch box lug terminals to provide additional wire ports per pole.

See data sheet no. [10801](#) (CCP) and [1161](#) (CCPB) for complete technical information. Or [click here](#) to go to the product detail webpage.

* For fuse performance under or above 25°C, consult fuse performance charts in Eaton's Bussmann series Selecting Protective Devices (SPD) handbook (Pub. no. 3002).



3-pole 60 A CCP shown with left through-the-front rotary operator.



3-pole 60 A CCP shown with right through-the-side rotary operator.



3-pole 200 A CCP shown with right through-the-side rotary operator.



3-pole 200 A CCP shown with front through-the-door rotary operator.



3-pole 400 A CCP shown with front through-the-door rotary operator.



Eaton
1000 Eaton Boulevard
Cleveland, OH 44122
United States
Eaton.com

Bussmann Division
114 Old State Road
Ellisville, MO 63021
United States
Eaton.com/bussmannseries

© 2021 Eaton
All Rights Reserved
Publication No. 10809
October 2021

Eaton, Bussmann, CUBEFuse and Low-Peak are valuable trademarks of Eaton in the US and other countries. You are not permitted to use the Eaton trademarks without prior written consent of Eaton.

UL is a registered trademark of the Underwriters Laboratories, Inc.

For Eaton's Bussmann series product information, call **1-855-287-7626** or visit: **Eaton.com/bussmannseries**

Follow us on social media to get the latest product and support information.

