

EAT•N
BUSSMANN
SERIES

**Compact
Circuit
Protector (CCP)
Accessory**

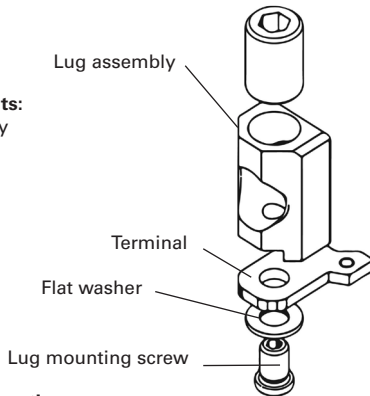
**For
200 A Frame
and
200/225 A
CUBEFuse
holders
(TCFH_N)**

Eaton
Bussmann Division
St. Louis, MO 63178
Eaton.com/bussmannseries

Made in Dominican
Republic
PUB10693
3A3759 Rev C

Aluminum Lug Assembly
Catalog No. CCP2-L2-1A
Quantity - 1
File: E64983

Package contents:
(1) lug assembly
(1) screw
(1) washer



Installation instructions:

- Position lug on top of terminal as shown.
- Attach mounting screw and flat washer to lug and tighten to 13.5 N•m (120 lb-in).

Cu/AL wire range

#4-350 kcmil 250 lbs-in

25-185 mm² 28.2 N•m

