

EAT•N
BUSSMANN
SERIES

**Compact
Circuit
Protector (CCP)
Accessory**

**For
200 A Frame
and
200/225 A
CUBEFuse
holders
(TCFH_N)**

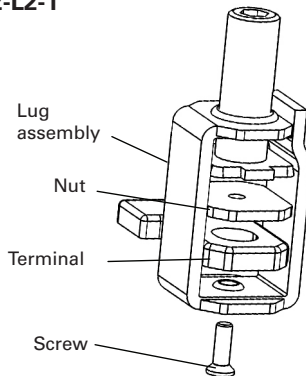
Eaton
Bussmann Division
St. Louis, MO 63178
Eaton.com/bussmannseries

Made in Dominican
Republic
PUB10692
3A3758 Rev A

Stainless Steel Lug Assembly
Catalog No. CCP2-L2-1
Quantity - 1
File: E64983

Package contents:

- (1) lug assembly
- (1) nut
- (1) screw



Installation instructions:

- Insert lug, enclosing terminal as shown.
- Locate nut on top of terminal and tighten securely with screw to 0.9 N•m (8 lbs-in).

Caution: Lug must surround terminal.

Cu wire range 75° C

#4-350 kcmil 180 lbs-in

25-185 mm² 20.3 N•m



051712747578