	<b>⚠ DANGER</b>
	<b>HAZARD OF ELECTRIC SHOCK, EXPLOSION OR ARC FLASH</b>
	<b>MAY RESULT IN DEATH OR SERIOUS INJURY</b>

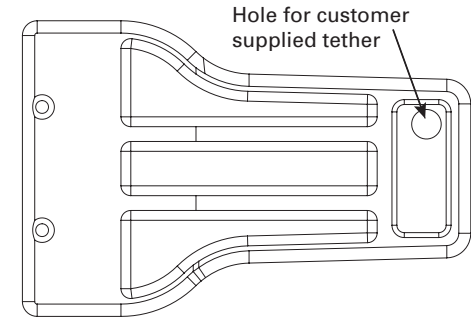
Working on or near energized circuits poses a serious risk of electric shock. De-energize all circuits before installing or servicing this equipment and follow all prescribed safety procedures.

These instructions cover the handle extension (catalog no. CCP2-HEX) that fits:

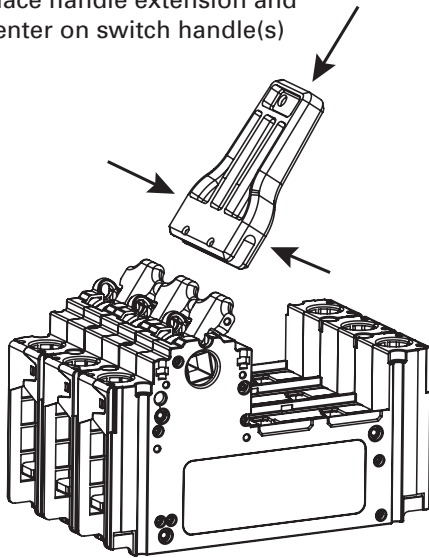
- Compact Circuit Protector catalog numbers CCP2-(pole)-200CF, CCP2-(pole)-225CF, CCP2-(pole)-400CF
- Compact Circuit Disconnect catalog numbers CCD2-(pole)-200 and CCD2-(pole)-400.

The handle extension can be used on 1-, 2- and 3-pole switches.  
A hole is provided in the handle for use with a customer supplied tether.

# BUSSMANN SERIES



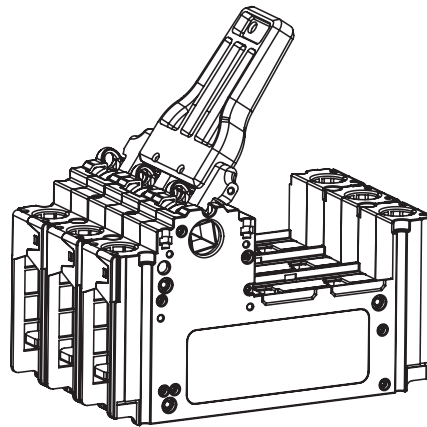
Place handle extension and center on switch handle(s)



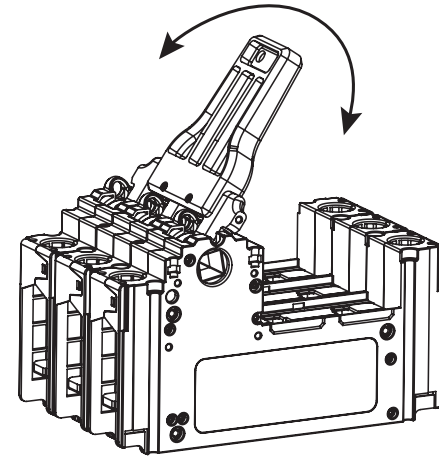
**Step 1:**

Place and center handle extension on switch handle(s) until fully seated.

Fully seat handle extension on switch handle(s).



Apply upward or downward pressure on handle extension to cycle switch.



**Step 2:**

Apply force on handle extension to cycle switch.