	⚠ DANGER
	<p>HAZARD OF ELECTRIC SHOCK, EXPLOSION OR ARC FLASH</p> <p>MAY RESULT IN DEATH OR SERIOUS INJURY</p> <p>Working on or near energized circuits poses a serious risk of electric shock. De-energize all circuits before installing or servicing this equipment and follow all prescribed safety procedures.</p>

	⚠ PELIGRO
	<p>RIESGO DE DESCARGA ELÉCTRICA, EXPLOSIÓN O ARCO ELÉCTRICO</p> <p>PUEDE CAUSAR LESIONES GRAVES O INCLUSO LA MUERTE</p> <p>Trabajar en o cerca de circuitos energizados representa un grave riesgo de descarga eléctrica. Desconecte todos los circuitos antes de realizar alguna instalación o de dar servicio a este equipo y siga todos los procedimientos de seguridad indicados.</p>

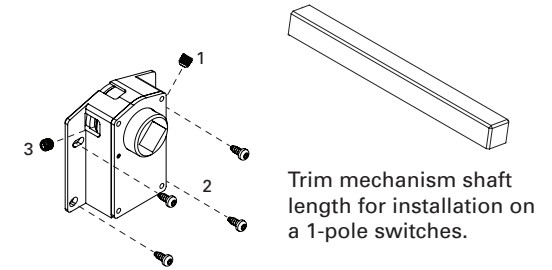
	⚠ DANGER
	<p>RISQUE D'ÉLECTROCUTION, D'EXPLOSION OU D'ARC ÉLECTRIQUE</p> <p>RISQUE DE MORT OU DE BLESSURES GRAVES</p> <p>Travailler sur des circuits sous tension ou à proximité pose un risque grave de choc électrique. Mettez tous les circuits hors tension avant d'installer ou d'effectuer l'entretien de cet équipement et suivre toutes les procédures de sécurité prescrites.</p>

BUSSMANN SERIES

These instructions cover the following Compact Circuit Protector catalog numbers:
 CCP2-(poles)-200CF
 CCP2-(poles)-400CF
 CCD2-3-200
 CCD2-3-400

Installation on 1- pole switches requires cutting the rotary mechanism shaft.

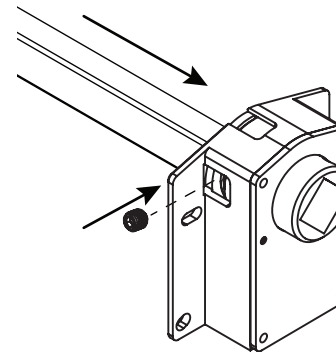
1. M4x4 mechanism shaft setscrew, use 2 mm Allen wrench, torque to 2 N•m (17.7 lb-in).
2. Rotary mechanism mounting screws, use T10 star screwdriver, torque to 1 N•m (8.8 lb-in).
3. M4x4 handle shaft setscrew, use 2 mm Allen wrench, torque to 2 N•m (17.7 lb-in).



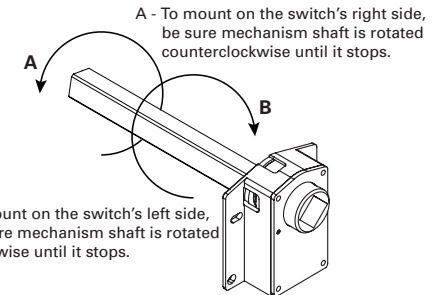
The side rotary mechanism mounts on either the right or left side, and fits all pole configurations. If installing the optional auxiliary contact switch, the contact switch mechanism must be mounted on the opposite side from the rotary mechanism.

NOTE: Installation requires the following tools:

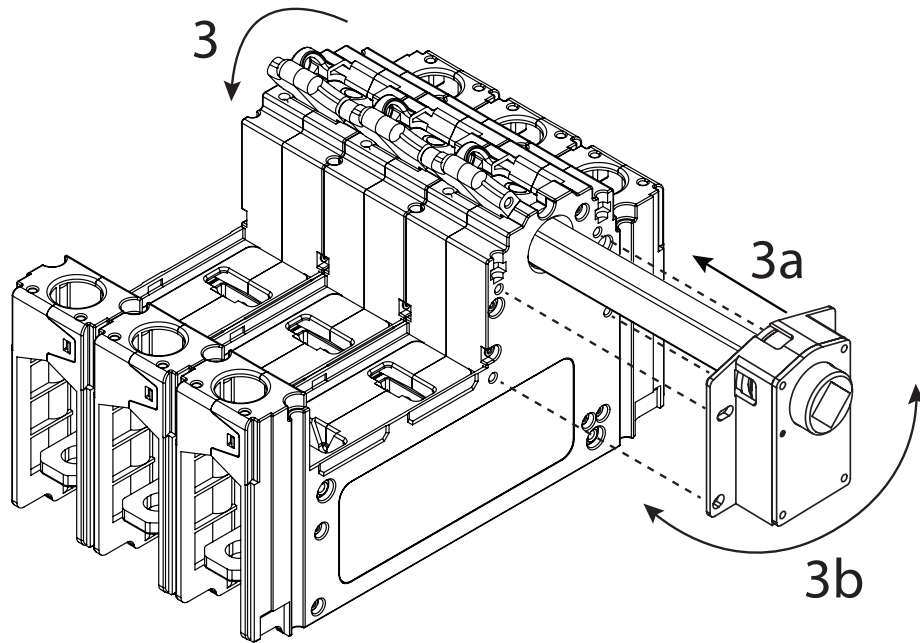
- 2 mm Allen wrench
- T10 star screwdriver
- Hacksaw (if trimming switch shaft length)



1. Insert mechanism shaft into side rotary mechanism and torque setscrew to 2 N•m (17.7 lb-in).



2. Prepare side mechanism/shaft assembly for installation.
 - 2a. For right side mounting/operation, rotate the shaft counterclockwise as shown above.
 - 2b. For left side mounting/operation, rotate the shaft clockwise as shown above.

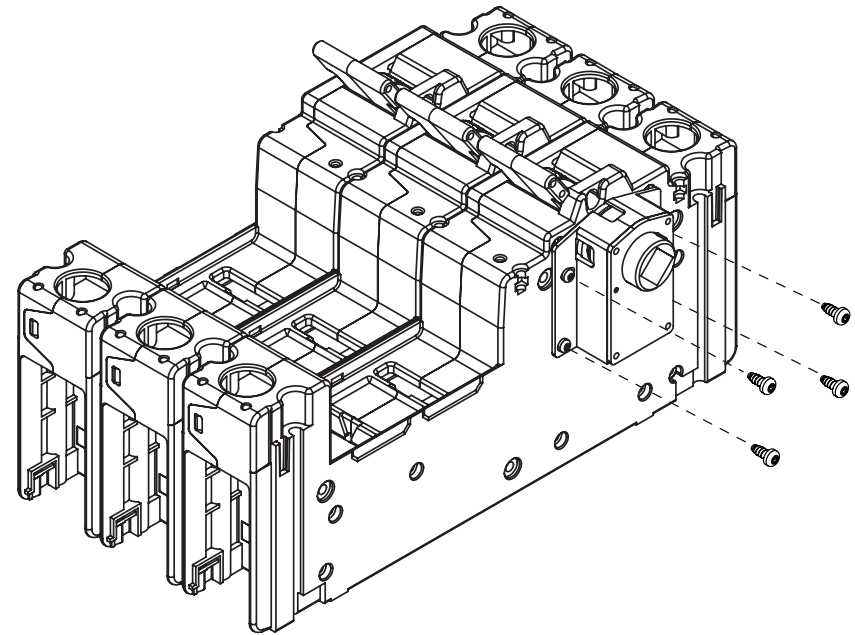


3. Place switch in the OFF position.

3a. Insert rotary mechanism shaft into switch side as shown until fully seated.

Note: For installation on 1-pole switches, trim mechanism shaft so it does not extend beyond the other side of the switch.

3b. Rotate the side mechanism so that its screw holes align with switch screw holes as shown and proceed to Step 4.



4. Insert the four rotary mechanism mounting screws and torque to 1 N•m (8.8 lb-in). Side rotary mechanism installation is now complete.

5. Proceed to mount switch assembly and install operating handle(s) according to supplied instructions.