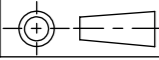
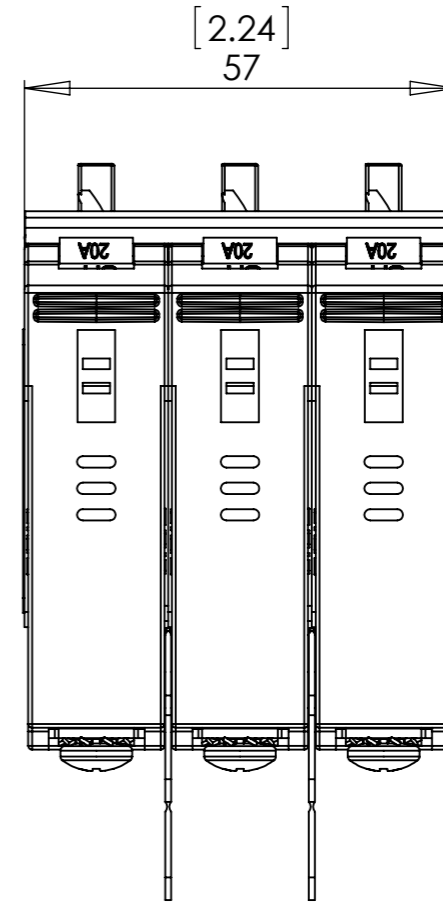
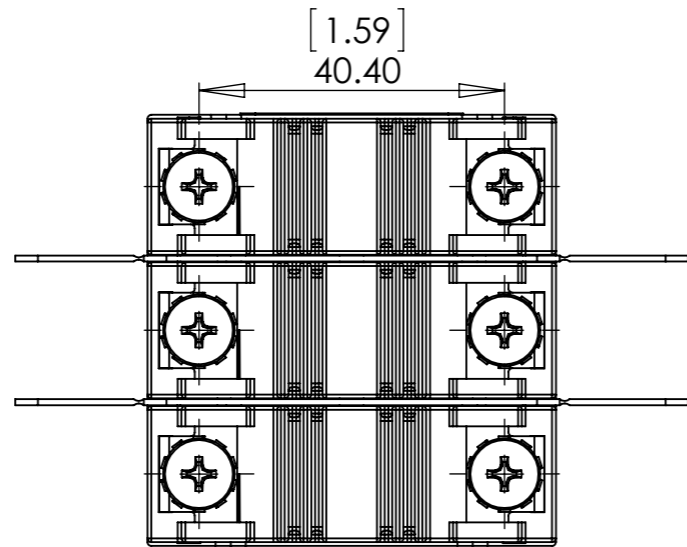
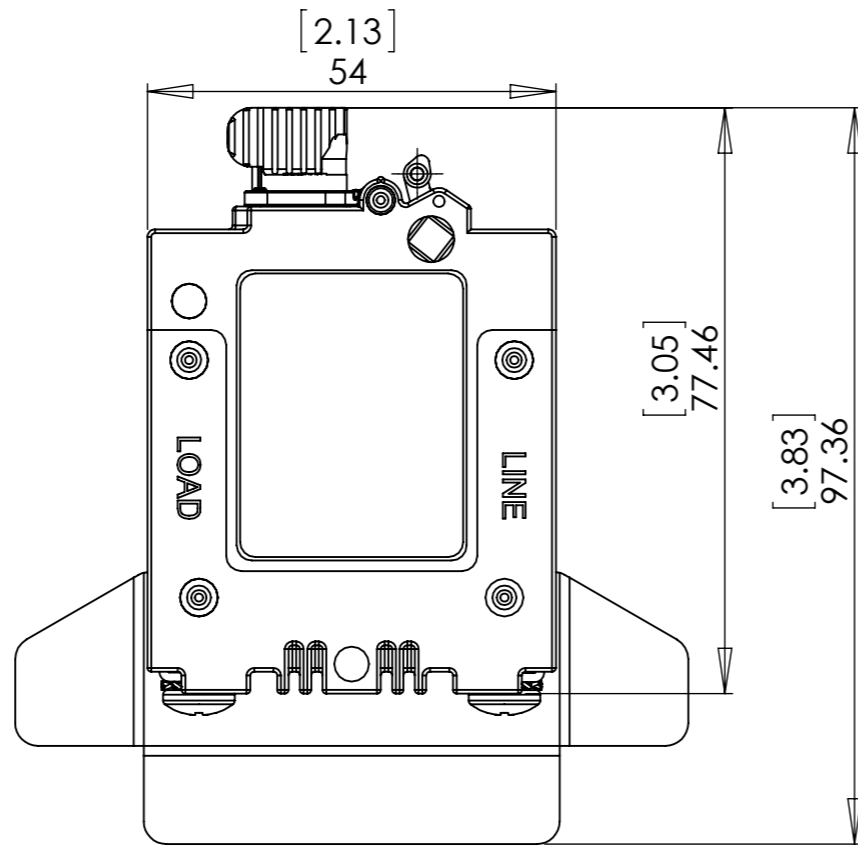
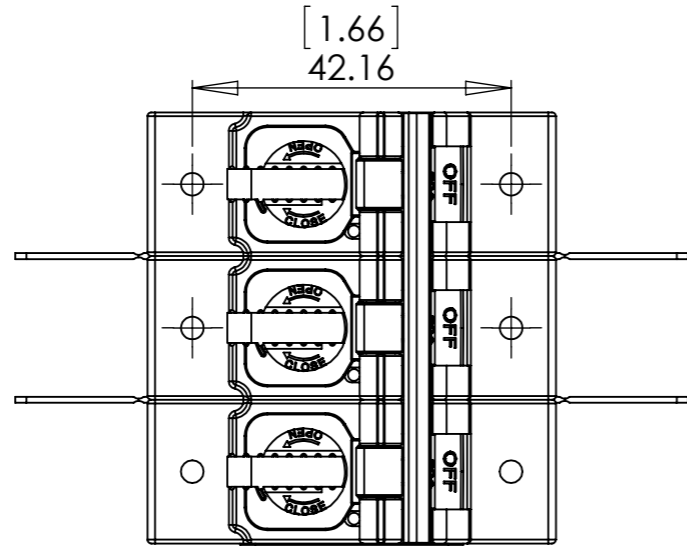


DESIGN UNITS: METRIC (mm)  
UNLESS OTHERWISE SPECIFIED  
[INCHES]



THIRD ANGLE PROJECTION



**Bussmann**  
by **E.T.N.** St. Louis MO 63178

TITLE:  
**CCPLP -3-20G-S**

SCALE: 1:1 SIZE: A3 SHEET: 1 OF 1