

8 7 6 5 4 3 2 1

F

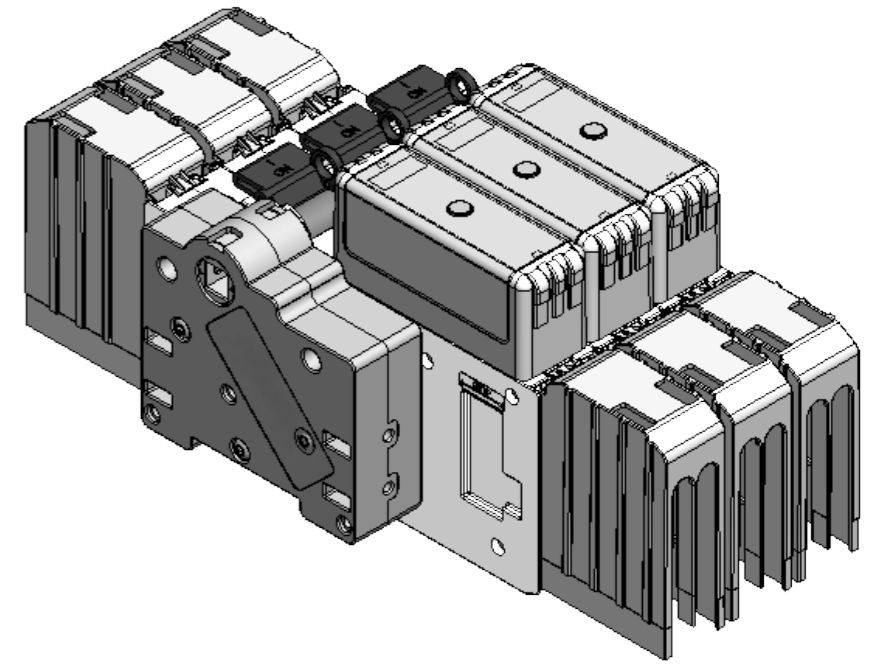
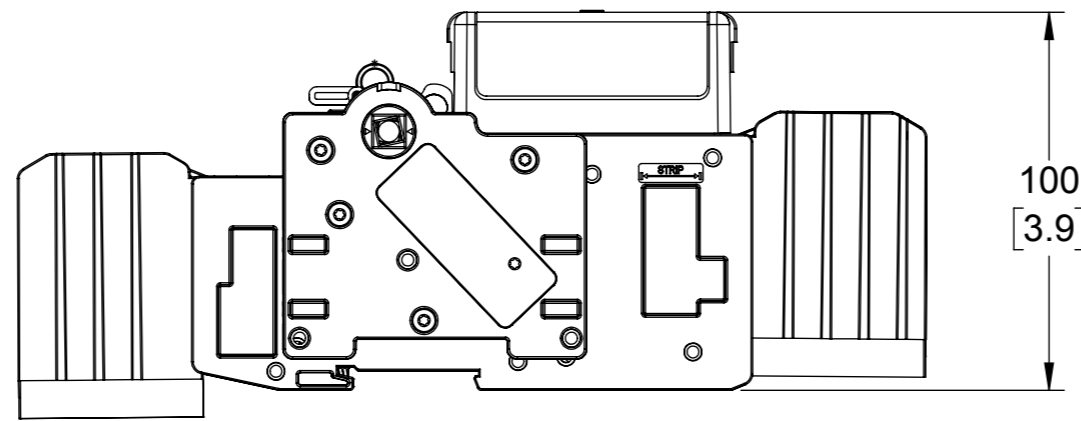
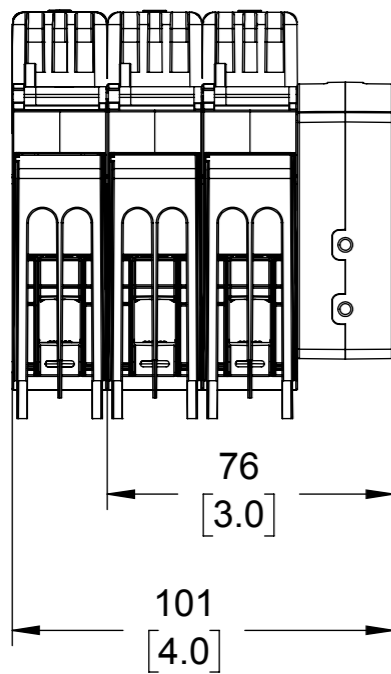
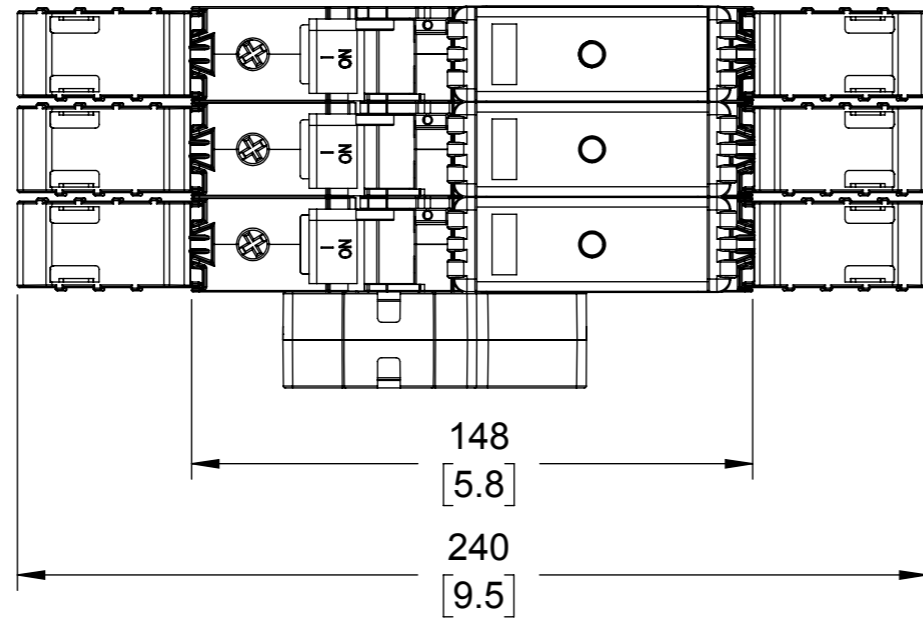
E

D

C

B

A



**EATON CORPORATION - CONFIDENTIAL AND PROPRIETARY**  
 NOTICE TO PERSONS RECEIVING THIS DOCUMENT AND/OR TECHNICAL INFORMATION  
 THIS DOCUMENT, INCLUDING THE DRAWING AND INFORMATION CONTAINED THEREON, IS CONFIDENTIAL AND IS THE EXCLUSIVE PROPERTY OF EATON CORPORATION AND IS MERELY ON LOAN AND SUBJECT TO RECALL BY EATON AT ANY TIME. BY TAKING POSSESSION OF THE DOCUMENT, THE RECIPIENT ACKNOWLEDGES AND AGREES THAT THIS DOCUMENT CANNOT BE USED IN ANY MANNER ADVERSE TO THE INTERESTS OF EATON AND THAT NO PORTION OF THIS DOCUMENT MAY BE COPIED OR OTHERWISE REPRODUCED WITHOUT THE PRIOR WRITTEN CONSENT OF EATON. IN THE CASE OF CONFLICTING CONTRACTUAL PROVISIONS, THIS NOTICE SHALL GOVERN THE STATUS OF THIS DOCUMENT.  
 © 2012 Eaton Corporation. All Rights Reserved.

THIS DRAWING IS AN UNCONTROLLED COPY IF PRINTED OR SENT ELECTRONICALLY. DO NOT SCALE DRAWING  
 GENERAL DRAWING PRACTICES IN ACCORDANCE WITH ASME - Y14.100-2004  
 DIMENSIONS AND TOLERANCES IN ACCORDANCE WITH ASME - Y14.5M-1994  
 UNLESS OTHERWISE SPECIFIED DIMENSIONS ARE IN INCHES  
 UNLESS OTHERWISE SPECIFIED TOLERANCES TO BE  
 FRACTIONAL ± 1/64"  
 INCHES ± .005"  
 ANGULAR ± 1°  
**CUSTOMER PRINT**  
 THIRD ANGLE PROJECTION

<b>EATON</b> BUSSMANN SERIES		TITLE
SIZE	DWG NO.	REV
<b>A3</b>	<b>CCP2SL-3-100CF</b>	<b>--</b>
SCALE: 1:2	SHEET 1 OF 1	

8 7 6 5 4 3 2 1

F

E

D

C

B

A

SLAJ\_BUBS\_JAE\_GENRIL\_REV\_A