

SG07911



## Description

- Innovative, high-quality residual current device / miniature circuit breaker combination, line voltage-dependent
- Design width of one module unit only
- Specific for applications in the BS-distribution systems, permanently connected neutral conductors
- Contact position indicator red - green
- Comprehensive range of accessories can be mounted subsequently
- Guide for secure terminal connection
- Wide variety of rated tripping currents
- Rated currents up to 45 A
- Tripping Characteristic C
- Rated breaking capacity 10 kA

$I_n/I_{\Delta n}$ (A)	Type Designation	Article No.	Units per package
---------------------------	---------------------	-------------	----------------------

**Type AC**

**10 kA, 1+N-pole  
Conditionally surge current-proof 250 A, type AC**

SG07911



**Characteristic C**

6/0.01	eRBM-6/1/C/001-ME	153230	1/30
8/0.01	eRBM-8/1/C/001-ME	153231	1/30
10/0.01	eRBM-10/1/C/001-ME	153232	1/30
13/0.01	eRBM-13/1/C/001-ME	153233	1/30
16/0.01	eRBM-16/1/C/001-ME	153234	1/30
20/0.01	eRBM-20/1/C/001-ME	153235	1/30
25/0.01	eRBM-25/1/C/001-ME	153236	1/30
32/0.01	eRBM-32/1/C/001-ME	153237	1/30
40/0.01	eRBM-40/1/C/001-ME	153238	1/30
45/0.01	eRBM-45/1/C/001-ME	153239	1/30
6/0.03	eRBM-6/1/C/003-ME	153240	1/30
8/0.03	eRBM-8/1/C/003-ME	153241	1/30
10/0.03	eRBM-10/1/C/003-ME	153242	1/30
13/0.03	eRBM-13/1/C/003-ME	153243	1/30
16/0.03	eRBM-16/1/C/003-ME	153244	1/30
20/0.03	eRBM-20/1/C/003-ME	153245	1/30
25/0.03	eRBM-25/1/C/003-ME	153246	1/30
32/0.03	eRBM-32/1/C/003-ME	153247	1/30
40/0.03	eRBM-40/1/C/003-ME	153248	1/30
45/0.03	eRBM-45/1/C/003-ME	153249	1/30
6/0.1	eRBM-6/1/C/01-ME	153250	1/30
8/0.1	eRBM-8/1/C/01-ME	153251	1/30
10/0.1	eRBM-10/1/C/01-ME	153252	1/30
13/0.1	eRBM-13/1/C/01-ME	153253	1/30
16/0.1	eRBM-16/1/C/01-ME	153254	1/30
20/0.1	eRBM-20/1/C/01-ME	153255	1/30
25/0.1	eRBM-25/1/C/01-ME	153256	1/30
32/0.1	eRBM-32/1/C/01-ME	153257	1/30
40/0.1	eRBM-40/1/C/01-ME	153258	1/30
45/0.1	eRBM-45/1/C/01-ME	153259	1/30
6/0.3	eRBM-6/1/C/03-ME	153260	1/30
8/0.3	eRBM-8/1/C/03-ME	153261	1/30
10/0.3	eRBM-10/1/C/03-ME	153262	1/30
13/0.3	eRBM-13/1/C/03-ME	153263	1/30
16/0.3	eRBM-16/1/C/03-ME	153264	1/30
20/0.3	eRBM-20/1/C/03-ME	153265	1/30
25/0.3	eRBM-25/1/C/03-ME	153266	1/30
32/0.3	eRBM-32/1/C/03-ME	153267	1/30
40/0.3	eRBM-40/1/C/03-ME	153268	1/30
45/0.3	eRBM-45/1/C/03-ME	153269	1/30

## Specifications | Electronic Combined RCD/MCB Devices eRBM-ME, 1+N-pole, 1MU

### Description

- Electronic residual current device / miniature circuit breaker combination in only 1MU
- Tripping line voltage dependent
- Contact position indicator red - green
- Can be sealed with leads in the ON and OFF position
- Colour coded switching toggle (designating the rated current)
- Permanently connected neutral conductor (950 mm long, black)
- Special application in British-Standard-Distribution Boxes
- Can be connected to standard busbar (at the lower side)
- Comprehensive range of accessories can be mounted subsequently

### Accessories:

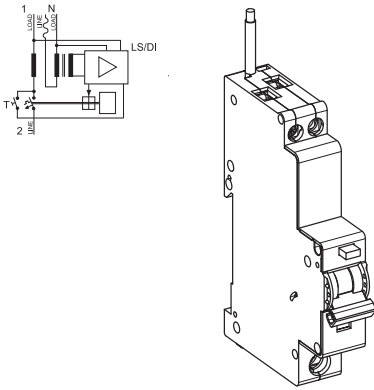
Auxiliary switch for subsequent installation	Z-AHK	248433
Tripping signal switch for subsequent installation	Z-NHK	248434
Shunt trip release	Z-ASA/..	248286, 248287
Tripping module	Z-KAM	248294

### Technical Data

		eRBM-ME, 1+N-pole, 1MU
<b>Electrical</b>		
Design according to		BS/EN 61009
Current test marks as printed onto the device		
Number of poles		1+N-pole, pole switched, N led through (solid neutral)
Rated voltage	$U_n$	240 VAC
Rated frequency		50 Hz
Rated current	$I_n$	6 - 45 A
Rated tripping current	$I_{\Delta n}$	10, 30, 100, 300 mA
Sensitivity		AC
<b>Tripping Characteristic RCD component</b>		
Tripping line voltage dependent		instantaneous
Peak withstand current		250 A (8/20 $\mu$ s)
Rated non-tripping current	$I_{\Delta no}$	0.5 $I_{\Delta n}$
Voltage range for protective function		184 - 264 V~
<b>Tripping Characteristic MCB component</b>		
Conventional non-tripping current		1.13 $I_n$
Conventional tripping current		1.45 $I_n$
Reference temperature		30°C
Characteristic		C
Rated breaking capacity		10 kA
Selectivity class		3
Maximum back-up fuse (short circuit)		100 A gL (>6 kA)
Endurance		
electrical components		$\geq 4,000$ switching operations
mechanical components		$\geq 20,000$ switching operations
<b>Mechanical</b>		
Frame size		45 mm
Device height		102.6 mm
Device width		17.7 mm (1MU)
Mounting		quick fastening with 2 lock-in positions on DIN rail IEC/EN 60715
Degree of protection, switch		IP20
Degree of protection, built-in		IP40
Upper terminals		lift terminals
Lower terminals		open mouthed/lift terminals
Terminal protection		finger and hand touch safe, DGUV VS3, EN 50274
Terminal capacity		1 - 25 mm <sup>2</sup>
Terminal torque		2 - 2.4 Nm
Busbar thickness		0.8 - 2 mm
Tripping temperature		-25°C to +40°C
Storage- and transport temperature		-35°C to +60°C
Resistance to climatic conditions		25-55°C/90-95% relative humidity according to IEC 60068-2

Connection diagram

1+N-pole



Dimensions (mm)

