

SG07911



## Description

- Innovative, high-quality residual current device / miniature circuit breaker combination, line voltage-dependent
- Design width of one module unit only
- Specific for applications in the BS-distribution systems, permanently connected neutral conductors
- Contact position indicator red - green
- Comprehensive range of accessories can be mounted subsequently
- Guide for secure terminal connection
- Wide variety of rated tripping currents
- Rated currents up to 45 A
- Tripping characteristics B, C, D
- Rated breaking capacity 10 kA

$I_n/I_{\Delta n}$ (A)	Type Designation	Article No.	Units per package
---------------------------	---------------------	-------------	----------------------

**Type A**

**10 kA, 1+N-pole**  
**Conditionally surge current-proof 250 A, sensitive to residual pulsating DC, type A**

SG07911



**Characteristic B**

6/0.01	eRBM-6/1/B/001-A-AU	151445	1/30
8/0.01	eRBM-8/1/B/001-A-AU	151446	1/30
10/0.01	eRBM-10/1/B/001-A-AU	151447	1/30
13/0.01	eRBM-13/1/B/001-A-AU	151448	1/30
16/0.01	eRBM-16/1/B/001-A-AU	151449	1/30
20/0.01	eRBM-20/1/B/001-A-AU	151450	1/30
25/0.01	eRBM-25/1/B/001-A-AU	151451	1/30
32/0.01	eRBM-32/1/B/001-A-AU	151452	1/30
40/0.01	eRBM-40/1/B/001-A-AU	151453	1/30
45/0.01	eRBM-45/1/B/001-A-AU	151454	1/30
6/0.03	eRBM-6/1/B/003-A-AU	151455	1/30
8/0.03	eRBM-8/1/B/003-A-AU	151456	1/30
10/0.03	eRBM-10/1/B/003-A-AU	151457	1/30
13/0.03	eRBM-13/1/B/003-A-AU	151458	1/30
16/0.03	eRBM-16/1/B/003-A-AU	151459	1/30
20/0.03	eRBM-20/1/B/003-A-AU	151460	1/30
25/0.03	eRBM-25/1/B/003-A-AU	151461	1/30
32/0.03	eRBM-32/1/B/003-A-AU	151462	1/30
40/0.03	eRBM-40/1/B/003-A-AU	151463	1/30
45/0.03	eRBM-45/1/B/003-A-AU	151464	1/30
6/0.1	eRBM-6/1/B/01-A-AU	153300	1/30
8/0.1	eRBM-8/1/B/01-A-AU	153301	1/30
10/0.1	eRBM-10/1/B/01-A-AU	153302	1/30
13/0.1	eRBM-13/1/B/01-A-AU	153303	1/30
16/0.1	eRBM-16/1/B/01-A-AU	153304	1/30
20/0.1	eRBM-20/1/B/01-A-AU	153305	1/30
25/0.1	eRBM-25/1/B/01-A-AU	153306	1/30
32/0.1	eRBM-32/1/B/01-A-AU	153307	1/30
40/0.1	eRBM-40/1/B/01-A-AU	153308	1/30
45/0.1	eRBM-45/1/B/01-A-AU	153309	1/30
6/0.3	eRBM-6/1/B/03-A-AU	151465	1/30
8/0.3	eRBM-8/1/B/03-A-AU	151466	1/30
10/0.3	eRBM-10/1/B/03-A-AU	151467	1/30
13/0.3	eRBM-13/1/B/03-A-AU	151468	1/30
16/0.3	eRBM-16/1/B/03-A-AU	151469	1/30
20/0.3	eRBM-20/1/B/03-A-AU	151470	1/30
25/0.3	eRBM-25/1/B/03-A-AU	151471	1/30
32/0.3	eRBM-32/1/B/03-A-AU	151472	1/30
40/0.3	eRBM-40/1/B/03-A-AU	151473	1/30
45/0.3	eRBM-45/1/B/03-A-AU	151474	1/30

SG07911



$I_n/I_{\Delta n}$ (A)	Type Designation	Article No.	Units per package
<b>Characteristic C</b>			
6/0.01	eRBM-6/1/C/001-A-AU	151565	1/30
8/0.01	eRBM-8/1/C/001-A-AU	151566	1/30
10/0.01	eRBM-10/1/C/001-A-AU	151567	1/30
13/0.01	eRBM-13/1/C/001-A-AU	151568	1/30
16/0.01	eRBM-16/1/C/001-A-AU	151569	1/30
20/0.01	eRBM-20/1/C/001-A-AU	151570	1/30
25/0.01	eRBM-25/1/C/001-A-AU	151571	1/30
32/0.01	eRBM-32/1/C/001-A-AU	151572	1/30
40/0.01	eRBM-40/1/C/001-A-AU	151573	1/30
45/0.01	eRBM-45/1/C/001-A-AU	151574	1/30
6/0.03	eRBM-6/1/C/003-A-AU	151575	1/30
8/0.03	eRBM-8/1/C/003-A-AU	151576	1/30
10/0.03	eRBM-10/1/C/003-A-AU	151577	1/30
13/0.03	eRBM-13/1/C/003-A-AU	151578	1/30
16/0.03	eRBM-16/1/C/003-A-AU	151579	1/30
20/0.03	eRBM-20/1/C/003-A-AU	151580	1/30
25/0.03	eRBM-25/1/C/003-A-AU	151581	1/30
32/0.03	eRBM-32/1/C/003-A-AU	151582	1/30
40/0.03	eRBM-40/1/C/003-A-AU	151583	1/30
45/0.03	eRBM-45/1/C/003-A-AU	151584	1/30
6/0.1	eRBM-6/1/C/01-A-AU	153340	1/30
8/0.1	eRBM-8/1/C/01-A-AU	153341	1/30
10/0.1	eRBM-10/1/C/01-A-AU	153342	1/30
13/0.1	eRBM-13/1/C/01-A-AU	153343	1/30
16/0.1	eRBM-16/1/C/01-A-AU	153344	1/30
20/0.1	eRBM-20/1/C/01-A-AU	153345	1/30
25/0.1	eRBM-25/1/C/01-A-AU	153346	1/30
32/0.1	eRBM-32/1/C/01-A-AU	153347	1/30
40/0.1	eRBM-40/1/C/01-A-AU	153348	1/30
45/0.1	eRBM-45/1/C/01-A-AU	153349	1/30
6/0.3	eRBM-6/1/C/03-A-AU	151585	1/30
8/0.3	eRBM-8/1/C/03-A-AU	151586	1/30
10/0.3	eRBM-10/1/C/03-A-AU	151587	1/30
13/0.3	eRBM-13/1/C/03-A-AU	151588	1/30
16/0.3	eRBM-16/1/C/03-A-AU	151589	1/30
20/0.3	eRBM-20/1/C/03-A-AU	151590	1/30
25/0.3	eRBM-25/1/C/03-A-AU	151591	1/30
32/0.3	eRBM-32/1/C/03-A-AU	151592	1/30
40/0.3	eRBM-40/1/C/03-A-AU	151593	1/30
45/0.3	eRBM-45/1/C/03-A-AU	151594	1/30

SG07911



$I_n/I_{\Delta n}$ (A)	Type Designation	Article No.	Units per package
<b>Characteristic D</b>			
6/0.01	eRBM-6/1/D/001-A-AU	151649	1/30
8/0.01	eRBM-8/1/D/001-A-AU	151650	1/30
10/0.01	eRBM-10/1/D/001-A-AU	151651	1/30
13/0.01	eRBM-13/1/D/001-A-AU	151652	1/30
16/0.01	eRBM-16/1/D/001-A-AU	151653	1/30
20/0.01	eRBM-20/1/D/001-A-AU	151654	1/30
6/0.03	eRBM-6/1/D/003-A-AU	151655	1/30
8/0.03	eRBM-8/1/D/003-A-AU	151656	1/30
10/0.03	eRBM-10/1/D/003-A-AU	151657	1/30
13/0.03	eRBM-13/1/D/003-A-AU	151658	1/30
16/0.03	eRBM-16/1/D/003-A-AU	151659	1/30
20/0.03	eRBM-20/1/D/003-A-AU	151660	1/30
6/0.1	eRBM-6/1/D/01-A-AU	153368	1/30
8/0.1	eRBM-8/1/D/01-A-AU	153369	1/30
10/0.1	eRBM-10/1/D/01-A-AU	153370	1/30
13/0.1	eRBM-13/1/D/01-A-AU	153371	1/30
16/0.1	eRBM-16/1/D/01-A-AU	153372	1/30
20/0.1	eRBM-20/1/D/01-A-AU	153373	1/30
6/0.3	eRBM-6/1/D/03-A-AU	151661	1/30
8/0.3	eRBM-8/1/D/03-A-AU	151662	1/30
10/0.3	eRBM-10/1/D/03-A-AU	151663	1/30
13/0.3	eRBM-13/1/D/03-A-AU	151664	1/30
16/0.3	eRBM-16/1/D/03-A-AU	151665	1/30
20/0.3	eRBM-20/1/D/03-A-AU	151666	1/30

$I_n/I_{\Delta n}$ (A)	Type Designation	Article No.	Units per package
---------------------------	---------------------	-------------	----------------------

### Type AC

#### 10 kA, 1+N-pole Conditionally surge current-proof 250 A, type AC

##### Characteristic B

6/0.01	eRBM-6/1/B/001-AU	151415	1/30
8/0.01	eRBM-8/1/B/001-AU	151416	1/30
10/0.01	eRBM-10/1/B/001-AU	151417	1/30
13/0.01	eRBM-13/1/B/001-AU	151418	1/30
16/0.01	eRBM-16/1/B/001-AU	151419	1/30
20/0.01	eRBM-20/1/B/001-AU	151420	1/30
25/0.01	eRBM-25/1/B/001-AU	151421	1/30
32/0.01	eRBM-32/1/B/001-AU	151422	1/30
40/0.01	eRBM-40/1/B/001-AU	151423	1/30
45/0.01	eRBM-45/1/B/001-AU	151424	1/30
6/0.03	eRBM-6/1/B/003-AU	151425	1/30
8/0.03	eRBM-8/1/B/003-AU	151426	1/30
10/0.03	eRBM-10/1/B/003-AU	151427	1/30
13/0.03	eRBM-13/1/B/003-AU	151428	1/30
16/0.03	eRBM-16/1/B/003-AU	151429	1/30
20/0.03	eRBM-20/1/B/003-AU	151430	1/30
25/0.03	eRBM-25/1/B/003-AU	151431	1/30
32/0.03	eRBM-32/1/B/003-AU	151432	1/30
40/0.03	eRBM-40/1/B/003-AU	151433	1/30
45/0.03	eRBM-45/1/B/003-AU	151434	1/30
6/0.1	eRBM-6/1/B/01-AU	153290	1/30
8/0.1	eRBM-8/1/B/01-AU	153291	1/30
10/0.1	eRBM-10/1/B/01-AU	153292	1/30
13/0.1	eRBM-13/1/B/01-AU	153293	1/30
16/0.1	eRBM-16/1/B/01-AU	153294	1/30
20/0.1	eRBM-20/1/B/01-AU	153295	1/30
25/0.1	eRBM-25/1/B/01-AU	153296	1/30
32/0.1	eRBM-32/1/B/01-AU	153297	1/30
40/0.1	eRBM-40/1/B/01-AU	153298	1/30
45/0.1	eRBM-45/1/B/01-AU	153299	1/30
6/0.3	eRBM-6/1/B/03-AU	151435	1/30
8/0.3	eRBM-8/1/B/03-AU	151436	1/30
10/0.3	eRBM-10/1/B/03-AU	151437	1/30
13/0.3	eRBM-13/1/B/03-AU	151438	1/30
16/0.3	eRBM-16/1/B/03-AU	151439	1/30
20/0.3	eRBM-20/1/B/03-AU	151440	1/30
25/0.3	eRBM-25/1/B/03-AU	151441	1/30
32/0.3	eRBM-32/1/B/03-AU	151442	1/30
40/0.3	eRBM-40/1/B/03-AU	151443	1/30
45/0.3	eRBM-45/1/B/03-AU	151444	1/30

SG07911



SG07911



$I_n/I_{\Delta n}$ (A)	Type Designation	Article No.	Units per package
<b>Characteristic C</b>			
6/0.01	eRBM-6/1/C/001-AU	151535	1/30
8/0.01	eRBM-8/1/C/001-AU	151536	1/30
10/0.01	eRBM-10/1/C/001-AU	151537	1/30
13/0.01	eRBM-13/1/C/001-AU	151538	1/30
16/0.01	eRBM-16/1/C/001-AU	151539	1/30
20/0.01	eRBM-20/1/C/001-AU	151540	1/30
25/0.01	eRBM-25/1/C/001-AU	151541	1/30
32/0.01	eRBM-32/1/C/001-AU	151542	1/30
40/0.01	eRBM-40/1/C/001-AU	151543	1/30
45/0.01	eRBM-45/1/C/001-AU	151544	1/30
6/0.03	eRBM-6/1/C/003-AU	151545	1/30
8/0.03	eRBM-8/1/C/003-AU	151546	1/30
10/0.03	eRBM-10/1/C/003-AU	151547	1/30
13/0.03	eRBM-13/1/C/003-AU	151548	1/30
16/0.03	eRBM-16/1/C/003-AU	151549	1/30
20/0.03	eRBM-20/1/C/003-AU	151550	1/30
25/0.03	eRBM-25/1/C/003-AU	151551	1/30
32/0.03	eRBM-32/1/C/003-AU	151552	1/30
40/0.03	eRBM-40/1/C/003-AU	151553	1/30
45/0.03	eRBM-45/1/C/003-AU	151554	1/30
6/0.1	eRBM-6/1/C/01-AU	153330	1/30
8/0.1	eRBM-8/1/C/01-AU	153331	1/30
10/0.1	eRBM-10/1/C/01-AU	153332	1/30
13/0.1	eRBM-13/1/C/01-AU	153333	1/30
16/0.1	eRBM-16/1/C/01-AU	153334	1/30
20/0.1	eRBM-20/1/C/01-AU	153335	1/30
25/0.1	eRBM-25/1/C/01-AU	153336	1/30
32/0.1	eRBM-32/1/C/01-AU	153337	1/30
40/0.1	eRBM-40/1/C/01-AU	153338	1/30
45/0.1	eRBM-45/1/C/01-AU	153339	1/30
6/0.3	eRBM-6/1/C/03-AU	151555	1/30
8/0.3	eRBM-8/1/C/03-AU	151556	1/30
10/0.3	eRBM-10/1/C/03-AU	151557	1/30
13/0.3	eRBM-13/1/C/03-AU	151558	1/30
16/0.3	eRBM-16/1/C/03-AU	151559	1/30
20/0.3	eRBM-20/1/C/03-AU	151560	1/30
25/0.3	eRBM-25/1/C/03-AU	151561	1/30
32/0.3	eRBM-32/1/C/03-AU	151562	1/30
40/0.3	eRBM-40/1/C/03-AU	151563	1/30
45/0.3	eRBM-45/1/C/03-AU	151564	1/30

SG07911



$I_n/I_{\Delta n}$ (A)	Type Designation	Article No.	Units per package
<b>Characteristic D</b>			
6/0.01	eRBM-6/1/D/001-AU	151613	1/30
8/0.01	eRBM-8/1/D/001-AU	151614	1/30
10/0.01	eRBM-10/1/D/001-AU	151615	1/30
13/0.01	eRBM-13/1/D/001-AU	151616	1/30
16/0.01	eRBM-16/1/D/001-AU	151617	1/30
20/0.01	eRBM-20/1/D/001-AU	151618	1/30
6/0.03	eRBM-6/1/D/003-AU	151619	1/30
8/0.03	eRBM-8/1/D/003-AU	151620	1/30
10/0.03	eRBM-10/1/D/003-AU	151621	1/30
13/0.03	eRBM-13/1/D/003-AU	151622	1/30
16/0.03	eRBM-16/1/D/003-AU	151623	1/30
20/0.03	eRBM-20/1/D/003-AU	151624	1/30
6/0.1	eRBM-6/1/D/01-AU	151625	1/30
8/0.1	eRBM-8/1/D/01-AU	151626	1/30
10/0.1	eRBM-10/1/D/01-AU	151627	1/30
13/0.1	eRBM-13/1/D/01-AU	151628	1/30
16/0.1	eRBM-16/1/D/01-AU	151629	1/30
20/0.1	eRBM-20/1/D/01-AU	151630	1/30
6/0.3	eRBM-6/1/D/03-AU	153362	1/30
8/0.3	eRBM-8/1/D/03-AU	153363	1/30
10/0.3	eRBM-10/1/D/03-AU	153364	1/30
13/0.3	eRBM-13/1/D/03-AU	153365	1/30
16/0.3	eRBM-16/1/D/03-AU	153366	1/30
20/0.3	eRBM-20/1/D/03-AU	153367	1/30

**Specifications | Electronic Combined RCD/MCB Devices eRBM-AU, 1+N-pole, 1MU**

**Description**

- Electronic residual current device / miniature circuit breaker combination in only 1MU
- Tripping line voltage dependent
- Contact position indicator red - green
- Can be sealed with leads in the ON and OFF position
- Colour coded switching toggle (designating the rated current)
- Permanently connected neutral conductor (950 mm long, black)
- Special application in British-Standard-Distribution Boxes
- Can be connected to standard busbar (at the lower side)
- Comprehensive range of accessories can be mounted subsequently

**Accessories:**

Tripping signal switch for subsequent installation	Z-NHK	248434
Shunt trip release	Z-ASA/..	248286, 248287
Tripping module	Z-KAM	248294

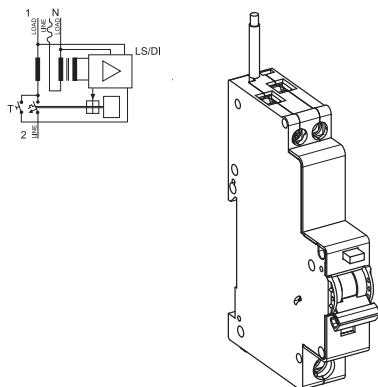
**Technical Data**

		eRBM-AU, 1+N-pole, 1MU
<b>Electrical</b>		
Design according to		BS/EN 61009
Current test marks as printed onto the device		
Number of poles		1+N-pole, pole switched, N led through (solid neutral)
Rated voltage	$U_n$	240 VAC
Rated frequency		50 Hz
Rated current	$I_n$	6 - 45 A
Rated tripping current	$I_{\Delta n}$	10, 30, 100, 300 mA
Sensitivity		AC and pulsating DC
<b>Tripping Characteristic RCD component</b>		
Tripping line voltage dependent		instantaneous
Peak withstand current		250 A (8/20 $\mu$ s)
Rated non-tripping current	$I_{\Delta no}$	0.5 $I_{\Delta n}$
Voltage range for protective function		184 - 264 V~
<b>Tripping Characteristic MCB component</b>		
Conventional non-tripping current		1.13 $I_n$
Conventional tripping current		1.45 $I_n$
Reference temperature		30°C
Characteristic		B, C, D
Rated breaking capacity		10 kA
Selectivity class		3
Maximum back-up fuse (short circuit)		100 A gL (>6 kA)
Endurance		
electrical components		$\geq$ 4,000 switching operations
mechanical components		$\geq$ 20,000 switching operations
<b>Mechanical</b>		
Frame size		45 mm
Device height		102.6 mm
Device width		17.7 mm (1MU)
Mounting		quick fastening with 2 lock-in positions on DIN rail IEC/EN 60715
Degree of protection, switch		IP20
Degree of protection, built-in		IP40
Upper terminals		lift terminals
Lower terminals		open mouthed/lift terminals
Terminal protection		finger and hand touch safe, DGUV VS3, EN 50274
Terminal capacity		1 - 25 mm <sup>2</sup>
Terminal torque		2 - 2.4 Nm
Busbar thickness		0.8 - 2 mm
Tripping temperature		-25°C to +40°C
Storage- and transport temperature		-35°C to +60°C
Resistance to climatic conditions		25-55°C/90-95% relative humidity according to IEC 60068-2



## Connection diagram

1+N-pole



## Dimensions (mm)

