

SG07911



Description

- Innovative, high-quality residual current device / miniature circuit breaker combination, line voltage-dependent
- Design width of one module unit only
- Specific for applications in the BS-distribution systems, permanently connected neutral conductors
- Contact position indicator red - green
- Comprehensive range of accessories can be mounted subsequently
- Guide for secure terminal connection
- Wide variety of rated tripping currents
- Rated currents up to 45 A
- Tripping characteristics B, C
- Rated breaking capacity 10 kA

| | | | |
|---------------------------|---------------------|-------------|----------------------|
| $I_n/I_{\Delta n}$ (A) | Type Designation | Article No. | Units per package |
|---------------------------|---------------------|-------------|----------------------|

Type A

10 kA, 1+N-pole
Conditionally surge current-proof 250 A, sensitive to residual pulsating DC, type A

SG07911



Characteristic B

| | | | |
|---------|-------------------|--------|------|
| 6/0.01 | eRBM-6/1/B/001-A | 152065 | 1/30 |
| 8/0.01 | eRBM-8/1/B/001-A | 152066 | 1/30 |
| 10/0.01 | eRBM-10/1/B/001-A | 152067 | 1/30 |
| 13/0.01 | eRBM-13/1/B/001-A | 152068 | 1/30 |
| 16/0.01 | eRBM-16/1/B/001-A | 152069 | 1/30 |
| 20/0.01 | eRBM-20/1/B/001-A | 152070 | 1/30 |
| 25/0.01 | eRBM-25/1/B/001-A | 152071 | 1/30 |
| 32/0.01 | eRBM-32/1/B/001-A | 152072 | 1/30 |
| 40/0.01 | eRBM-40/1/B/001-A | 152073 | 1/30 |
| 45/0.01 | eRBM-45/1/B/001-A | 152074 | 1/30 |
| 6/0.03 | eRBM-6/1/B/003-A | 152075 | 1/30 |
| 8/0.03 | eRBM-8/1/B/003-A | 152076 | 1/30 |
| 10/0.03 | eRBM-10/1/B/003-A | 152077 | 1/30 |
| 13/0.03 | eRBM-13/1/B/003-A | 152078 | 1/30 |
| 16/0.03 | eRBM-16/1/B/003-A | 152079 | 1/30 |
| 20/0.03 | eRBM-20/1/B/003-A | 152080 | 1/30 |
| 25/0.03 | eRBM-25/1/B/003-A | 152081 | 1/30 |
| 32/0.03 | eRBM-32/1/B/003-A | 152082 | 1/30 |
| 40/0.03 | eRBM-40/1/B/003-A | 152083 | 1/30 |
| 45/0.03 | eRBM-45/1/B/003-A | 152084 | 1/30 |
| 6/0.1 | eRBM-6/1/B/01-A | 153066 | 1/30 |
| 8/0.1 | eRBM-8/1/B/01-A | 153067 | 1/30 |
| 10/0.1 | eRBM-10/1/B/01-A | 153068 | 1/30 |
| 13/0.1 | eRBM-13/1/B/01-A | 153069 | 1/30 |
| 16/0.1 | eRBM-16/1/B/01-A | 153070 | 1/30 |
| 20/0.1 | eRBM-20/1/B/01-A | 153071 | 1/30 |
| 25/0.1 | eRBM-25/1/B/01-A | 153072 | 1/30 |
| 32/0.1 | eRBM-32/1/B/01-A | 153073 | 1/30 |
| 40/0.1 | eRBM-40/1/B/01-A | 153074 | 1/30 |
| 45/0.1 | eRBM-45/1/B/01-A | 153075 | 1/30 |
| 6/0.3 | eRBM-6/1/B/03-A | 152085 | 1/30 |
| 8/0.3 | eRBM-8/1/B/03-A | 152086 | 1/30 |
| 10/0.3 | eRBM-10/1/B/03-A | 152087 | 1/30 |
| 13/0.3 | eRBM-13/1/B/03-A | 152088 | 1/30 |
| 16/0.3 | eRBM-16/1/B/03-A | 152089 | 1/30 |
| 20/0.3 | eRBM-20/1/B/03-A | 152090 | 1/30 |
| 25/0.3 | eRBM-25/1/B/03-A | 152091 | 1/30 |
| 32/0.3 | eRBM-32/1/B/03-A | 152092 | 1/30 |
| 40/0.3 | eRBM-40/1/B/03-A | 152093 | 1/30 |
| 45/0.3 | eRBM-45/1/B/03-A | 152094 | 1/30 |

SG07911



| $I_n/I_{\Delta n}$ (A) | Type Designation | Article No. | Units per package |
|---------------------------|---------------------|-------------|----------------------|
| Characteristic C | | | |
| 6/0.01 | eRBM-6/1/C/001-A | 152175 | 1/30 |
| 8/0.01 | eRBM-8/1/C/001-A | 152176 | 1/30 |
| 10/0.01 | eRBM-10/1/C/001-A | 152177 | 1/30 |
| 13/0.01 | eRBM-13/1/C/001-A | 152178 | 1/30 |
| 16/0.01 | eRBM-16/1/C/001-A | 152179 | 1/30 |
| 20/0.01 | eRBM-20/1/C/001-A | 152180 | 1/30 |
| 25/0.01 | eRBM-25/1/C/001-A | 152181 | 1/30 |
| 32/0.01 | eRBM-32/1/C/001-A | 152182 | 1/30 |
| 40/0.01 | eRBM-40/1/C/001-A | 152183 | 1/30 |
| 45/0.01 | eRBM-45/1/C/001-A | 152184 | 1/30 |
| 6/0.03 | eRBM-6/1/C/003-A | 152185 | 1/30 |
| 8/0.03 | eRBM-8/1/C/003-A | 152186 | 1/30 |
| 10/0.03 | eRBM-10/1/C/003-A | 152187 | 1/30 |
| 13/0.03 | eRBM-13/1/C/003-A | 152188 | 1/30 |
| 16/0.03 | eRBM-16/1/C/003-A | 152189 | 1/30 |
| 20/0.03 | eRBM-20/1/C/003-A | 152190 | 1/30 |
| 25/0.03 | eRBM-25/1/C/003-A | 152191 | 1/30 |
| 32/0.03 | eRBM-32/1/C/003-A | 152192 | 1/30 |
| 40/0.03 | eRBM-40/1/C/003-A | 152193 | 1/30 |
| 45/0.03 | eRBM-45/1/C/003-A | 152194 | 1/30 |
| 6/0.1 | eRBM-6/1/C/01-A | 153106 | 1/30 |
| 8/0.1 | eRBM-8/1/C/01-A | 153107 | 1/30 |
| 10/0.1 | eRBM-10/1/C/01-A | 153108 | 1/30 |
| 13/0.1 | eRBM-13/1/C/01-A | 153109 | 1/30 |
| 16/0.1 | eRBM-16/1/C/01-A | 153110 | 1/30 |
| 20/0.1 | eRBM-20/1/C/01-A | 153111 | 1/30 |
| 25/0.1 | eRBM-25/1/C/01-A | 153112 | 1/30 |
| 32/0.1 | eRBM-32/1/C/01-A | 153113 | 1/30 |
| 40/0.1 | eRBM-40/1/C/01-A | 153114 | 1/30 |
| 45/0.1 | eRBM-45/1/C/01-A | 153115 | 1/30 |
| 6/0.3 | eRBM-6/1/C/03-A | 152195 | 1/30 |
| 8/0.3 | eRBM-8/1/C/03-A | 152196 | 1/30 |
| 10/0.3 | eRBM-10/1/C/03-A | 152197 | 1/30 |
| 13/0.3 | eRBM-13/1/C/03-A | 152198 | 1/30 |
| 16/0.3 | eRBM-16/1/C/03-A | 152199 | 1/30 |
| 20/0.3 | eRBM-20/1/C/03-A | 152200 | 1/30 |
| 25/0.3 | eRBM-25/1/C/03-A | 152201 | 1/30 |
| 32/0.3 | eRBM-32/1/C/03-A | 152202 | 1/30 |
| 40/0.3 | eRBM-40/1/C/03-A | 152203 | 1/30 |
| 45/0.3 | eRBM-45/1/C/03-A | 152204 | 1/30 |

Specifications | Electronic Combined RCD/MCB Devices eRBM, 1+N-pole, 1MU**Description**

- Electronic residual current device / miniature circuit breaker combination in only 1MU
- Tripping line voltage dependent
- Contact position indicator red - green
- Can be sealed with leads in the ON and OFF position
- Colour coded switching toggle (designating the rated current)
- Permanently connected neutral conductor (950 mm long, blue)
- Special application in British-Standard-Distribution Boxes
- Can be connected to standard busbar (at the lower side)
- Comprehensive range of accessories can be mounted subsequently

Accessories:

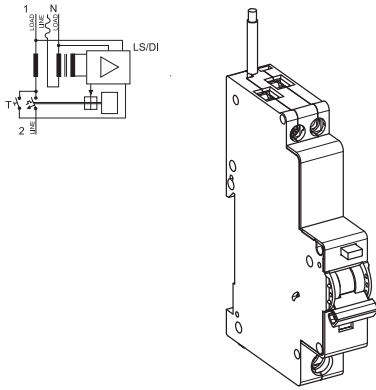
| | | |
|----------------------------------------------------|----------|----------------|
| Auxiliary switch for subsequent installation | Z-AHK | 248433 |
| Tripping signal switch for subsequent installation | Z-NHK | 248434 |
| Shunt trip release | Z-ASA/.. | 248286, 248287 |
| Tripping module | Z-KAM | 248294 |

Technical Data

| | | eRBM, 1+N-pole, 1MU |
|-----------------------------------------------|-----------------|-------------------------------------------------------------------|
| Electrical | | |
| Design according to | | BS/EN 61009 |
| Current test marks as printed onto the device | | |
| Number of poles | | 1+N-pole, pole switched, N led through (solid neutral) |
| Rated voltage | U_n | 240 VAC |
| Rated frequency | | 50 Hz |
| Rated current | I_n | 6 - 45 A |
| Rated tripping current | $I_{\Delta n}$ | 10, 30, 100, 300 mA |
| Sensitivity | | pulsating DC |
| Tripping Characteristic RCD component | | |
| Tripping line voltage dependent | | instantaneous |
| Peak withstand current | | 250 A (8/20 μ s) |
| Rated non-tripping current | $I_{\Delta no}$ | 0.5 $I_{\Delta n}$ |
| Voltage range for protective function | | 184 - 264 V~ |
| Tripping Characteristic MCB component | | |
| Conventional non-tripping current | | 1.13 I_n |
| Conventional tripping current | | 1.45 I_n |
| Reference temperature | | 30°C |
| Characteristic | | B, C |
| Rated breaking capacity | | 10 kA |
| Selectivity class | | 3 |
| Maximum back-up fuse (short circuit) | | 100 A gL (>6 kA) |
| Endurance | | |
| electrical components | | \geq 4,000 switching operations |
| mechanical components | | \geq 20,000 switching operations |
| Mechanical | | |
| Frame size | | 45 mm |
| Device height | | 102.6 mm |
| Device width | | 17.7 mm (1MU) |
| Mounting | | quick fastening with 2 lock-in positions on DIN rail IEC/EN 60715 |
| Degree of protection, switch | | IP20 |
| Degree of protection, built-in | | IP40 |
| Upper terminals | | lift terminals |
| Lower terminals | | open mouthed/lift terminals |
| Terminal protection | | finger and hand touch safe, DGUV VS3, EN 50274 |
| Terminal capacity | | 1 - 25 mm ² |
| Terminal torque | | 2 - 2.4 Nm |
| Busbar thickness | | 0.8 - 2 mm |
| Tripping temperature | | -25°C to +40°C |
| Storage- and transport temperature | | -35°C to +60°C |
| Resistance to climatic conditions | | 25-55°C/90-95% relative humidity according to IEC 60068-2 |

Connection diagram

1+N-pole



Dimensions (mm)

