

SG07911



## Description

- Innovative, high-quality residual current device / miniature circuit breaker combination, line voltage-dependent
- Design width of one module unit only
- Specific for applications in the BS-distribution systems, permanently connected neutral conductors
- Contact position indicator red - green
- Comprehensive range of accessories can be mounted subsequently
- Guide for secure terminal connection
- Wide variety of rated tripping currents
- Rated currents up to 45 A
- Tripping characteristics B, C, D
- Rated breaking capacity 6 kA

$I_n/I_{\Delta n}$ (A)	Type Designation	Article No.	Units per package
---------------------------	---------------------	-------------	----------------------

**Type A****6 kA, 1+N-pole****Conditionally surge current-proof 250 A, sensitive to residual pulsating DC, type A****Characteristic B**

6/0.01	eRB6-6/1/B/001-A-AU	151385	1/30
8/0.01	eRB6-8/1/B/001-A-AU	151386	1/30
10/0.01	eRB6-10/1/B/001-A-AU	151387	1/30
13/0.01	eRB6-13/1/B/001-A-AU	151388	1/30
16/0.01	eRB6-16/1/B/001-A-AU	151389	1/30
20/0.01	eRB6-20/1/B/001-A-AU	151390	1/30
25/0.01	eRB6-25/1/B/001-A-AU	151391	1/30
32/0.01	eRB6-32/1/B/001-A-AU	151392	1/30
40/0.01	eRB6-40/1/B/001-A-AU	151393	1/30
45/0.01	eRB6-45/1/B/001-A-AU	151394	1/30
6/0.03	eRB6-6/1/B/003-A-AU	151395	1/30
8/0.03	eRB6-8/1/B/003-A-AU	151396	1/30
10/0.03	eRB6-10/1/B/003-A-AU	151397	1/30
13/0.03	eRB6-13/1/B/003-A-AU	151398	1/30
16/0.03	eRB6-16/1/B/003-A-AU	151399	1/30
20/0.03	eRB6-20/1/B/003-A-AU	151400	1/30
25/0.03	eRB6-25/1/B/003-A-AU	151401	1/30
32/0.03	eRB6-32/1/B/003-A-AU	151402	1/30
40/0.03	eRB6-40/1/B/003-A-AU	151403	1/30
45/0.03	eRB6-45/1/B/003-A-AU	151404	1/30
6/0.1	eRB6-6/1/B/01-A-AU	153280	1/30
8/0.1	eRB6-8/1/B/01-A-AU	153281	1/30
10/0.1	eRB6-10/1/B/01-A-AU	153282	1/30
13/0.1	eRB6-13/1/B/01-A-AU	153283	1/30
16/0.1	eRB6-16/1/B/01-A-AU	153284	1/30
20/0.1	eRB6-20/1/B/01-A-AU	153285	1/30
25/0.1	eRB6-25/1/B/01-A-AU	153286	1/30
32/0.1	eRB6-32/1/B/01-A-AU	153287	1/30
40/0.1	eRB6-40/1/B/01-A-AU	153288	1/30
45/0.1	eRB6-45/1/B/01-A-AU	153289	1/30
6/0.3	eRB6-6/1/B/03-A-AU	151405	1/30
8/0.3	eRB6-8/1/B/03-A-AU	151406	1/30
10/0.3	eRB6-10/1/B/03-A-AU	151407	1/30
13/0.3	eRB6-13/1/B/03-A-AU	151408	1/30
16/0.3	eRB6-16/1/B/03-A-AU	151409	1/30
20/0.3	eRB6-20/1/B/03-A-AU	151410	1/30
25/0.3	eRB6-25/1/B/03-A-AU	151411	1/30
32/0.3	eRB6-32/1/B/03-A-AU	151412	1/30
40/0.3	eRB6-40/1/B/03-A-AU	151413	1/30
45/0.3	eRB6-45/1/B/03-A-AU	151414	1/30

SG07911



SG07911



$I_n/I_{\Delta n}$ (A)	Type Designation	Article No.	Units per package
<b>Characteristic C</b>			
6/0.01	eRB6-6/1/C/001-A-AU	151505	1/30
8/0.01	eRB6-8/1/C/001-A-AU	151506	1/30
10/0.01	eRB6-10/1/C/001-A-AU	151507	1/30
13/0.01	eRB6-13/1/C/001-A-AU	151508	1/30
16/0.01	eRB6-16/1/C/001-A-AU	151509	1/30
20/0.01	eRB6-20/1/C/001-A-AU	151510	1/30
25/0.01	eRB6-25/1/C/001-A-AU	151511	1/30
32/0.01	eRB6-32/1/C/001-A-AU	151512	1/30
40/0.01	eRB6-40/1/C/001-A-AU	151513	1/30
45/0.01	eRB6-45/1/C/001-A-AU	151514	1/30
6/0.03	eRB6-6/1/C/003-A-AU	151515	1/30
8/0.03	eRB6-8/1/C/003-A-AU	151516	1/30
10/0.03	eRB6-10/1/C/003-A-AU	151517	1/30
13/0.03	eRB6-13/1/C/003-A-AU	151518	1/30
16/0.03	eRB6-16/1/C/003-A-AU	151519	1/30
20/0.03	eRB6-20/1/C/003-A-AU	151520	1/30
25/0.03	eRB6-25/1/C/003-A-AU	151521	1/30
32/0.03	eRB6-32/1/C/003-A-AU	151522	1/30
40/0.03	eRB6-40/1/C/003-A-AU	151523	1/30
45/0.03	eRB6-45/1/C/003-A-AU	151524	1/30
6/0.1	eRB6-6/1/C/01-A-AU	153320	1/30
8/0.1	eRB6-8/1/C/01-A-AU	153321	1/30
10/0.1	eRB6-10/1/C/01-A-AU	153322	1/30
13/0.1	eRB6-13/1/C/01-A-AU	153323	1/30
16/0.1	eRB6-16/1/C/01-A-AU	153324	1/30
20/0.1	eRB6-20/1/C/01-A-AU	153325	1/30
25/0.1	eRB6-25/1/C/01-A-AU	153326	1/30
32/0.1	eRB6-32/1/C/01-A-AU	153327	1/30
40/0.1	eRB6-40/1/C/01-A-AU	153328	1/30
45/0.1	eRB6-45/1/C/01-A-AU	153329	1/30
6/0.3	eRB6-6/1/C/03-A-AU	151525	1/30
8/0.3	eRB6-8/1/C/03-A-AU	151526	1/30
10/0.3	eRB6-10/1/C/03-A-AU	151527	1/30
13/0.3	eRB6-13/1/C/03-A-AU	151528	1/30
16/0.3	eRB6-16/1/C/03-A-AU	151529	1/30
20/0.3	eRB6-20/1/C/03-A-AU	151530	1/30
25/0.3	eRB6-25/1/C/03-A-AU	151531	1/30
32/0.3	eRB6-32/1/C/03-A-AU	151532	1/30
40/0.3	eRB6-40/1/C/03-A-AU	151533	1/30
45/0.3	eRB6-45/1/C/03-A-AU	151534	1/30

SG07911



$I_n/I_{\Delta n}$ (A)	Type Designation	Article No.	Units per package
<b>Characteristic D</b>			
6/0.01	eRB6-6/1/D/001-A-AU	151631	1/30
8/0.01	eRB6-8/1/D/001-A-AU	151632	1/30
10/0.01	eRB6-10/1/D/001-A-AU	151633	1/30
13/0.01	eRB6-13/1/D/001-A-AU	151634	1/30
16/0.01	eRB6-16/1/D/001-A-AU	151635	1/30
20/0.01	eRB6-20/1/D/001-A-AU	151636	1/30
6/0.03	eRB6-6/1/D/003-A-AU	151637	1/30
8/0.03	eRB6-8/1/D/003-A-AU	151638	1/30
10/0.03	eRB6-10/1/D/003-A-AU	151639	1/30
13/0.03	eRB6-13/1/D/003-A-AU	151640	1/30
16/0.03	eRB6-16/1/D/003-A-AU	151641	1/30
20/0.03	eRB6-20/1/D/003-A-AU	151642	1/30
6/0.1	eRB6-6/1/D/01-A-AU	153356	1/30
8/0.1	eRB6-8/1/D/01-A-AU	153357	1/30
10/0.1	eRB6-10/1/D/01-A-AU	153358	1/30
13/0.1	eRB6-13/1/D/01-A-AU	153359	1/30
16/0.1	eRB6-16/1/D/01-A-AU	153360	1/30
20/0.1	eRB6-20/1/D/01-A-AU	153361	1/30
6/0.3	eRB6-6/1/D/03-A-AU	151643	1/30
8/0.3	eRB6-8/1/D/03-A-AU	151644	1/30
10/0.3	eRB6-10/1/D/03-A-AU	151645	1/30
13/0.3	eRB6-13/1/D/03-A-AU	151646	1/30
16/0.3	eRB6-16/1/D/03-A-AU	151647	1/30
20/0.3	eRB6-20/1/D/03-A-AU	151648	1/30

$I_n/I_{\Delta n}$ (A)	Type Designation	Article No.	Units per package
---------------------------	---------------------	-------------	----------------------

**Type AC**

**6 kA, 1+N-pole**  
**Conditionally surge current-proof 250 A, type AC**

SG07911



**Characteristic B**

6/0.01	eRB6-6/1/B/001-AU	151245	1/30
8/0.01	eRB6-8/1/B/001-AU	151246	1/30
10/0.01	eRB6-10/1/B/001-AU	151247	1/30
13/0.01	eRB6-13/1/B/001-AU	151248	1/30
16/0.01	eRB6-16/1/B/001-AU	151249	1/30
20/0.01	eRB6-20/1/B/001-AU	151360	1/30
25/0.01	eRB6-25/1/B/001-AU	151361	1/30
32/0.01	eRB6-32/1/B/001-AU	151362	1/30
40/0.01	eRB6-40/1/B/001-AU	151363	1/30
45/0.01	eRB6-45/1/B/001-AU	151364	1/30
6/0.03	eRB6-6/1/B/003-AU	151365	1/30
8/0.03	eRB6-8/1/B/003-AU	151366	1/30
10/0.03	eRB6-10/1/B/003-AU	151367	1/30
13/0.03	eRB6-13/1/B/003-AU	151368	1/30
16/0.03	eRB6-16/1/B/003-AU	151369	1/30
20/0.03	eRB6-20/1/B/003-AU	151370	1/30
25/0.03	eRB6-25/1/B/003-AU	151371	1/30
32/0.03	eRB6-32/1/B/003-AU	151372	1/30
40/0.03	eRB6-40/1/B/003-AU	151373	1/30
45/0.03	eRB6-45/1/B/003-AU	151374	1/30
6/0.1	eRB6-6/1/B/01-AU	153270	1/30
8/0.1	eRB6-8/1/B/01-AU	153271	1/30
10/0.1	eRB6-10/1/B/01-AU	153272	1/30
13/0.1	eRB6-13/1/B/01-AU	153273	1/30
16/0.1	eRB6-16/1/B/01-AU	153274	1/30
20/0.1	eRB6-20/1/B/01-AU	153275	1/30
25/0.1	eRB6-25/1/B/01-AU	153276	1/30
32/0.1	eRB6-32/1/B/01-AU	153277	1/30
40/0.1	eRB6-40/1/B/01-AU	153278	1/30
45/0.1	eRB6-45/1/B/01-AU	153279	1/30
6/0.3	eRB6-6/1/B/03-AU	151375	1/30
8/0.3	eRB6-8/1/B/03-AU	151376	1/30
10/0.3	eRB6-10/1/B/03-AU	151377	1/30
13/0.3	eRB6-13/1/B/03-AU	151378	1/30
16/0.3	eRB6-16/1/B/03-AU	151379	1/30
20/0.3	eRB6-20/1/B/03-AU	151380	1/30
25/0.3	eRB6-25/1/B/03-AU	151381	1/30
32/0.3	eRB6-32/1/B/03-AU	151382	1/30
40/0.3	eRB6-40/1/B/03-AU	151383	1/30
45/0.3	eRB6-45/1/B/03-AU	151384	1/30

SG07911



$I_n/I_{\Delta n}$ (A)	Type Designation	Article No.	Units per package
<b>Characteristic C</b>			
6/0.01	eRB6-6/1/C/001-AU	151475	1/30
8/0.01	eRB6-8/1/C/001-AU	151476	1/30
10/0.01	eRB6-10/1/C/001-AU	151477	1/30
13/0.01	eRB6-13/1/C/001-AU	151478	1/30
16/0.01	eRB6-16/1/C/001-AU	151479	1/30
20/0.01	eRB6-20/1/C/001-AU	151480	1/30
25/0.01	eRB6-25/1/C/001-AU	151481	1/30
32/0.01	eRB6-32/1/C/001-AU	151482	1/30
40/0.01	eRB6-40/1/C/001-AU	151483	1/30
45/0.01	eRB6-45/1/C/001-AU	151484	1/30
6/0.03	eRB6-6/1/C/003-AU	151485	1/30
8/0.03	eRB6-8/1/C/003-AU	151486	1/30
10/0.03	eRB6-10/1/C/003-AU	151487	1/30
13/0.03	eRB6-13/1/C/003-AU	151488	1/30
16/0.03	eRB6-16/1/C/003-AU	151489	1/30
20/0.03	eRB6-20/1/C/003-AU	151490	1/30
25/0.03	eRB6-25/1/C/003-AU	151491	1/30
32/0.03	eRB6-32/1/C/003-AU	151492	1/30
40/0.03	eRB6-40/1/C/003-AU	151493	1/30
45/0.03	eRB6-45/1/C/003-AU	151494	1/30
6/0.1	eRB6-6/1/C/01-AU	153310	1/30
8/0.1	eRB6-8/1/C/01-AU	153311	1/30
10/0.1	eRB6-10/1/C/01-AU	153312	1/30
13/0.1	eRB6-13/1/C/01-AU	153313	1/30
16/0.1	eRB6-16/1/C/01-AU	153314	1/30
20/0.1	eRB6-20/1/C/01-AU	153315	1/30
25/0.1	eRB6-25/1/C/01-AU	153316	1/30
32/0.1	eRB6-32/1/C/01-AU	153317	1/30
40/0.1	eRB6-40/1/C/01-AU	153318	1/30
45/0.1	eRB6-45/1/C/01-AU	153319	1/30
6/0.3	eRB6-6/1/C/03-AU	151495	1/30
8/0.3	eRB6-8/1/C/03-AU	151496	1/30
10/0.3	eRB6-10/1/C/03-AU	151497	1/30
13/0.3	eRB6-13/1/C/03-AU	151498	1/30
16/0.3	eRB6-16/1/C/03-AU	151499	1/30
20/0.3	eRB6-20/1/C/03-AU	151500	1/30
25/0.3	eRB6-25/1/C/03-AU	151501	1/30
32/0.3	eRB6-32/1/C/03-AU	151502	1/30
40/0.3	eRB6-40/1/C/03-AU	151503	1/30
45/0.3	eRB6-45/1/C/03-AU	151504	1/30

SG07911



$I_n/I_{\Delta n}$ (A)	Type Designation	Article No.	Units per package
<b>Characteristic D</b>			
6/0.01	eRB6-6/1/D/001-AU	151595	1/30
8/0.01	eRB6-8/1/D/001-AU	151596	1/30
10/0.01	eRB6-10/1/D/001-AU	151597	1/30
13/0.01	eRB6-13/1/D/001-AU	151598	1/30
16/0.01	eRB6-16/1/D/001-AU	151599	1/30
20/0.01	eRB6-20/1/D/001-AU	151600	1/30
6/0.03	eRB6-6/1/D/003-AU	151601	1/30
8/0.03	eRB6-8/1/D/003-AU	151602	1/30
10/0.03	eRB6-10/1/D/003-AU	151603	1/30
13/0.03	eRB6-13/1/D/003-AU	151604	1/30
16/0.03	eRB6-16/1/D/003-AU	151605	1/30
20/0.03	eRB6-20/1/D/003-AU	151606	1/30
6/0.1	eRB6-6/1/D/01-AU	153350	1/30
8/0.1	eRB6-8/1/D/01-AU	153351	1/30
10/0.1	eRB6-10/1/D/01-AU	153352	1/30
13/0.1	eRB6-13/1/D/01-AU	153353	1/30
16/0.1	eRB6-16/1/D/01-AU	153354	1/30
20/0.1	eRB6-20/1/D/01-AU	153355	1/30
6/0.3	eRB6-6/1/D/03-AU	151607	1/30
8/0.3	eRB6-8/1/D/03-AU	151608	1/30
10/0.3	eRB6-10/1/D/03-AU	151609	1/30
13/0.3	eRB6-13/1/D/03-AU	151610	1/30
16/0.3	eRB6-16/1/D/03-AU	151611	1/30
20/0.3	eRB6-20/1/D/03-AU	151612	1/30

## Specifications | Electronic Combined RCD/MCB Devices eRB6-AU, 1+N-pole, 1MU

### Description

- Electronic residual current device / miniature circuit breaker combination in only 1MU
- Tripping line voltage dependent
- Contact position indicator red - green
- Can be sealed with leads in the ON and OFF position
- Colour coded switching toggle (designating the rated current)
- Permanently connected neutral conductor (950 mm long, black)
- Special application in British-Standard-Distribution Boxes
- Can be connected to standard busbar (at the lower side)
- Comprehensive range of accessories can be mounted subsequently

### Accessories:

Tripping signal switch for subsequent installation	Z-NHK	248434
Shunt trip release	Z-ASA/..	248286, 248287
Tripping module	Z-KAM	248294

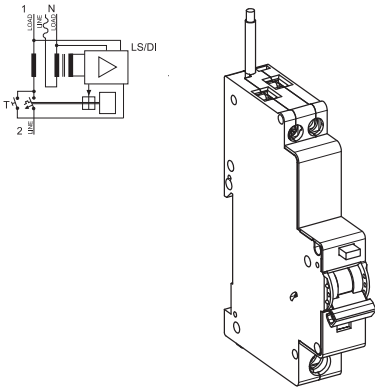
## Technical Data

		eRB6-AU, 1+N-pole, 1MU
<b>Electrical</b>		
Design according to		BS/EN 61009
Current test marks as printed onto the device		
Number of poles		1+N-pole, pole switched, N led through (solid neutral)
Rated voltage	$U_n$	240 VAC
Rated frequency		50 Hz
Rated current	$I_n$	6 - 45 A
Rated tripping current	$I_{\Delta n}$	10, 30, 100, 300 mA
Sensitivity		AC and pulsating DC
<b>Tripping Characteristic RCD component</b>		
Tripping line voltage dependent		instantaneous
Peak withstand current		250 A (8/20 $\mu$ s)
Rated non-tripping current	$I_{\Delta no}$	0.5 $I_{\Delta n}$
Voltage range for protective function		184 - 264 V~
<b>Tripping Characteristic MCB component</b>		
Conventional non-tripping current		1.13 $I_n$
Conventional tripping current		1.45 $I_n$
Reference temperature		30°C
Characteristic		B, C, D
Rated breaking capacity		6 kA
Selectivity class		3
Maximum back-up fuse (short circuit)		100 A gL (>6 kA)
Endurance		
electrical components		$\geq 4,000$ switching operations
mechanical components		$\geq 20,000$ switching operations
<b>Mechanical</b>		
Frame size		45 mm
Device height		102.6 mm
Device width		17.7 mm (1MU)
Mounting		quick fastening with 2 lock-in positions on DIN rail IEC/EN 60715
Degree of protection, switch		IP20
Degree of protection, built-in		IP40
Upper terminals		lift terminals
Lower terminals		open mouthed/lift terminals
Terminal protection		finger and hand touch safe, DGVV VS3, EN 50274
Terminal capacity		1 - 25 mm <sup>2</sup>
Terminal torque		2 - 2.4 Nm
Busbar thickness		0.8 - 2 mm
Tripping temperature		-25°C to +40°C
Storage- and transport temperature		-35°C to +60°C
Resistance to climatic conditions		25-55°C/90-95% relative humidity according to IEC 60068-2



Connection diagram

1+N-pole



Dimensions (mm)

