

SG07911



Description

- Innovative, high-quality residual current device / miniature circuit breaker combination, line voltage-dependent
- Design width of one module unit only
- Specific for applications in the BS-distribution systems, permanently connected neutral conductors
- Contact position indicator red - green
- Comprehensive range of accessories can be mounted subsequently
- Guide for secure terminal connection
- Wide variety of rated tripping currents
- Rated currents up to 45 A
- Tripping characteristics B, C
- Rated breaking capacity 6 kA

$I_n/I_{\Delta n}$ (A)	Type Designation	Article No.	Units per package
---------------------------	---------------------	-------------	----------------------

Type AC**6 kA, 1+N-pole****Conditionally surge current-proof 250 A, type AC****Characteristic B**

6/0.01	eRB6-6/1/B/001	151975	1/30
8/0.01	eRB6-8/1/B/001	151976	1/30
10/0.01	eRB6-10/1/B/001	151977	1/30
13/0.01	eRB6-13/1/B/001	151978	1/30
16/0.01	eRB6-16/1/B/001	151979	1/30
20/0.01	eRB6-20/1/B/001	151990	1/30
25/0.01	eRB6-25/1/B/001	151991	1/30
32/0.01	eRB6-32/1/B/001	151992	1/30
40/0.01	eRB6-40/1/B/001	151993	1/30
45/0.01	eRB6-45/1/B/001	151994	1/30
6/0.03	eRB6-6/1/B/003	151995	1/30
6/0.03	eRB6-6/1/B/003-PT3	152277	1/30
8/0.03	eRB6-8/1/B/003	151996	1/30
10/0.03	eRB6-10/1/B/003	151997	1/30
13/0.03	eRB6-13/1/B/003	151998	1/30
16/0.03	eRB6-16/1/B/003	151999	1/30
20/0.03	eRB6-20/1/B/003	152000	1/30
25/0.03	eRB6-25/1/B/003	152001	1/30
32/0.03	eRB6-32/1/B/003	152002	1/30
32/0.03	eRB6-32/1/B/003-PT3	152278	1/30
40/0.03	eRB6-40/1/B/003	152003	1/30
45/0.03	eRB6-45/1/B/003	152004	1/30
6/0.1	eRB6-6/1/B/01	153036	1/30
8/0.1	eRB6-8/1/B/01	153037	1/30
10/0.1	eRB6-10/1/B/01	153038	1/30
13/0.1	eRB6-13/1/B/01	153039	1/30
16/0.1	eRB6-16/1/B/01	153040	1/30
20/0.1	eRB6-20/1/B/01	153041	1/30
25/0.1	eRB6-25/1/B/01	153042	1/30
32/0.1	eRB6-32/1/B/01	153043	1/30
40/0.1	eRB6-40/1/B/01	153044	1/30
45/0.1	eRB6-45/1/B/01	153045	1/30
6/0.3	eRB6-6/1/B/03	152005	1/30
8/0.3	eRB6-8/1/B/03	152006	1/30
10/0.3	eRB6-10/1/B/03	152007	1/30
13/0.3	eRB6-13/1/B/03	152008	1/30
16/0.3	eRB6-16/1/B/03	152009	1/30
20/0.3	eRB6-20/1/B/03	152010	1/30
25/0.3	eRB6-25/1/B/03	152011	1/30
32/0.3	eRB6-32/1/B/03	152012	1/30
40/0.3	eRB6-40/1/B/03	152013	1/30
45/0.3	eRB6-45/1/B/03	152014	1/30

SG07911



SG07911



$I_n/I_{\Delta n}$ (A)	Type Designation	Article No.	Units per package
Characteristic C			
6/0.01	eRB6-6/1/C/001	152095	1/30
8/0.01	eRB6-8/1/C/001	152096	1/30
10/0.01	eRB6-10/1/C/001	152097	1/30
13/0.01	eRB6-13/1/C/001	152098	1/30
16/0.01	eRB6-16/1/C/001	152099	1/30
20/0.01	eRB6-20/1/C/001	152100	1/30
25/0.01	eRB6-25/1/C/001	152101	1/30
32/0.01	eRB6-32/1/C/001	152102	1/30
40/0.01	eRB6-40/1/C/001	152103	1/30
45/0.01	eRB6-45/1/C/001	152104	1/30
6/0.03	eRB6-6/1/C/003	152105	1/30
8/0.03	eRB6-8/1/C/003	152106	1/30
10/0.03	eRB6-10/1/C/003	152107	1/30
13/0.03	eRB6-13/1/C/003	152108	1/30
16/0.03	eRB6-16/1/C/003	152109	1/30
20/0.03	eRB6-20/1/C/003	152110	1/30
25/0.03	eRB6-25/1/C/003	152111	1/30
32/0.03	eRB6-32/1/C/003	152112	1/30
40/0.03	eRB6-40/1/C/003	152113	1/30
45/0.03	eRB6-45/1/C/003	152114	1/30
6/0.1	eRB6-6/1/C/01	153076	1/30
8/0.1	eRB6-8/1/C/01	153077	1/30
10/0.1	eRB6-10/1/C/01	153078	1/30
13/0.1	eRB6-13/1/C/01	153079	1/30
16/0.1	eRB6-16/1/C/01	153080	1/30
20/0.1	eRB6-20/1/C/01	153081	1/30
25/0.1	eRB6-25/1/C/01	153082	1/30
32/0.1	eRB6-32/1/C/01	153083	1/30
40/0.1	eRB6-40/1/C/01	153084	1/30
45/0.1	eRB6-45/1/C/01	153085	1/30
6/0.3	eRB6-6/1/C/03	152115	1/30
8/0.3	eRB6-8/1/C/03	152116	1/30
10/0.3	eRB6-10/1/C/03	152117	1/30
13/0.3	eRB6-13/1/C/03	152118	1/30
16/0.3	eRB6-16/1/C/03	152119	1/30
20/0.3	eRB6-20/1/C/03	152120	1/30
25/0.3	eRB6-25/1/C/03	152121	1/30
32/0.3	eRB6-32/1/C/03	152122	1/30
40/0.3	eRB6-40/1/C/03	152123	1/30
45/0.3	eRB6-45/1/C/03	152124	1/30

Specifications | Electronic Combined RCD/MCB Devices eRB6, 1+N-pole, 1MU

Description

- Electronic residual current device / miniature circuit breaker combination in only 1MU
- Tripping line voltage dependent
- Contact position indicator red - green
- Can be sealed with leads in the ON and OFF position
- Colour coded switching toggle (designating the rated current)
- Permanently connected neutral conductor
Standard version: 600 mm long, blue
PT3 version: 300 mm long, blue
- Special application in British-Standard-Distribution Boxes
- Can be connected to standard busbar (at the lower side)
- Comprehensive range of accessories can be mounted subsequently

Accessories:

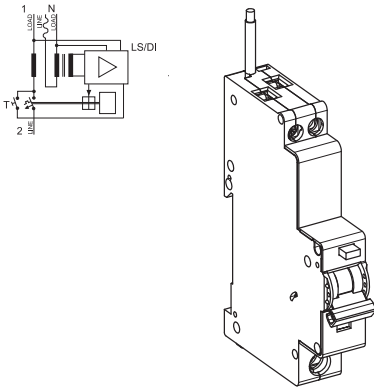
Auxiliary switch for subsequent installation	Z-AHK	248433
Tripping signal switch for subsequent installation	Z-NHK	248434
Shunt trip release	Z-ASA/..	248286, 248287
Tripping module	Z-KAM	248294

Technical Data

		eRB6, 1+N-pole, 1MU
Electrical		
Design according to		BS/EN 61009
Current test marks as printed onto the device		
Number of poles		1+N-pole, pole switched, N led through (solid neutral)
Rated voltage	U_n	240 VAC
Rated frequency		50 Hz
Rated current	I_n	6 - 45 A
Rated tripping current	$I_{\Delta n}$	10, 30, 100, 300 mA
Sensitivity		AC
Tripping Characteristic RCD component		
Tripping line voltage dependent		instantaneous
Peak withstand current		250 A (8/20 μ s)
Rated non-tripping current	$I_{\Delta no}$	0.5 $I_{\Delta n}$
Voltage range for protective function		184 - 264 V~
Tripping Characteristic MCB component		
Conventional non-tripping current		1.13 I_n
Conventional tripping current		1.45 I_n
Reference temperature		30°C
Characteristic		B, C
Rated breaking capacity		6 kA
Selectivity class		3
Maximum back-up fuse (short circuit)		100 A gL (>6 kA)
Endurance		
electrical components		$\geq 4,000$ switching operations
mechanical components		$\geq 20,000$ switching operations
Mechanical		
Frame size		45 mm
Device height		102.6 mm
Device width		17.7 mm (1MU)
Mounting		quick fastening with 2 lock-in positions on DIN rail IEC/EN 60715
Degree of protection, switch		IP20
Degree of protection, built-in		IP40
Upper terminals		lift terminals
Lower terminals		open mouthed/lift terminals
Terminal protection		finger and hand touch safe, DGUV VS3, EN 50274
Terminal capacity		1 - 25 mm ²
Terminal torque		2 - 2.4 Nm
Busbar thickness		0.8 - 2 mm
Tripping temperature		-25°C to +40°C
Storage- and transport temperature		-35°C to +60°C
Resistance to climatic conditions		25-55°C/90-95% relative humidity according to IEC 60068-2

Connection diagram

1+N-pole



Dimensions (mm)

