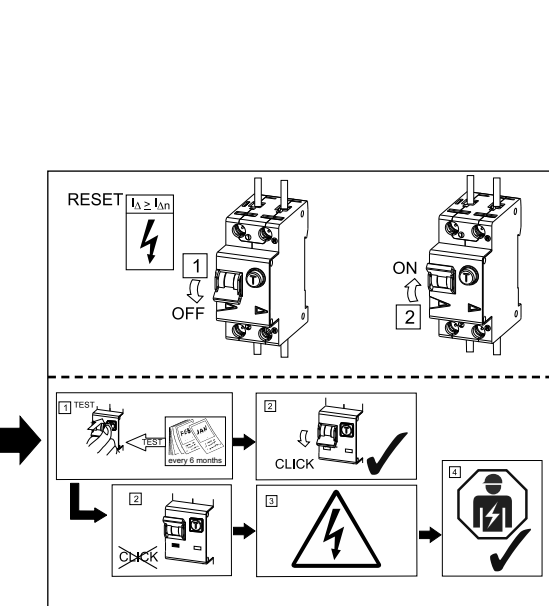
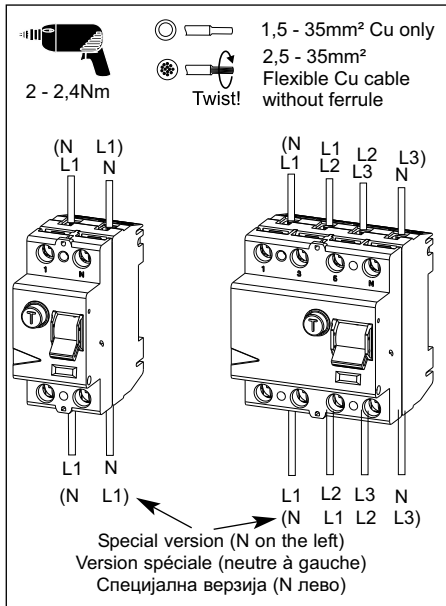
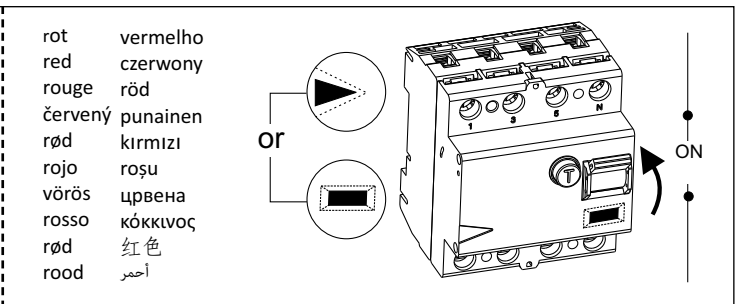
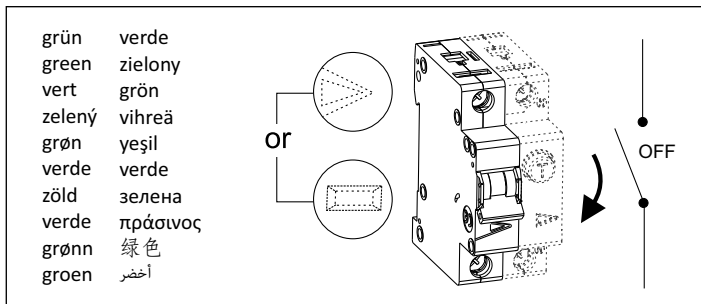


Extension for MCB's:

Supplementary Protector	USA/Canada
Technical Data	UL 1077
1 phase (series-fuse 100A): 5 kA - 277 V ~ 60 Hz	Tripping Current: 155 % of rated current at 30°C
3 phase (series-fuse 100 A): 5 kA - 277/480 V ~ 60 Hz	Cu 75°C, min. AWG 18, max. AWG 4, Nm 2.4



Extension for RCD's:

Maximum back-up fuse	Short circuit
I _n = 16-63A	63 A gG/gL
I _n = 80A	80 A gG/gL
I _n = 100A	100 A gG/gL

Erweiterung für FI's:

Max. zulässige Vorsicherung	Kurzschluss
I _n = 16-63A	63 A gG/gL
I _n = 80A	80 A gG/gL
I _n = 100A	100 A gG/gL

