

Eaton Green Motion EV wall charger

Eaton Green Motion EV charger combines fast AC charging at 7.7 kW, revenue-grade metering, and remote access, powered by smart breakers. This forward-thinking solution provides additional versatility with multiple installation options including single and dual pedestal mounts for maximum flexibility. Monitor and control charging with our mobile app and open APIs.



Speed and control

- Fast AC charging at 7.7 kW, 240 Vac.
- Revenue-grade metering accuracy ($\pm 0.2\%$ per ANSI C12.20).
- Real-time and remote access allows you to optimize charging times and take part in smart grid programs.



Stay connected and customize

- Set charging schedules to optimize costs, receive alerts and notifications with the EV Charger Manager app.
- Powered by our Brightlayer platform enables integration with your preferred charge management solution.



Energy savings and efficiency

- Simply control rate of charge to not incur higher costs during peak rate periods.
- Efficient and simple installation with wall and pedestal mount options.

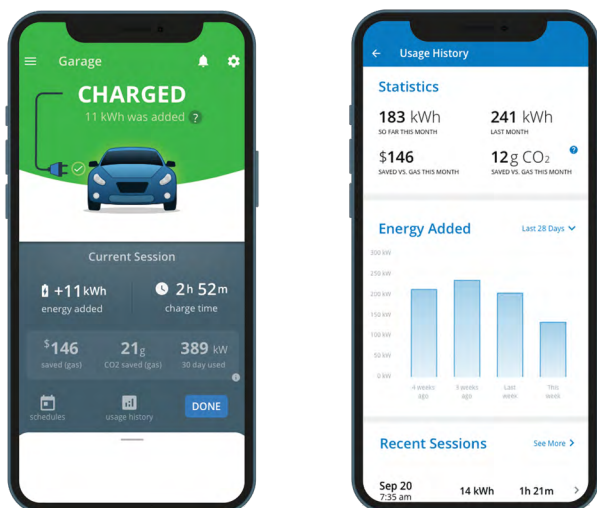


Technical Specification

Input Electrical Ratings	<ul style="list-style-type: none">• Voltage: Single Phase, 208-240 Vac, 60 Hz• Breaker rating: 40 A• Power: 7.7 kW at 240 Vac; 6.6 kW at 208 Vac
Output Electrical Ratings	<ul style="list-style-type: none">• Voltage: 208-240 Vac, 60 Hz• Current: 32 A• Power: 7.7 kW at 240 Vac; 6.6 kW at 208 Vac
Wiring Options	<ul style="list-style-type: none">• 2ft Cable with NEMA 14-50 Plug• Hardwire
Output Cable	<ul style="list-style-type: none">• 25' Cable• J1772 Compliant connector
Metering	<ul style="list-style-type: none">• 0.2% accurate revenue grade metering tested to ANSI C12.20
LED Indicator	<ul style="list-style-type: none">• RGB (Red, Green, Blue) LEDs to indicate charger status and fault condition on both the wall charger and the EV connector
Wireless Connectivity	<ul style="list-style-type: none">• IEEE 802.11 b/g/n 2.4 GHz Wi-Fi
Cybersecurity	<ul style="list-style-type: none">• Tested per cybersecurity guidelines endorsed by UL and IEC
Firmware Features	<ul style="list-style-type: none">• Open platform with support for OCPP (Open Charge Point Protocol) 1.6J• 4MB of local data storage to limit the possibility of data loss• Over-the-air (OTA) firmware updates
Enclosure	<ul style="list-style-type: none">• NEMA 3R rated enclosure for indoor and outdoor installation• Dimensions: 10.78" x 15.11" x 4.42" (W x H x D)
Weight	<ul style="list-style-type: none">• Charger Enclosure Plus Cable: 13.5 lbs.
Certifications	<ul style="list-style-type: none">• Safety: UL, CSA, NFPA Article 625• SAE J1772 2010 Ed.• FCC Compliant, Part 15• ANSI C12.20
Warranty	<ul style="list-style-type: none">• 3 years

Get started by downloading Eaton's EV Charger Manager app available on iOS and Google Play stores.

Save on energy costs and minimize CO2 impact with simple app control:



- Easily commission charger and connect to Wi-Fi
- Monitor and control charging status from anywhere
- Track energy usage with real-time statistics and insights
- Schedule charging based on Time of Use rates (TOU) to reduce costs
- Receive notifications on charging status, power outage, and ground fault
- Advanced options to limit the charge speed (6 A minimum)
- Manage multiple chargers and cap a charging session



Eligible for Canadian EV charger grants & rebates

EV wall charger & pedestal options

CATALOG & DESCRIPTION

GMEV32BR-WC-C

- 7.7 kW EV smart breaker wall charger
- J1772 EV connector and 25-foot cord
- Mounting option: wall or pedestal

GMEV32BR-WCPL-C

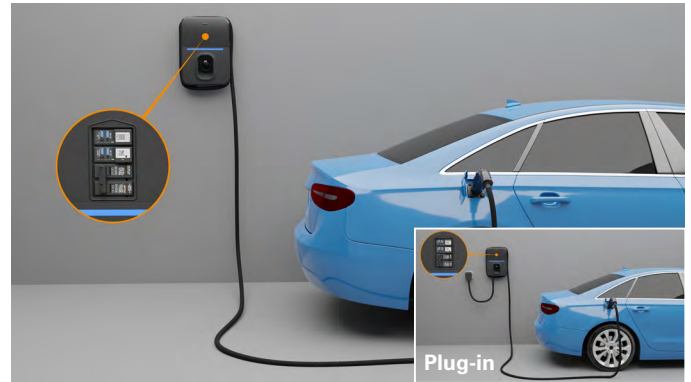
- 7.7 kW EV smart breaker wall charger with NEMA 14-50 plug
- J1772 EV connector and 25-foot cord
- Mounting option: on any wall/plug-in (240 V receptacle necessary)

GMEV-PED

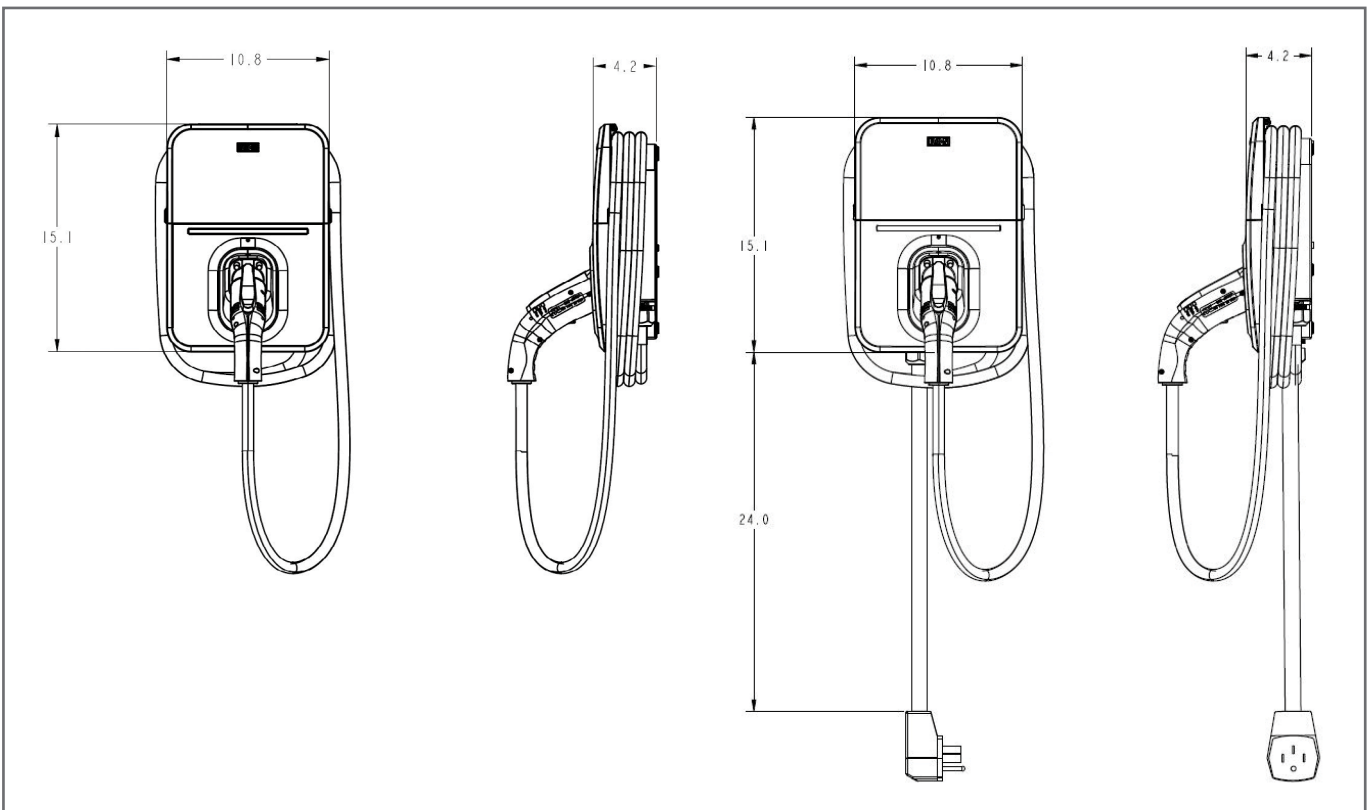
- EV single port pedestal
- Requires (1) GMEV32BR-WC, sold separately

GMEV-DPED

- EV dual port pedestal
- Requires (2) GMEV32BR-WC, sold separately



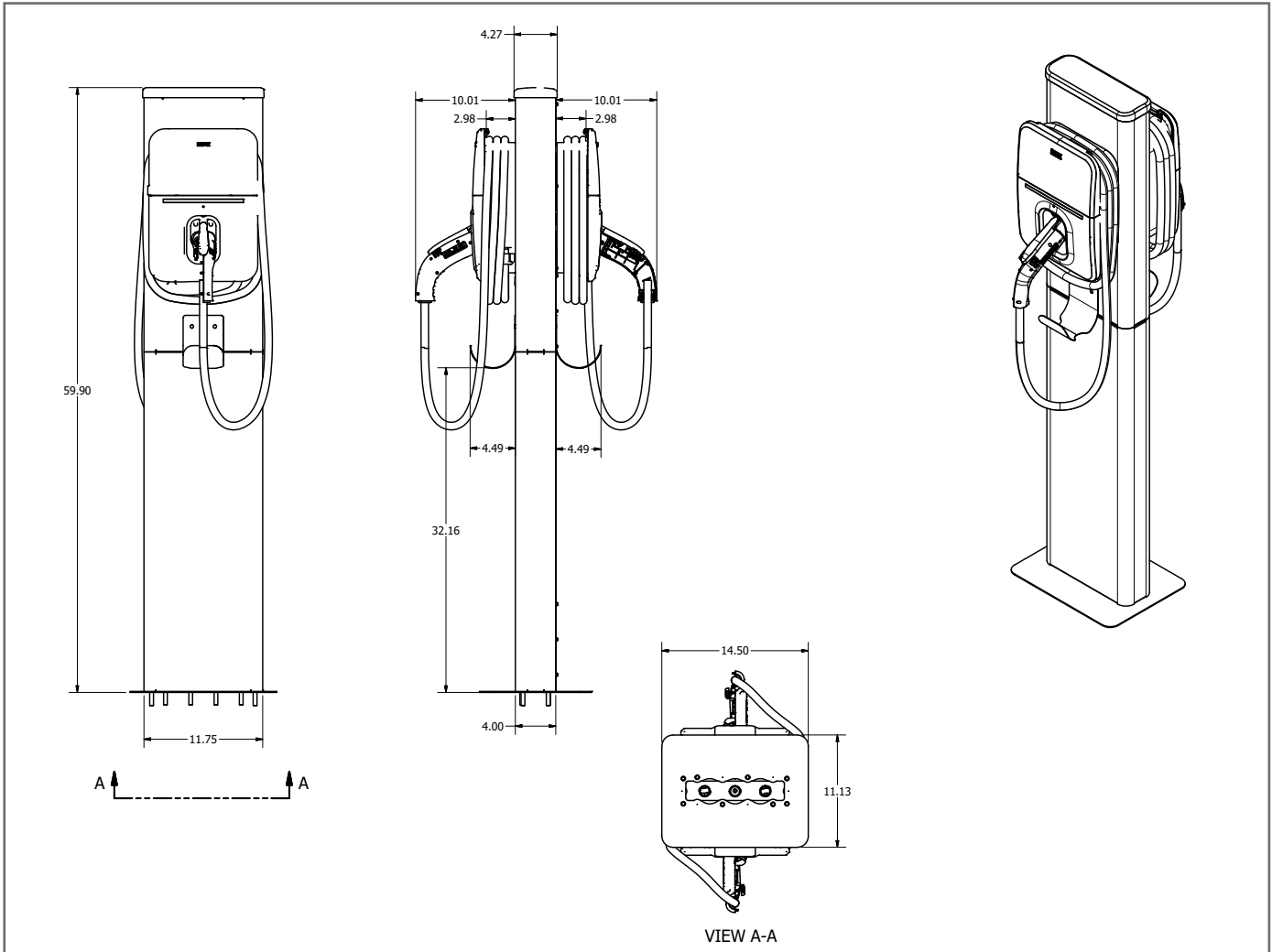
Product dimensions



EV wall charger

Eligible for Canadian EV charger grants & rebates





EV wall charger with pedestal

Contact the Eaton Technical Resource Center at **1-800-268-3578** for further assistance.

Eaton
 Electrical Sector
 Canadian Operations
 5050 Mainway
 Burlington, ON L7L 5Z1
 Canada
 EatonCanada.ca

© 2023 Eaton
 All rights reserved
 Printed in Canada
 Publication number: TD191018EN
 (Rev. 01)
 September 2023



*Eligible for Canadian
 EV charger grants & rebates*



Scan QR code for product information, documents and more.



Follow us on social media to get the latest product and support information.



Eaton is a registered trademark.

All other trademarks are property of their respective owners.