

500 Volts gG NH Weather resistant fuse links



Product description

Eaton's Bussmann® series 500 Volts gG NH square bodied industrial fuse links are suitable where weather resistance is needed.

Standard features

- Reliable dual indicator system
- Low temperature rise
- Suitable for outdoor use (ensure correct orientation when fitting the fuse link)

Catalogue symbol

- (amp)NHG(size)BWP

Fuse size

- 00 and 2

Technical data

- Volts: 500 V a.c.
- Amps: 35 to 400 A
- Breaking capacity: 120 kA a.c.
- Operating frequency: 45-62 Hz
- Class of operation: gG/gL
- Operating temperature: -20°C to +55°C with de-rating of 0.5% for every 1°C above 35°C.

Made in accordance with:

- IEC 60269
- DIN 43620
- CE

Packaging:

- 3 per carton

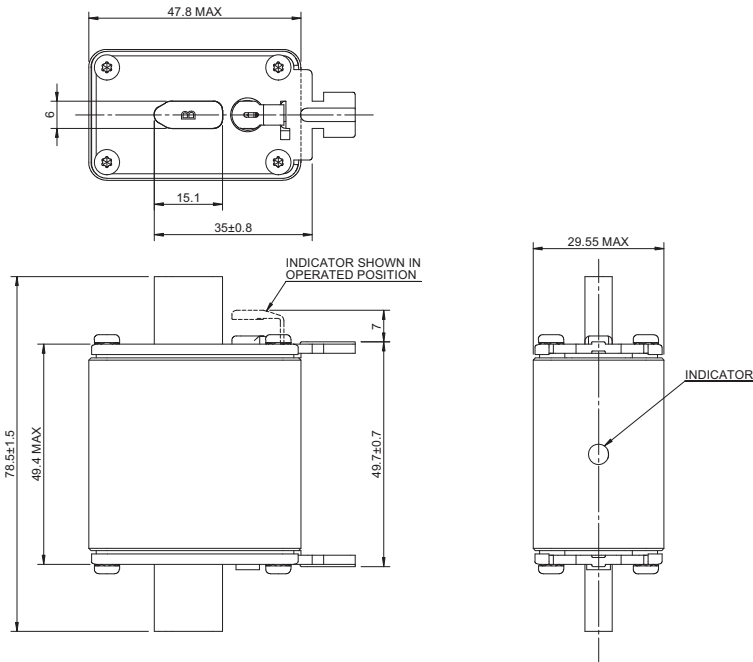
Fuse bases

- DIN-Rail mounting and screw mounting 1-pole SD(size)-D and 3-pole TD(size)-d, see data sheet 10163

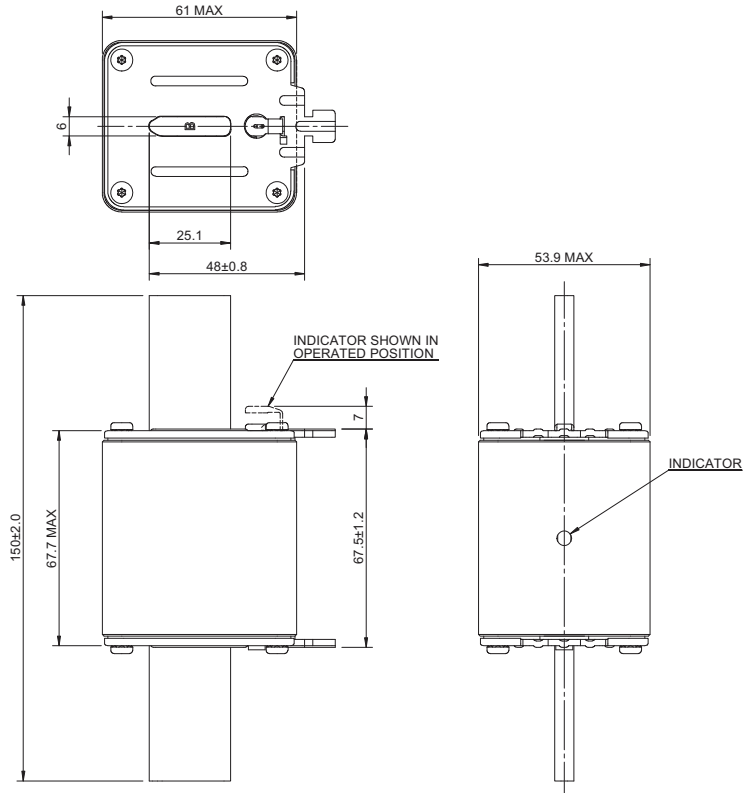
Table 1. Technical data sizes 00 and 2

Fuse link size	Rated current (Amps)	Rated voltage (V a.c.)	gG/gL dual indicator Catalogue number	I ² t (Amps ² Seconds)		Watts loss	Net weight per fuse (kg)	Pack quantity	Fuse base	
				Minimum pre-arcing	*I ² t 120 kA at 500 V a.c.				Single-pole	Triple-pole
00	35	500	35NHG00BWP	2100	8400	4	0.19	3	SD00-D	TD00-D
00	50	500	50NHG00BWP	5800	21,500	5	0.19		SD00-D	TD00-D
00	63	500	63NHG00BWP	5800	25,000	5	0.19		SD00-D	TD00-D
00	80	500	80NHG00BWP	11,000	35,000	7	0.19		SD00-D	TD00-D
00	100	500	100NHG00BWP	19,000	60,000	8	0.19		SD00-D	TD00-D
00	125	500	125NHG00BWP	25,000	125,000	10	0.19		SD00-D	TD00-D
00	160	500	160NHG00BWP	64,000	310,000	10	0.19		SD00-D	TD00-D
2	63	500	63NHG2BWP	5119	20,476	4	0.63		SD2-D	TD2-D
2	80	500	80NHG2BWP	8778	35,113	5	0.63		SD2-D	TD2-D
2	100	500	100NHG2BWP	20476	81,904	5	0.63		SD2-D	TD2-D
2	125	500	125NHG2BWP	22472	89,890	8	0.63		SD2-D	TD2-D
2	160	500	160NHG2BWP	56,878	227,510	9	0.63		SD2-D	TD2-D
2	200	500	200NHG2BWP	80,000	320,000	11	0.63		SD2-D	TD2-D
2	250	500	250NHG2BWP	170,000	680,000	14	0.63		SD2-D	TD2-D
2	315	500	315NHG2BWP	361,700	1,446,800	13	0.63		SD2-D	TD2-D
2	355	500	355NHG2BWP	446,500	1,786,000	16	0.63		SD2-D	TD2-D
2	400	500	400NHG2BWP	642,900	2,571,600	18	0.63		SD2-D	TD2-D

NH Fuse links dimensions - mm

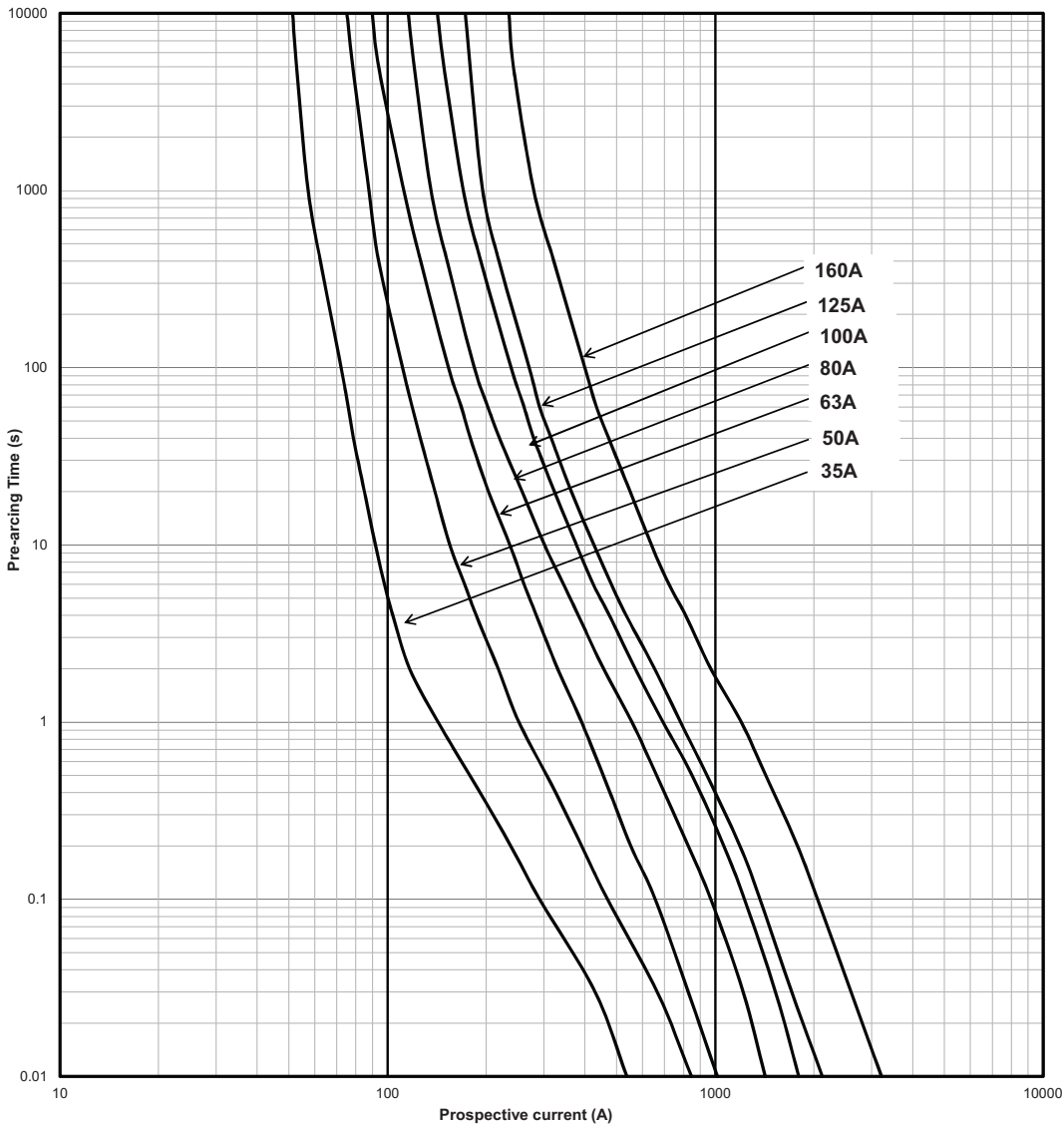


Size 00

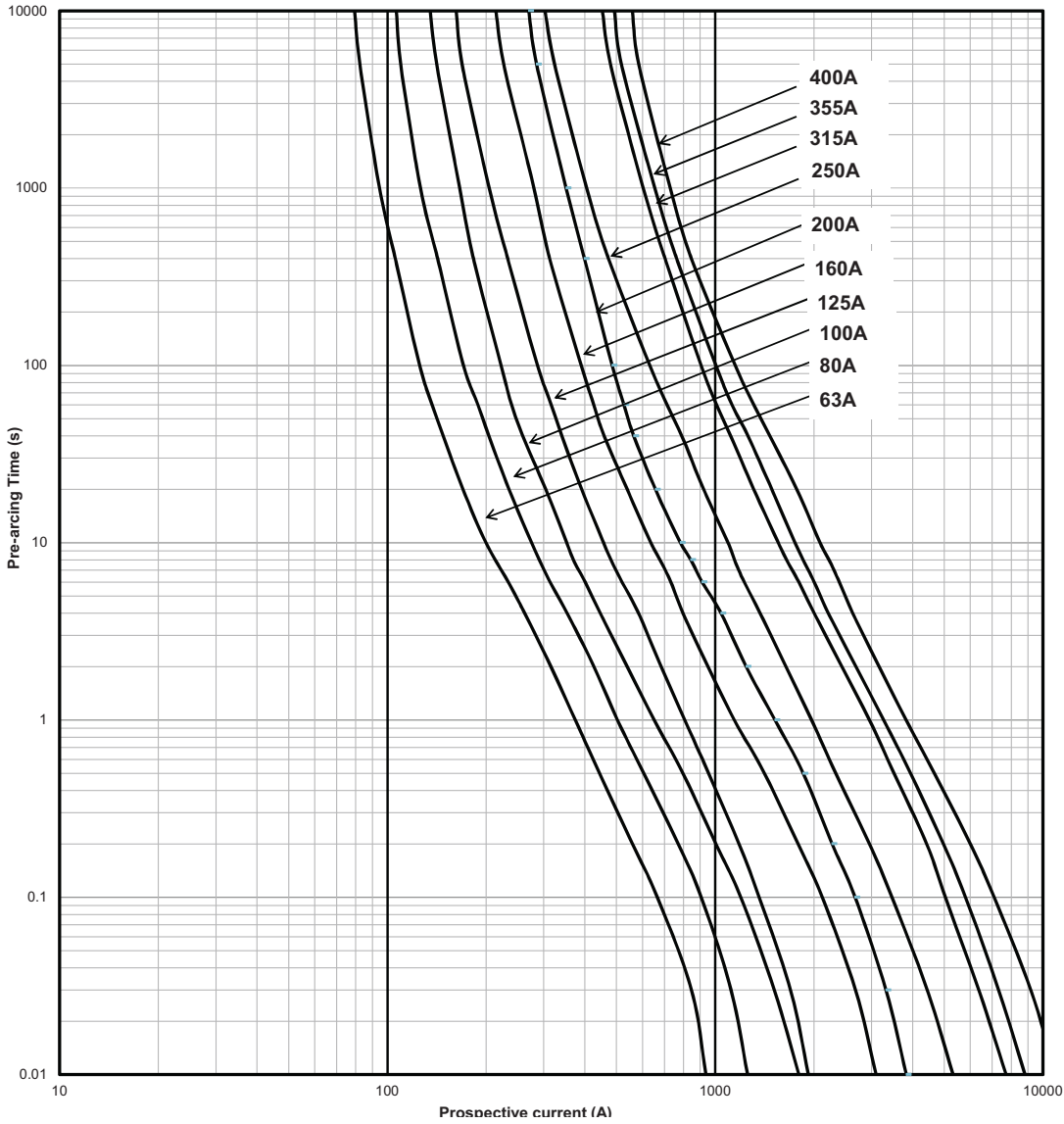


Size 2

Time current curve - size 00



Time current curve - size 2



Changes to the products, to the information contained in this document, and to prices are reserved; so are errors and omissions. Only order confirmations and technical documentation by Eaton is binding. Photos and pictures also do not warrant a specific layout or functionality. Their use in whatever form is subject to prior approval by Eaton. The same applies to Trademarks (especially Eaton, Moeller, and Cutler-Hammer). The Terms and Conditions of Eaton apply, as referenced on Eaton Internet pages and Eaton order confirmations.

Eaton
EMEA Headquarters
Route de la Longeraie 7
1110 Morges, Switzerland

Eaton Electrical Products Limited
Unit 1, Hawker Business Park,
Melton Road
Burton-on-the-Wolds
Leicestershire, LE12 5TH
United Kingdom

© 2020 Eaton
All Rights Reserved
PDF Only
Publication No. 134001EN
April 2022