

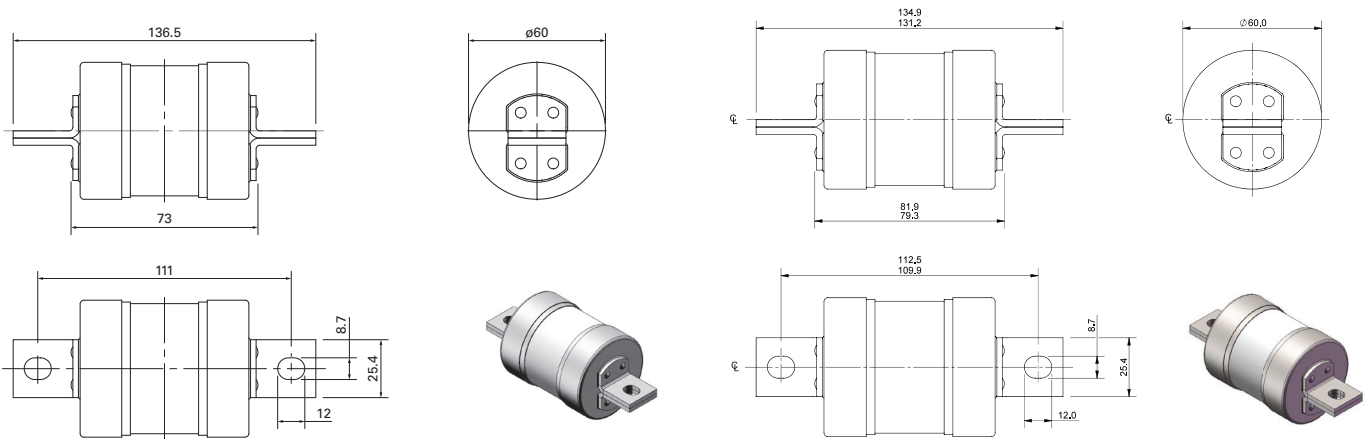
Burton-on-the-Wolds, 18th April 2024

Product Change Notification PCN_BUR_00205

Subject: Eaton Bussmann® TMF Red spot fuses - new dimensions

Dear customer,

Please be informed that the dimensions of the Eaton's Bussmann series TMF red spot fuses have been updated, with immediate effect. The outline drawings below shows the previous and new dimensions for your reference.



Previous dimensions

New dimensions

This change does not affect the performance or quality of the fuses. You can find further information about these fuses in our [data sheet 10078](#) and [Low voltage fuses full line catalogue](#).

We apologize for any inconvenience this change may cause you. If you have any questions or concerns, please do not hesitate to contact us. We appreciate your continued support and trust in our products.

Yours sincerely,

Amar Ratanshi
Product Manager
Switch Disconnect and Bussmann series products
Industrial Control & Protection Division
E-Mail: Amarratanshi@eaton.com