

Low-voltage power distribution and control systems > Busway >

# Low-voltage busway—Pow-R-Flex

## Contents

|   |                |
|---|----------------|
| <b>General Description</b> .....                  | <b>24.2-2</b>  |
| Overview .....                                    | 24.2-2         |
| Standards .....                                   | 24.2-2         |
| Construction Details .....                        | 24.2-2         |
| <b>Fittings</b> .....                             | <b>24.2-4</b>  |
| Traditional Elbows .....                          | 24.2-4         |
| Standard Flanges .....                            | 24.2-5         |
| Offsets .....                                     | 24.2-6         |
| Cable Tap Boxes .....                             | 24.2-6         |
| Expansion Joints .....                            | 24.2-8         |
| Phase Transpositions .....                        | 24.2-8         |
| Vapor-Fire Barriers .....                         | 24.2-9         |
| Tees (Horizontal) .....                           | 24.2-9         |
| End Closers .....                                 | 24.2-9         |
| Wall Flanges .....                                | 24.2-10        |
| Hangers .....                                     | 24.2-10        |
| <b>Devices</b> .....                              | <b>24.2-12</b> |
| Busway Power Monitoring .....                     | 24.2-12        |
| Plug-In Unit Overcurrent Protective Devices ..... | 24.2-13        |
| Plug-In Cable Tap Boxes .....                     | 24.2-13        |
| Circuit Breaker Plug-In Units .....               | 24.2-14        |
| Surge Protective Device Plug-In Units .....       | 24.2-15        |
| Receptacle Plug-In Units .....                    | 24.2-16        |
| GHC Single Receptacle Unit (480 V Max.) .....     | 24.2-17        |
| GHC Double Receptacle Unit (480 V Max.) .....     | 24.2-17        |
| CUBEFuse Single Receptacle Unit .....             | 24.2-17        |
| CUBEFuse Double Receptacle Unit .....             | 24.2-18        |
| CUBEFuse .....                                    | 24.2-18        |
| F-Frame Single Receptacle Unit .....              | 24.2-19        |
| F-Frame Double Receptacle Unit .....              | 24.2-20        |
| F-Frame Quad Receptacle Unit .....                | 24.2-20        |
| <b>Layout</b> .....                               | <b>24.2-21</b> |
| Installation Drawing Information .....            | 24.2-21        |
| <b>Application Data</b> .....                     | <b>24.2-22</b> |
| Electrical Data .....                             | 24.2-22        |
| Physical Data .....                               | 24.2-23        |



# EATON

Powering Business Worldwide



More about this product  
[Eaton.com/busway](https://www.eaton.com/busway)



Complete library of design guides  
[Eaton.com/designguides](https://www.eaton.com/designguides)

## Overview



**Pow-R-Flex Low-Ampere Busway**

Eaton's Pow-R-Flex low-ampere busway is the latest design in a family of innovative busway products and is the newest in the industry. The Pow-R-Flex low-ampere busway is an excellent solution for distributing power throughout facilities, providing the flexibility to easily use the electrical system power where and when it is needed. The Pow-R-Flex low-ampere busway is practical for manufacturing and assembly facilities, machine shops, school and private laboratories, warehouse facilities, and data centers, and will reduce installation time and costs.

The Pow-R-Flex low-ampere busway is a maximum 600 V design that uses the latest in extrusion construction, providing appealing aesthetics without compromising heavy-duty performance.

The design consists of an extruded, all-aluminum housing with silver-plated copper or aluminum conductors. Copper conductors offer ratings from 225–600 A, and aluminum conductors offer ratings from 150–400 A. The Pow-R-Flex low-ampere busway comes in feeder type and plug-in type with a full line of complementary fittings and accessories. Feeder and plug-in busways can be used interchangeably without adapters or special splice plates. Each section is joined using a Pow-R-Bridge joint-compression fitting. The Pow-R-Flex low-ampere busway comes in two color options: ANSI 61 gray or black.

## Standards

The Pow-R-Flex low-ampere busway meets the requirements of NEMA, ANSI, UL® 857, and CSA® C22.2 and is manufactured in an ISO® 9001-certified facility. The feeder, plug-in, fittings and accessories are designed to withstand the short-circuit ratings listed for each ampere rating.

The Pow-R-Flex low-ampere busway is a three-phase design available in three-wire and four-wire configurations with integral housing, internal and isolated internal ground options. Oversized neutral ratings are available on select current ratings. See **Table 24.2-23**.

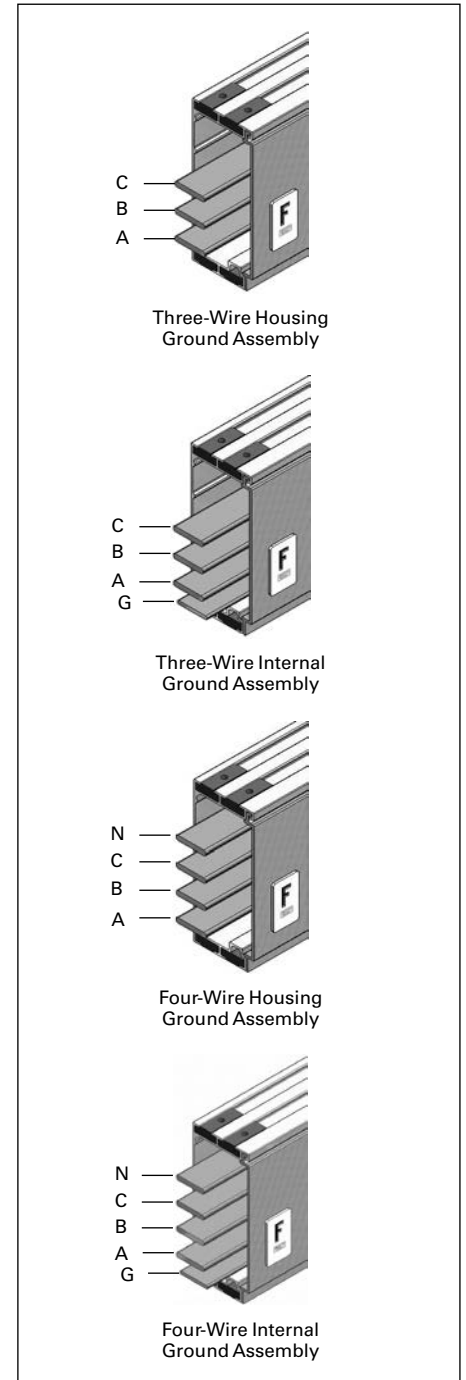
## Construction Details

Pow-R-Flex bus bars are fabricated from high-strength 100% to over 200% neutral capacity on select current ratings. The phase and neutral conductors are silver-plated along the entire length of the bus bars. Aluminum bars are silver-plated by the Alstan 88C process, and copper bars are silver-plated through a flashing process. The ground bar for the internal ground option is not plated.

The internal conductors are separated from one another using an air insulation gap between phases, ground and housing. The conductors are supported and braced with a durable, high-strength polycarbonate support block that has a Class B 130 °C insulation rating. The support blocks provide superior fault current bracing.

For a Pow-R-Flex type plug-in busway, there are no special provisions for plug-in unit connections. Each plug-in unit clamps directly onto each phase and neutral conductor. A support block is used at each plug-in provision, providing additional bracing and support around the plug-in unit provision. This provides a more robust, reliable and safe plug-in unit connection.

The neutral conductor is made from the same material as the phase conductors and is the same physical size, providing 100% to 200% neutral capacity on select current ratings. See **Table 24.2-23** for neutral capacity by ampere rating.



**Figure 24.2-1. Conductor Configurations**

**Note:** Single-phase configurations are also available. Contact your local Eaton sales representative for additional information.

## Ground Options

**Integral ground**—uses the extruded aluminum housing as the ground/earth path. It has been designed, manufactured and UL listed as a 50% integral ground/earth path and is fully fault rated. The system ground continuity is maintained through each joint by the aluminum joint covers. The joint covers are furnished with ground/earth path contact surfaces on the inside of each cover. When installed, the contact surfaces are bolted directly to the busway ground/earth path. A highly visible label is furnished on each joint cover to alert the installer that the covers must be properly installed to maintain the ground/earth path. The result is a 50% ground/earth path with very low resistance characteristics.

**Internal ground**—uses a copper ground/earth conductor that is internal to the busway and is UL listed as a 50% ground/earth path. The internal ground/earth continuity is maintained through the Pow-R-Bridge joint in the same fashion as each phase conductor.

**Isolated internal ground**—uses the 50% internal ground/earth conductor; however, it has been isolated from the busway housing throughout the busway system and is UL listed as a 50% isolated ground/earth path.

## Housing Details

The Pow-R-Flex low-ampere busway is constructed with a heavy-duty “U”-shaped aluminum extruded base housing. The front covers are also made from extruded aluminum. The “U”-shaped base and front cover incorporate a unique hinge design to lock in the front covers on the top side. The bottom sides are fastened in place. This maintains short-circuit strength, provides clean lines, and adds to the aesthetic look and feel of the product.

The non-magnetic, all-aluminum housing provides for excellent heat dissipation and a significant reduction in reactance and magnetic flux leakage, as compared to steel, or steel and aluminum combination housings. The integrity and strength of the housing ensures specifiers and users of a safe and durable installation over a broad spectrum of applications.

A protective finish is applied by an electrostatic process. There are two color options: ANSI 61 gray or black.

## Pow-R-Bridge

Pow-R-Flex joint connections are made with the Pow-R-Bridge joint package, which is installed on each section of busway prior to shipment. A double-headed, torque-indicating bolt is provided to ensure that the proper installation torque is achieved. Fall-away instruction tags are furnished on the torque-indicating bolt heads to allow for visual inspection from a distance. When the proper torque value is achieved, the top bolt head will shear off and allow the tag to fall to the floor. Any joint that is improperly torqued will retain the highly visible (caution yellow) tag at the bolt head.

The Pow-R-Bridge can provide an adjustment of  $\pm 0.50$ -inch (12.7 mm) at each joint. Overadjustment is prevented by the joint covers, which will only allow a 0.50-inch (12.0 mm) adjustment to be made. The nonrotating design of the Pow-R-Bridge maintains its configuration integrity when it has been removed from a section of busway. The conductors, insulator plates, and insulators will not displace or swivel, making reinstallation of the Pow-R-Bridge quick and easy.

## Pow-R-Flex Feeder Busway

- 150–400 A aluminum
- 225–600 A copper

Straight sections of feeder busway can be supplied in any length, at 0.50-inch (12.7 mm) increments, from 24.00 inches (609.6 mm) minimum to 120.00 inches (3048.0 mm) maximum. Each feeder section will include one factory-installed Pow-R-Bridge on the left end of the busway when viewing the front of the busway. For added safety and reliability, there are no openings or access covers along the entire length of each feeder section.

## Pow-R-Flex Plug-In Busway

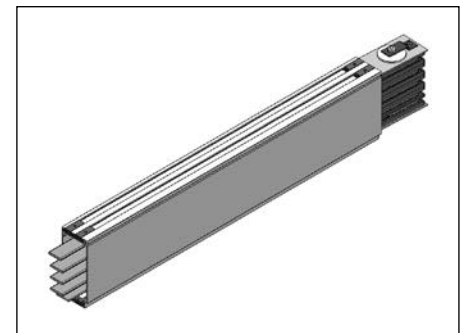
- 150–400 A aluminum
- 225–600 A copper

Straight sections of plug-in busway can be supplied in only 24.00-inch (609.6 mm) increments from 24.00 inches (609.6 mm) minimum, with a maximum of 120.00 inches (3048.0 mm).

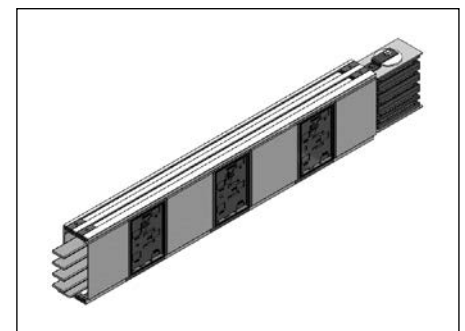
For a Pow-R-Flex type plug-in busway, a plug-in/tap-off provision cover is used. This cover hinges into the housing in the same manner as the extruded front covers and is made from the same durable, high-strength polycarbonate material as the support blocks, which are rated as Class B 130 °C insulation. The plug-in provision cover incorporates a shutter design that prevents incidental contact with the conductors inside the busway. The shutter has a positive screw close feature that prohibits the shutter from being operated and opened without the use of a tool. Once the screw is removed, it is mechanically operated by the plug-in unit when a plug-in unit is being inserted onto the busway. This shutter design puts safety first and is IP2X finger safe. One plug-in/tap-off provision cover is provided every 12.00 inches (304.8 mm) along a plug-in busway section. Each feeder section will include one factory-installed Pow-R-Bridge on the left end of the busway when viewing the front of the busway.

**Table 24.2-1. Number of Plug-In Openings**

| Duct Length<br>Inches (mm) | Number of<br>Plug-In Provisions |
|----------------------------|---------------------------------|
| 24.00 (609.6)              | 1                               |
| 48.00 (1219.2)             | 3                               |
| 72.00 (1828.8)             | 5                               |
| 96.00 (2438.4)             | 7                               |
| 120.00 (3048.0)            | 9                               |



**Figure 24.2-2. Feeder Busway**



**Figure 24.2-3. Plug-In Busway**

## Fittings

There are various fittings allowing the Pow-R-Flex low-ampere busway to meet every application need: flanges, elbows, offsets, tees, cable tap boxes, adapters, expansion joints, phase transpositions and end closures.

These fittings, along with standard and minimum dimensions, are described on the following pages.

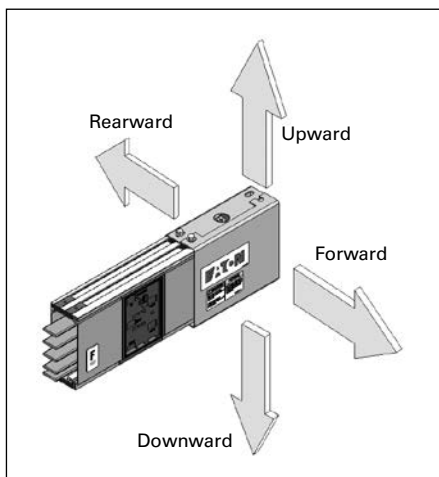
When making field measurements and layouts, it should be remembered that the dimensions are given from the centerline of the busway and the Pow-R-Bridge.

The relationship of fittings to straight lengths (forward, rearward, upward and downward) is illustrated in **Figure 24.2-4**.

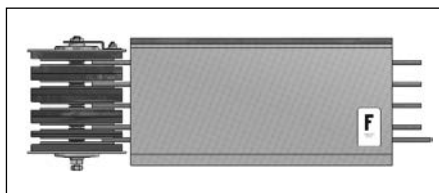
All straight lengths and fittings are marked with an "F" label. The "F" marks the front of the busway and will be noted on the construction or the as-built drawings provided by Eaton.

**Phasing** — the phasing is indicated by the location of the "F" label. When facing the front of the busway, the phasing is N-C-B-A-G top to bottom. See **Figure 24.2-5**.

**When installing Pow-R-Flex low-ampere busway, the "F" labels on the front of the busway must be aligned. Failure to do so will result in an improper installation with the phase bars out of sequence.**



**Figure 24.2-4. Busway Orientation**



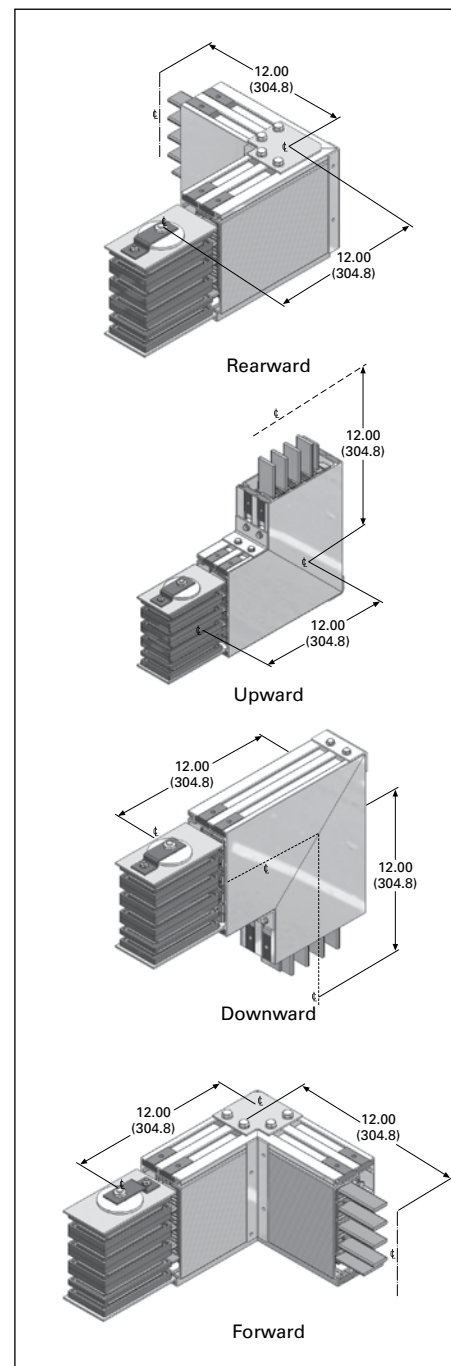
**Figure 24.2-5. Busway Phase Sequence**

## Traditional Elbows

Elbows are used to make 90-degree changes in the direction of the busway layouts. There are four types of elbows available: forward, rearward, upward and downward, allowing the busway layout to turn in any direction.

**Figure 24.2-6** shows the standard/minimum leg lengths for each type of elbow for all ratings and configurations. Nonstandard lengths are also available.

**All dimensions shown are to the centerline of the Pow-R-Bridge and centerline of the busway.**



**Figure 24.2-6. Traditional Elbows**

## Standard Flanges

Flanges provide for a direct connection to low-voltage switchgear, switchboards, panelboards, motor control centers and other electrical equipment. Cutout dimensions and drilling plans are provided with the customer installation drawings, and it is the responsibility of the equipment manufacturer to provide the opening, flange drillings, connecting hardware and bus risers in their electrical equipment. For proper coordination between the busway and other equipment, detailed drawings, including equipment orientation, must accompany the order prior to release and manufacture.

Figure 24.2-8 shows the standard/minimum flange length and phase-to-phase dimensions for all ratings and configurations. Nonstandard lengths and phase-to-phase dimensions are also available.

All dimensions shown are to the centerline of the Pow-R-Bridge measured from the top of the flange plate.

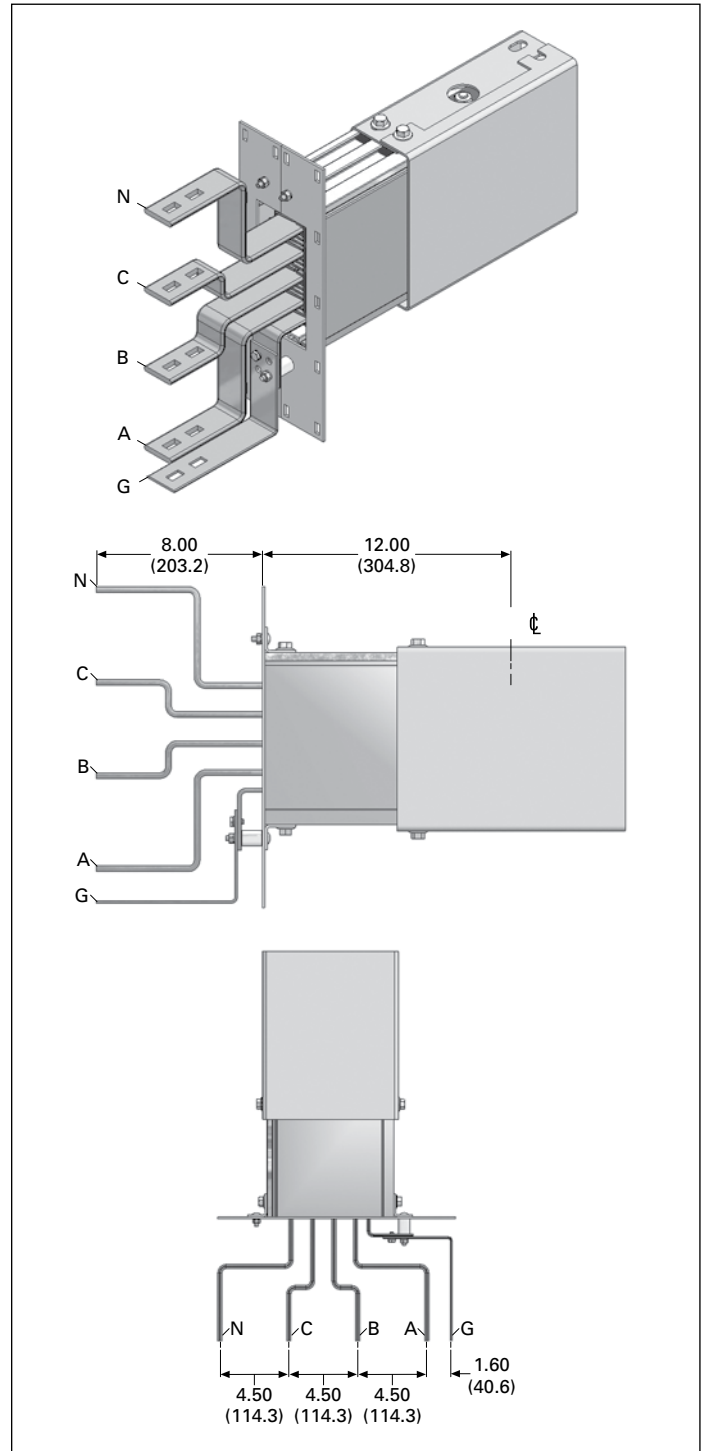


Figure 24.2-8. Standard Flanges

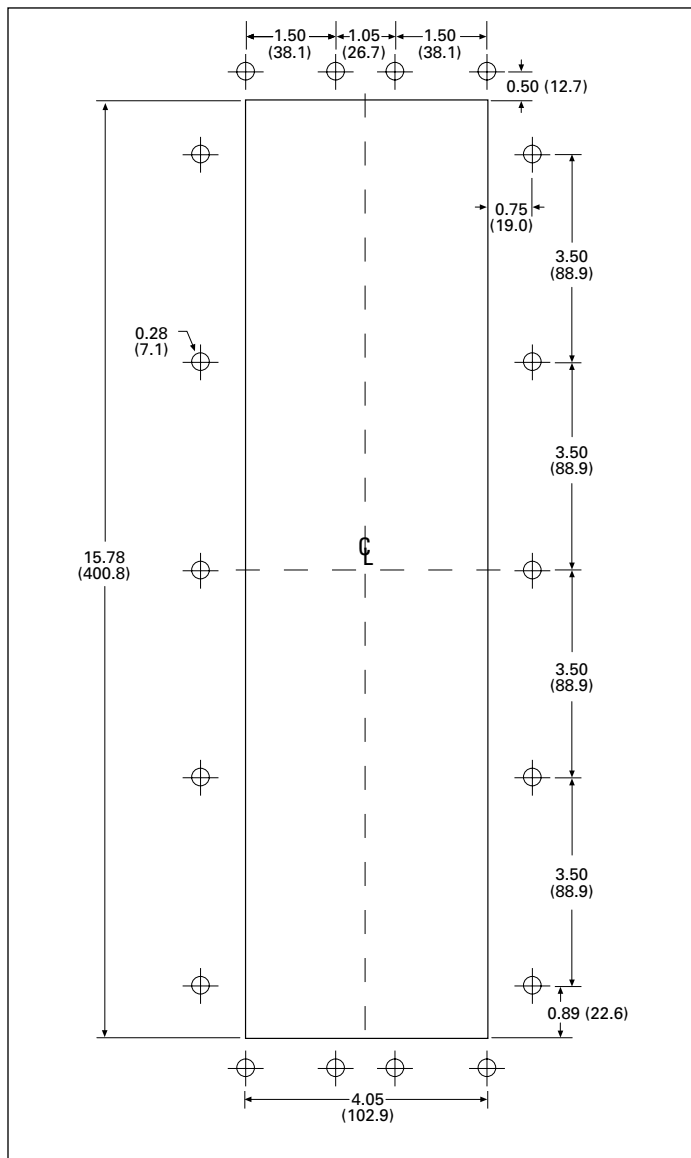


Figure 24.2-7. Flange Cutout Detail

## Offsets

An offset is used to allow the busway layout, avoid any obstacles and to conform to the building's structure. It is two elbows fabricated into a single fitting for use where space restrictions prohibit the use of two traditional elbows. There are four types of offsets available: forward, rearward, upward and downward, allowing the busway layout to offset in any direction.

Figure 24.2-9 shows the standard/minimum leg lengths for each type of offset for all ratings and configurations. Nonstandard lengths are also available.

All dimensions shown are to the centerline of the Pow-R-Bridge and centerline of the busway.

## Cable Tap Boxes

There are two types of cable tap boxes: end and center. End cable tap boxes are used to feed power to a run of busway with cable and conduit or where loads served by busway are connected without the need of overcurrent protection. There are two designs for end cable tap boxes. One is for a left-hand orientation and one for a right-hand orientation. The two separate designs allow for the bus to be mounted flush against the wall no matter which direction your busway is running. Center cable tap boxes are used to center feed a run of busway with cable and conduit or where loads served by the busway are connected without the need of overcurrent protection.

The front and back covers are removable, improving the ease of cable termination. Top and bottom access plates are removable, allowing easy access to the lugs with tools. See Figure 24.2-11 and Figure 24.2-12. There are two mechanical lugs provided: per phase and one lug for the ground.

Table 24.2-2. Terminal Conductor Range

| Rated Current (A) | Number of Lugs per Phase                                |
|-------------------|---|
| <b>Copper</b>     |   |
| 225               | Phase and neutral (1) #4–350 kcmil<br>Ground (1) #8–1/0 |
| 400               | Phase and neutral (2) #4–350 kcmil<br>Ground (1) #8–1/0 |
| 500               | Phase and neutral (2) #4–350 kcmil<br>Ground (1) #8–1/0 |
| 600               | Phase and neutral (2) #4–350 kcmil<br>Ground (1) #8–1/0 |
| <b>Aluminum</b>   |   |
| 150               | Phase and neutral (1) #4–350 kcmil<br>Ground (1) #8–1/0 |
| 225               | Phase and neutral (1) #4–350 kcmil<br>Ground (1) #8–1/0 |
| 300               | Phase and neutral (1) #4–350 kcmil<br>Ground (1) #8–1/0 |
| 400               | Phase and neutral (2) #4–350 kcmil<br>Ground (1) #8–1/0 |

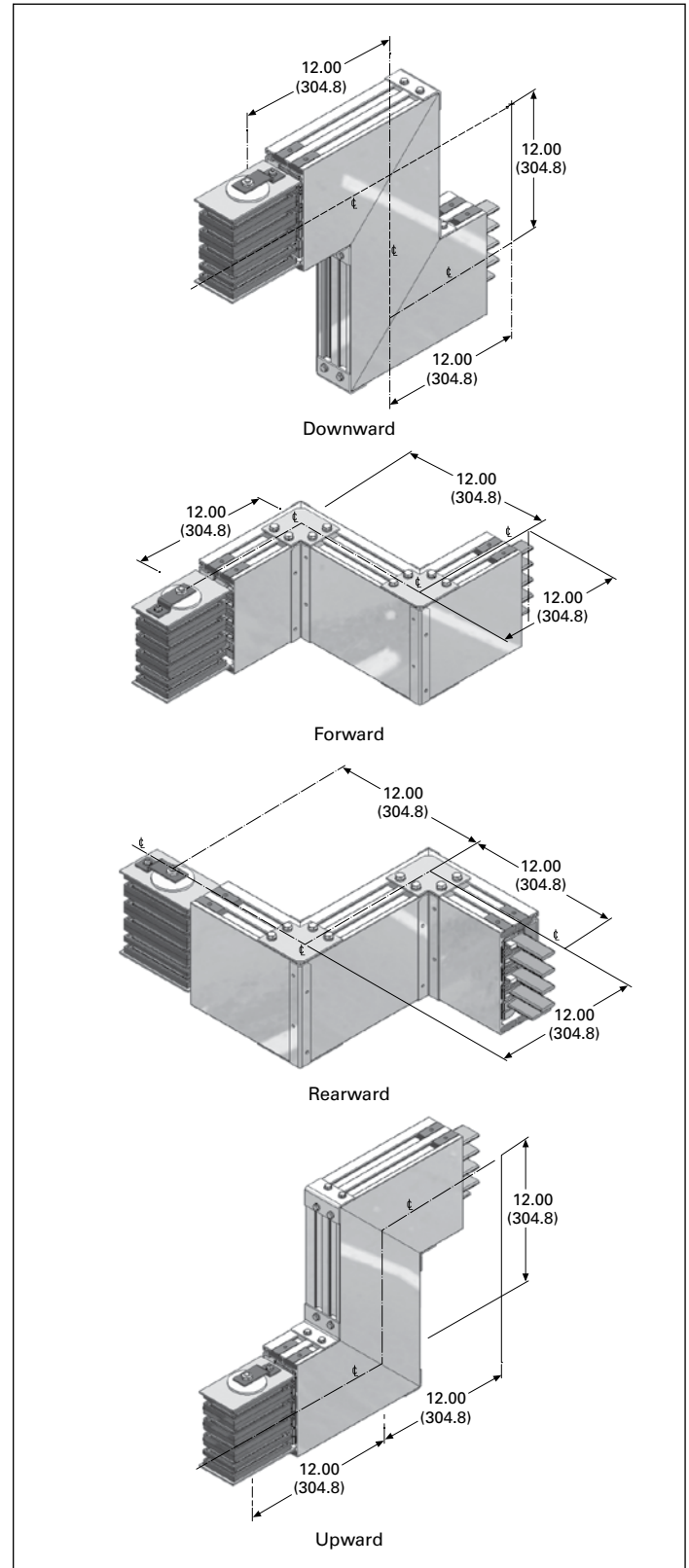


Figure 24.2-9. Offsets

Figure 24.2-11 shows the standard/minimum stub lengths for each type of cable tap box for all ratings and configurations. Nonstandard lengths and enclosure sizes are also available.

All dimensions shown are to the centerline of the Pow-R-Bridge measured from the edge of the box enclosure.

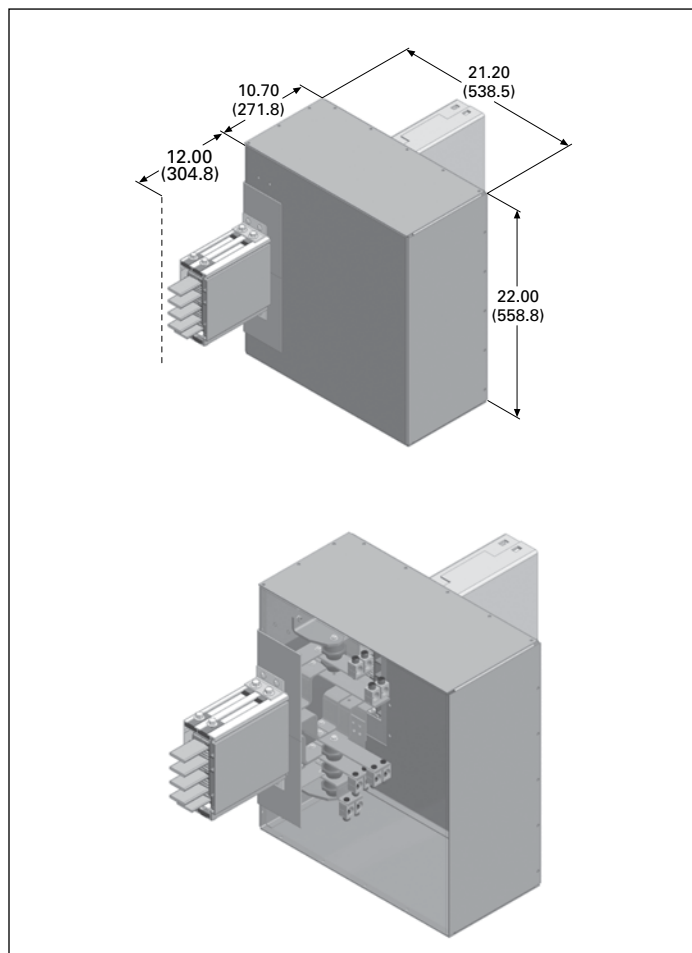


Figure 24.2-10. Center Cable Tap Box

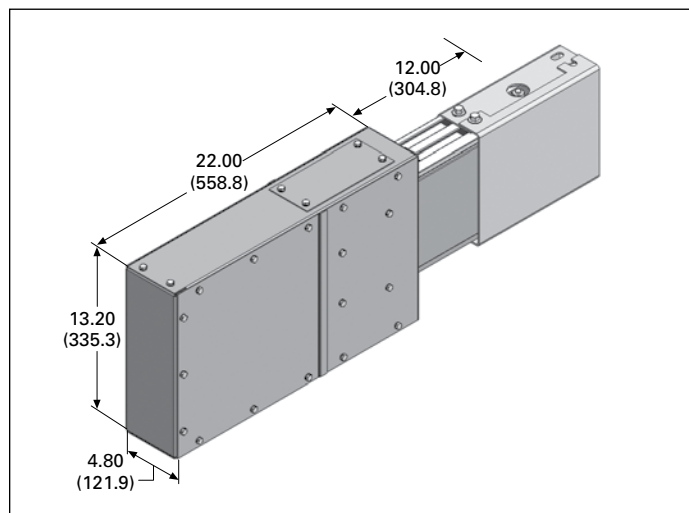


Figure 24.2-11. Left Hand—End Cable Tap Box

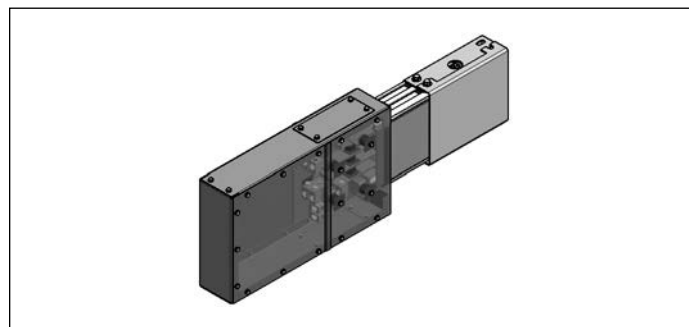


Figure 24.2-12. Left Hand—End Cable Tap Box Detail View

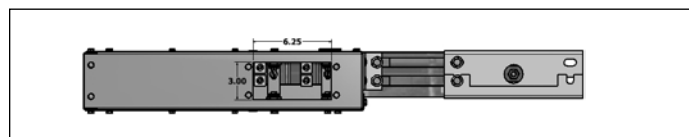


Figure 24.2-13. Left Hand—Tap Box Mechanical Lug Access

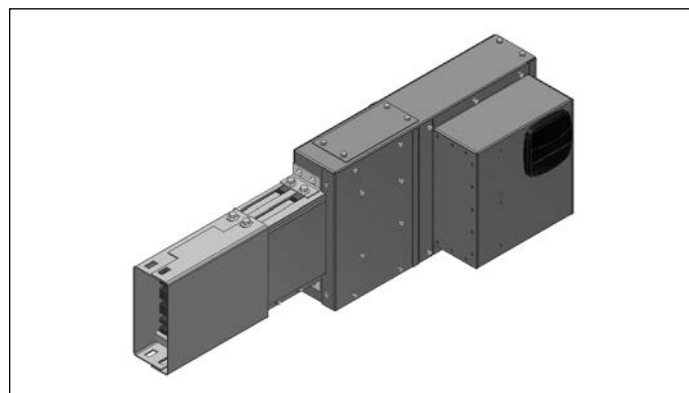


Figure 24.2-14. Right Hand—End Cable Tap Box With IQ Power Meter

## Expansion Joints

Expansion joints accommodate the expansion and contraction of bus bars with respect to the enclosure. They accommodate for the difference in the coefficient of expansion of the aluminum housing and copper or aluminum bus bar conductors. Expansion joints must be used whenever a run of busway crosses an expansion joint of a building. They should also be installed in the center of an extremely long straight run of busway; one every 300 feet (91 m) for copper and one every 225 feet (68 m) for aluminum. Usage per footage recommendations are based upon full-load ampere ratings. The use of expansion joints should be engineered for specific applications and installations. Minimum dimensions are shown in **Figure 24.2-15**.

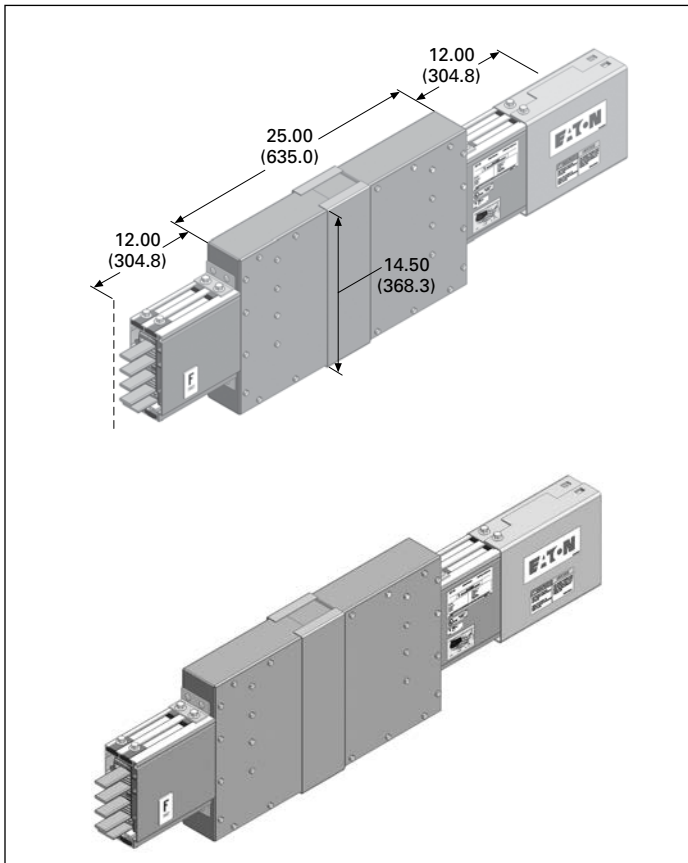


Figure 24.2-15. Expansion Joint

## Phase Transpositions

Phase transposition fittings are used in applications where a phase rotation is needed due to a change in phasing from the source equipment to the load equipment. They may also be used to correct plug-in unit orientation when the busway comes out of proper orientation for plug-in units due to the routing of the busway. There are two types of phase transpositions: 90 degree and 180 degree. In both types, all conductors are transposed. See **Figure 24.2-16** and **Figure 24.2-17** for minimum dimensions.

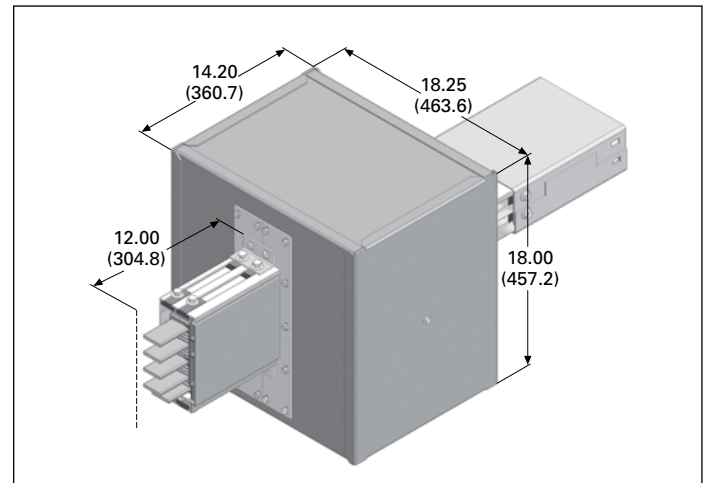


Figure 24.2-16. 90-Degree Phase Transposition

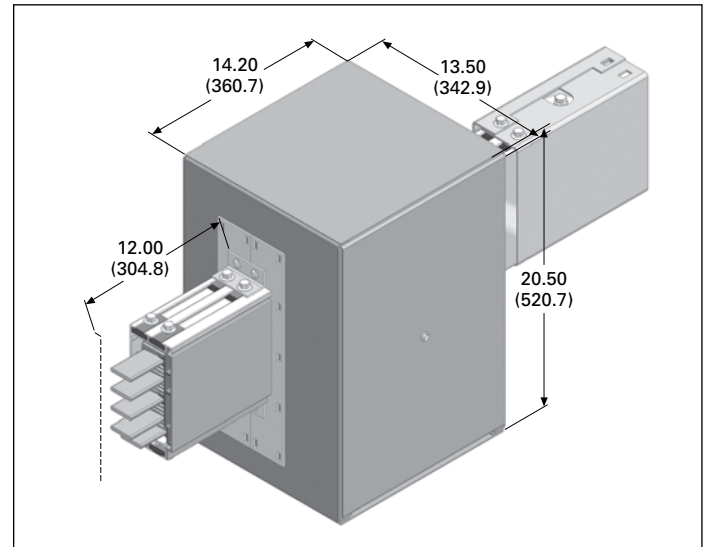


Figure 24.2-17. 180-Degree Phase Transposition



### Vapor-Fire Barriers

Vapor-fire barriers hold a two-hour fire rating and are used to seal the busway internally for penetrations through walls, floors, and other fire-rated penetrations, preventing the passage of flame, noxious gas, smoke and moisture. See **Figure 24.2-18** for minimum dimensions.

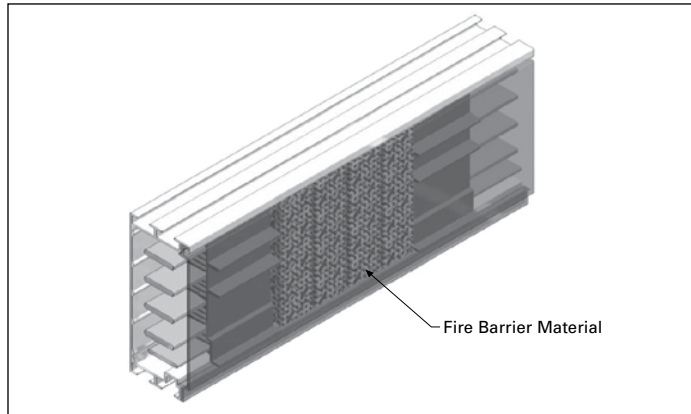


Figure 24.2-18. Vapor-Fire Barrier

### Tees (Horizontal)

Tee fittings allow for busway connection in three different horizontal directions. Pow-R-Flex tee fittings consist of special joint covers with instructions on how to place the bridge joint. The through connections connect to the short sides of the bridge joint, and the change connections connect to the long side of the bridge joint.

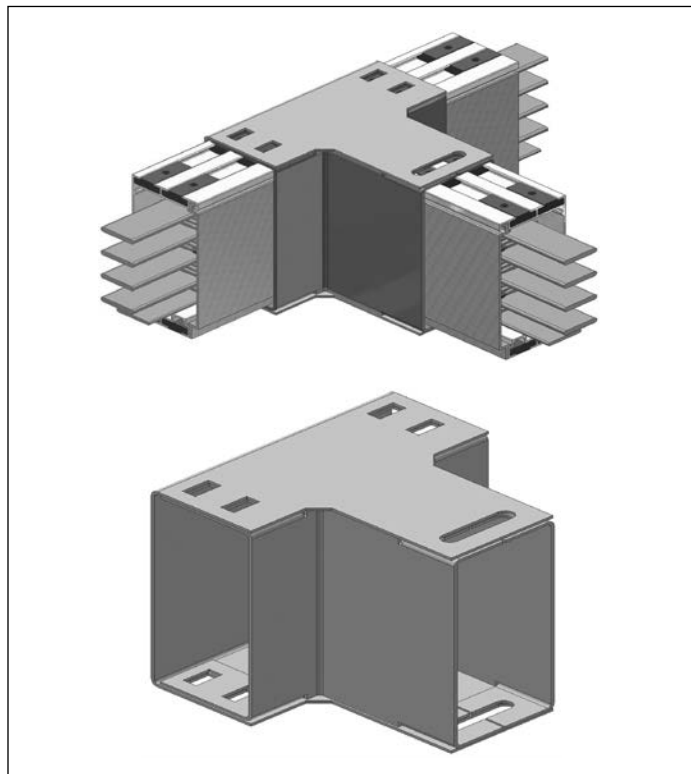


Figure 24.2-19. Horizontal Tees

### End Closers

End closers terminate a bus run and can be used to cap off either the left or right end of a section of busway. End closers enclose and prevent incidental contact with live conductors. An end closure adds 0.25 inches to the overall length of the busway run. See **Figure 24.2-20**.

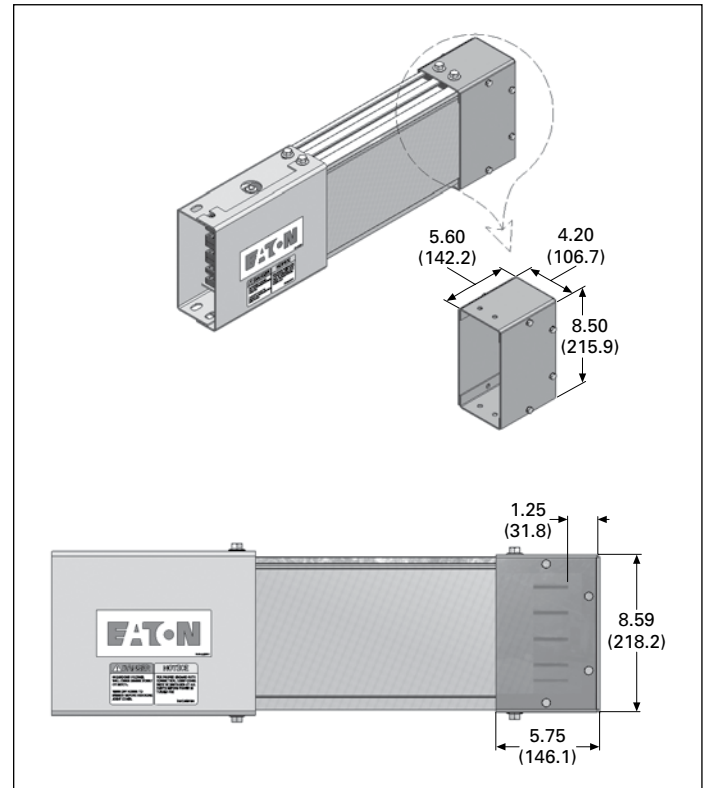


Figure 24.2-20. End Closer

## Wall Flanges

Wall flanges fit around the busway and are designed to close off the wall gap opening around the busway, made to allow the busway to pass through a wall. Wall flanges are primarily for cosmetic purposes and do not provide any type of vapor or fire barrier. See **Figure 24.2-21**.

The recommended cutout opening in a wall for the busway should be 2.00 inches (50.8 mm) greater than the busway dimensions or A x B.

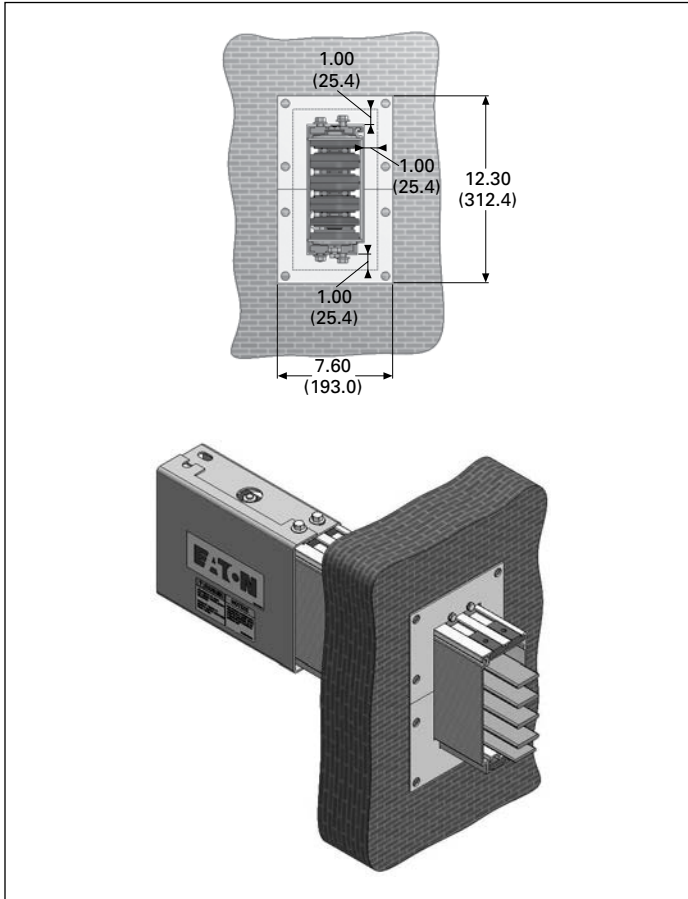


Figure 24.2-21. Wall Flange

## Hangers

### Type C Wallmount Hanger

The Type C wallmount hanger provides a means to mount the Pow-R-Flex low-ampere busway to a wall, beam, pedestal or other fixed structure. The Type C brackets are installed prior to installing the busway. Each hanger comes with the hardware to mount the hanger to the busway. One hanger should be used every 10 feet (3 m), and the busway span between hangers should not exceed 10 feet (3 m). See **Figure 24.2-22**.

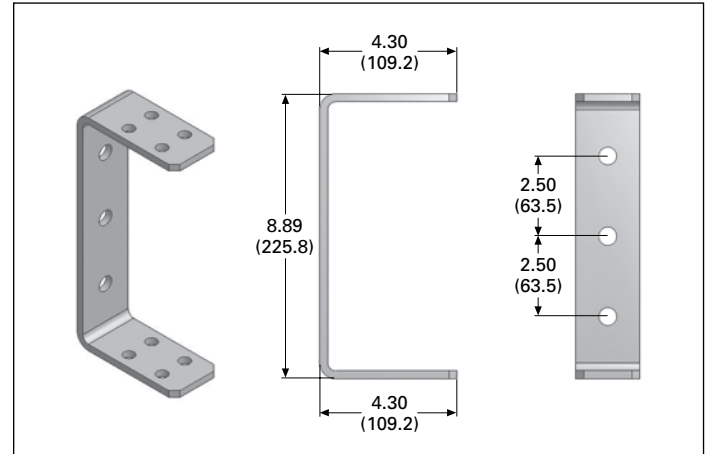


Figure 24.2-22. Type C Wallmount Hanger

### Type L Wallmount Hanger

The Type L wallmount hanger provides a means to mount the Pow-R-Flex low-ampere busway flush against a wall. The Type L brackets are sold as a two-piece hanger set and come with the hardware to mount the hanger to the busway. One hanger should be used every 10 feet (3 m), and the busway span between hangers should not exceed 10 feet (3 m). See **Figure 24.2-23**.

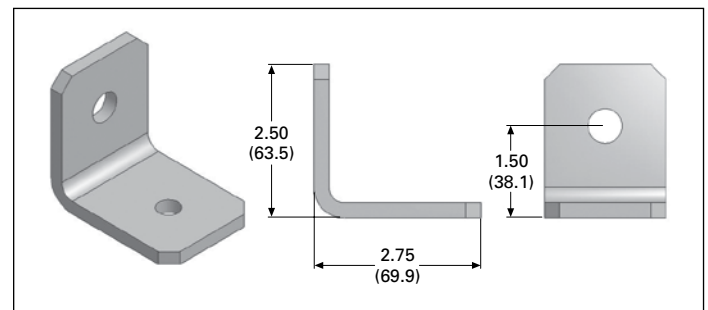
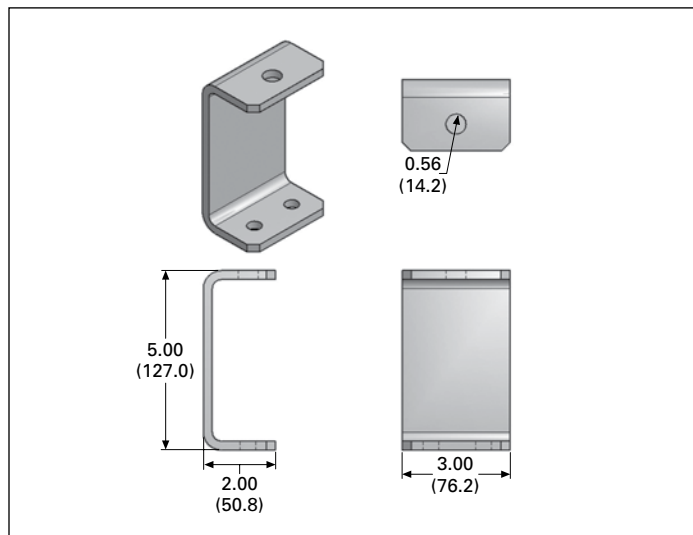


Figure 24.2-23. Type L Wallmount Hanger

### Horizontal Hanger—Single

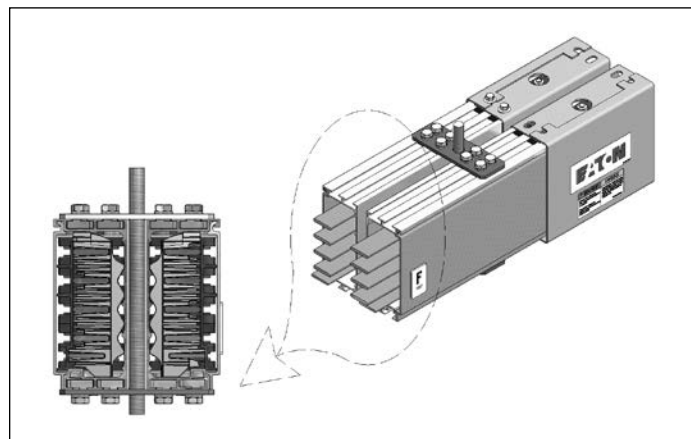
Horizontal hangers provide a means to attach a single 0.50-inch (12.7 mm) threaded drop rod to the busway, suspending the busway from above. Each hanger comes with the hardware to mount the hanger to the busway. One hanger should be used every 10 feet (3 m), and the busway span between hangers should not exceed 10 feet (3 m). See **Figure 24.2-24**.



**Figure 24.2-24. Single Hanger**

### Horizontal Hanger—Back-to-Back

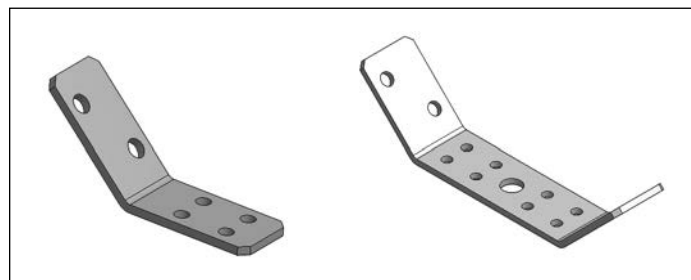
The back-to-back horizontal hanger allows two busway runs to be mounted back-to-back and suspended from above, using a single 0.50-inch (12.7 mm) threaded drop rod. Each hanger comes with the hardware to mount the hanger to the busway. One hanger should be used every 10 feet (3 m), and the busway span between hangers should not exceed 10 feet (3 m). See **Figure 24.2-25**.



**Figure 24.2-25. Back-to-Back Hanger**

### Sway Braces

Sway brace brackets provide a provision to brace the busway run at a 45-degree angle, restricting the suspended busway from swinging. There are two types of sway brace brackets: single and back-to-back. Each sway brace comes with the hardware to mount the brace to the busway. See **Figure 24.2-26**.



**Figure 24.2-26. Sway Braces**

## Busway Power Monitoring

Eaton's family of IQ electronic power meters is available to monitor each run of busway. Each power meter is attached to the end cable tap box and comes installed, ready for use. The installing contractor will need to wire the CTs to the meter. CTs are included with the power meter.

Each power meter comes with a highly visible LED display, showing metered values for each phase with its three-line display. This display is very easy to read, even if installed at a height or distance. Using the keypad and menus on the local display, users can display a variety of electrical system values or program the meter. Metered data may also be transmitted and configured remotely, depending upon the selected meter and options selected.



*IQ Meter (Front)*



*IQ Power Meter (Rear)*

**Table 24.2-3. IQ Electronic Power Meters**

| Features  | IQ 130 | IQ 140 | IQ 150 | IQ 250 | IQ 260 | PXM2000 |
|---|--------|--------|--------|--------|--------|---------|
| Current, per phase                                    | ■      | ■      | ■      | ■      | ■      | ■       |
| Current demand  | ■      | ■      | ■      | ■      | ■      | ■       |
| Calculated neutral current                            | ■      | ■      | ■      | ■      | ■      | ■       |
| Voltage, per phase (L-L, L-N)                         | ■      | ■      | ■      | ■      | ■      | ■       |
| Min./max. readings (I, V)                             | ■      | ■      | ■      | ■      | ■      | ■       |
| Min./max. readings (I, V, PF, F, W, VAR, VA)          | —      | ■      | ■      | ■      | ■      | ■       |
| Frequency   | —      | ■      | ■      | ■      | ■      | ■       |
| Real, reactive, apparent power, total (W, VAR, VA)    | —      | —      | ■      | ■      | ■      | ■       |
| Power factor, total                                   | —      | ■      | ■      | ■      | ■      | ■       |
| Real, reactive, apparent power demand                 | —      | ■      | ■      | ■      | ■      | ■       |
| Real, reactive, apparent energy, total (Wh, VAR, Vah) | —      | —      | ■      | ■      | ■      | ■       |
| Total Harmonic Distortion (THD), per phase (V, I)     | —      | —      | —      | Opt    | ■      | ■       |
| Set point driven alarm                                | —      | —      | —      | Opt    | ■      | ■       |
| I/O (Digital in/digital out, analog out, KYZ out)     | —      | —      | —      | Opt    | Opt    | Opt     |
| Logging, trend, event                                 | —      | —      | —      | —      | —      | ■       |
| Embedded Web server                                   | —      | —      | —      | —      | —      | ■       |
| Firmware flash update                                 | —      | —      | —      | —      | —      | ■       |
| Waveform display                                      | —      | —      | —      | —      | —      | ■       |
| RS-485  | Opt    | Opt    | Opt    | ■      | ■      | ■       |
| Modbus RTU  | Opt    | Opt    | Opt    | ■      | ■      | ■       |
| Modbus ASCII  | Opt    | Opt    | Opt    | ■      | ■      | ■       |
| KYZ output  | Opt    | Opt    | Opt    | ■      | ■      | ■       |
| DNP 3.0   | —      | —      | —      | ■      | ■      | ■       |
| HTTP, HTTPS   | —      | —      | —      | —      | —      | ■       |
| SNMP  | —      | —      | —      | —      | —      | ■       |
| SMTP  | —      | —      | —      | —      | —      | ■       |
| NTP   | —      | —      | —      | —      | —      | ■       |

## Plug-In Unit Overcurrent Protective Devices

A variety of plug-in units have been designed for the Pow-R-Flex low-ampere busway to meet multiple applications and a variety of installation conditions. Plug-in unit devices provide easy and flexible access to a building's electrical power system, while providing safe overcurrent protection to equipment and wiring.

All Pow-R-Flex plug-in units are designed with the safety of the installer and user as the key criteria. The following safety features are standard for all fusible and molded case circuit breaker plug-in units:

- Each plug-in unit ground stab makes positive contact with the busway ground (integral or internal) before the phase or neutral stabs contact the bus bars
- Plug-in unit molded guide tabs are provided in the stab support base. These ensure proper phase alignment and open the busway outlet shutter mechanism
- Each plug-in unit has an interface bracket, which prevents the unit from being installed onto or removed from the busway, while the device is in the on/closed position
- Each plug-in unit has a door interlock, preventing the front cover from being opened while the device is in the on/closed position and preventing accidental closing of the device while the front cover is open
- Line-side barriers are provided over the line-side terminal to help prevent accidental contact with line-side connections
- When the plug-in unit is installed, the stab-base assembly on the plug-in unit is recessed into the busway outlet cover to help seal against moisture and dust
- Each plug-in unit has mounting flanges, which help protect the stab-base assembly and have captive hardware that bolt the unit securely to the busway

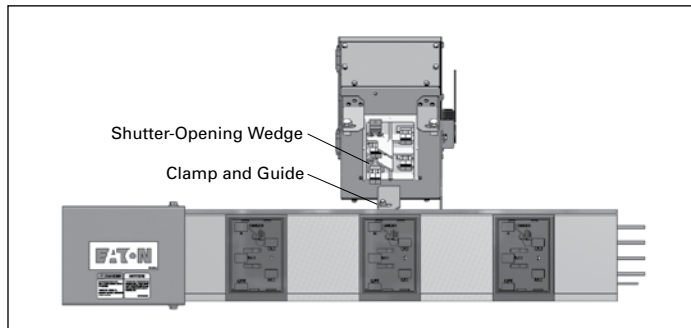


Figure 24.2-27. Plug-In Stab Assembly Details

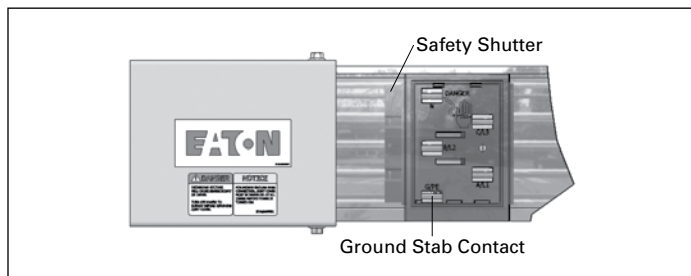


Figure 24.2-28. Plug-In Outlet Details

## Plug-In Cable Tap Boxes

Plug-in cable tap boxes are used to back feed power to a run-off busway, or where equipment served by the busway is connected without overcurrent protection. Plug-in cable tap boxes fit into any plug-in provision on a plug-in type busway. See Figure 24.2-29.

Table 24.2-4. Plug-In Cable Tap Box Details

| Catalog Number | Ampere Rating | Mechanical Lugs (Standard) | Mechanical Lugs (Metric) |
|----------------|---------------|----------------------------|--------------------------|
| LAPTB100MG     | 100           | #6-3Ø                      | 4.11-10.40 mm            |
| LAPTB100MGN    | 100           | #6-3Ø                      | 4.11-10.40 mm            |
| LAPTB200MG     | 200           | #6-3Ø                      | 4.11-10.40 mm            |
| LAPTB200MGN    | 200           | #6-3Ø                      | 4.11-10.40 mm            |

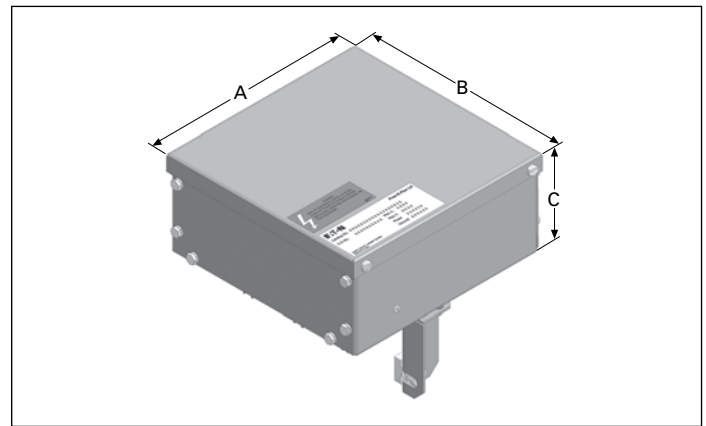


Figure 24.2-29. Plug-In Cable Tap Box

Table 24.2-5. Plug-In Cable Tap Box Dimensions in Inches (mm)

| Catalog Number | A            | B             | C            |
|----------------|--------------|---------------|--------------|
| LAPTB100MG     | 9.33 (237.0) | 18.21 (462.5) | 8.18 (207.8) |
| LAPTB100MGN    | 9.33 (237.0) | 18.21 (462.5) | 8.18 (207.8) |
| LAPTB200MG     | 9.33 (237.0) | 18.21 (462.5) | 8.18 (207.8) |
| LAPTB200MGN    | 9.33 (237.0) | 18.21 (462.5) | 8.18 (207.8) |

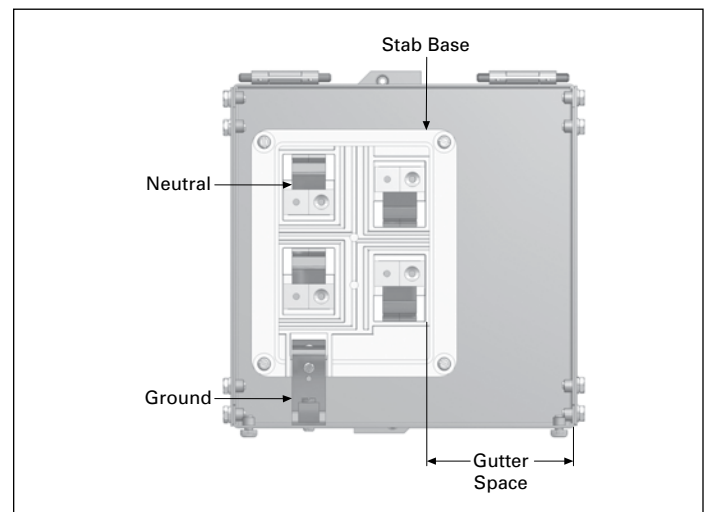


Figure 24.2-30. Plug-In Cable Tap Box Details

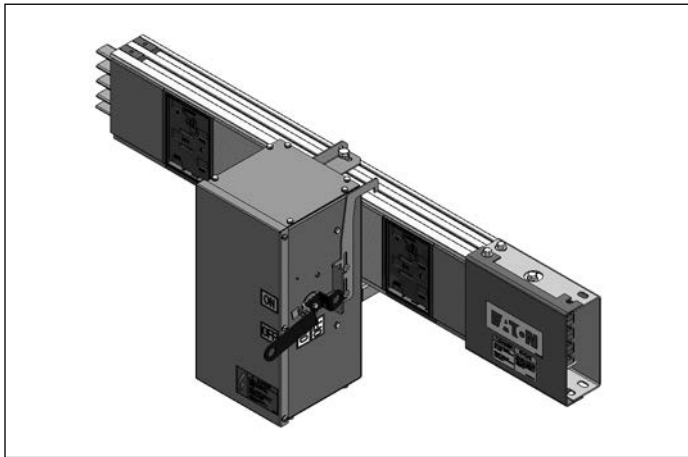


Figure 24.2-31. Plug-In Device Mounting

### Circuit Breaker Plug-In Units

Circuit breaker plug-in units are stock and come with the circuit breaker fully installed, ready for installation and termination. All units are three-phase with three-pole Eaton Series C<sup>®</sup> molded case circuit breakers.

Table 24.2-6. Circuit Breaker Interrupting Ratings (kA Symmetrical)

| Ampere Rating | 240 Vac | 480 Vac | 600 Vac | Breaker Frame |
|---------------|---------|---------|---------|---------------|
| 15–225        | 65      | —       | —       | ED            |
| 15–100        | 18      | 14      | —       | EHD           |
| 15–150        | 18      | 14      | 14      | FDB           |
| 15–225        | 65      | 35      | 18      | FD            |
| 15–225        | 100     | 65      | 25      | HFD           |
| 70–250        | 65      | 35      | 18      | JDB           |
| 70–250        | 65      | 35      | 18      | JD            |
| 70–250        | 100     | 65      | 25      | HJD           |

Note: 100%-rated circuit breakers are not for use in plug-in units.

Table 24.2-7. Breaker Unit Selection Chart

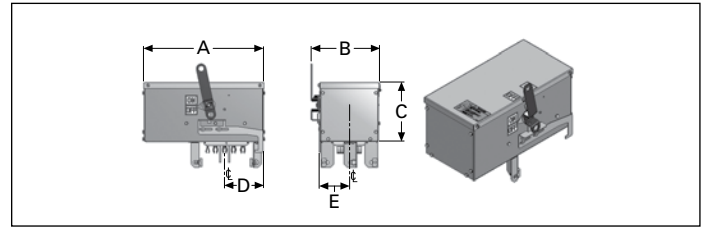
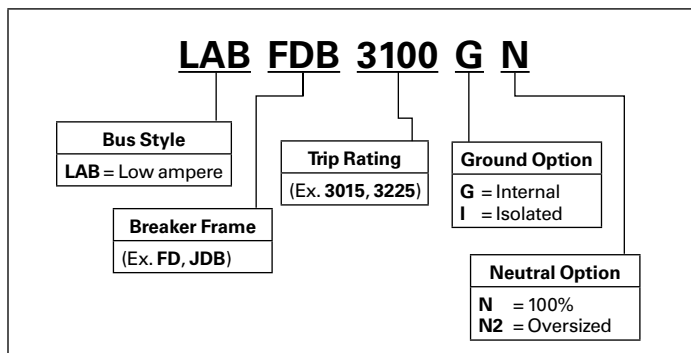


Figure 24.2-32. Circuit Breaker Plug-In Unit Dimensions

Table 24.2-8. Breaker Plug-In Unit Dimensions

| Plug-In Unit    | Max. Amperes | Max. Voltage | A             | B             | C            | D            | E            |
|-----------------|--------------|--------------|---------------|---------------|--------------|--------------|--------------|
| LABFD (F-Frame) | 225          | 600          | 18.00 (457.2) | 10.80 (274.3) | 8.17 (207.5) | 5.97 (151.6) | 4.80 (121.9) |
| LABJD (J-Frame) | 250          | 600          | 18.56 (471.4) | 10.80 (274.3) | 9.08 (230.6) | 5.97 (151.6) | 4.61 (117.1) |

Table 24.2-9. Breaker Plug-In Unit Physical Data

| Plug-In Unit    | Mechanical Terminals   | Approximate Weight lbs |
|-----------------|------------------------|------------------------|
| LABFD (F-Frame) | Cu/Al-(1)#4–4/0        | 25                     |
| LABJD (J-Frame) | Cu/Al-(1)#14–350 kcmil | 40                     |

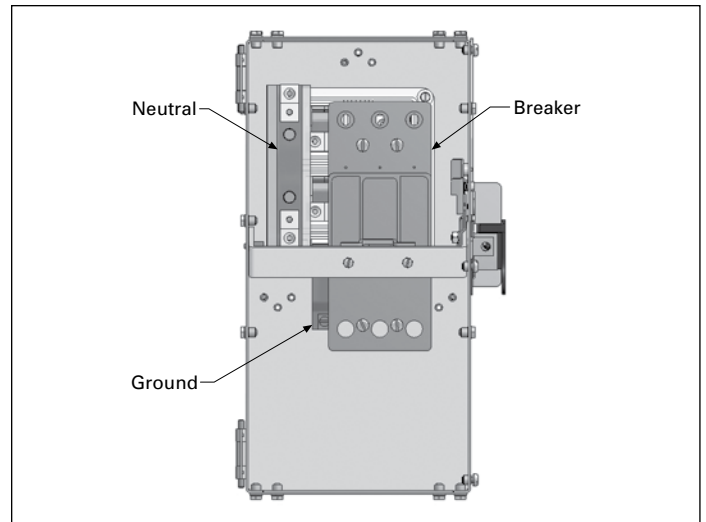


Figure 24.2-33. Circuit Breaker Plug-In Unit Details

## Surge Protective Device Plug-In Units

The Pow-R-Flex plug-in device product offering includes surge protective devices (SPD), which are ideal for busway-fed distribution systems. A transient voltage is a random high-energy, short-duration electrical anomaly. These high-energy surges can disrupt, damage, or destroy sensitive microprocessor-based equipment. Eaton has developed the SPD series of products to ensure that quality power is supplied to commercial, industrial, medical, institutional and data-center facilities.

The SPD device not only protects against externally created impulse transients, such as lightning, utility capacitor switching and disturbances emitted by adjacent facilities, but also provides needed protection against internal transients. This type of transient is generated within a facility's own distribution system. Sources of internally generated or ring-wave transients are imaging equipment, variable-frequency drives, lighting dimmers, arc welders, and the switching on and off of electrical distribution equipment.

The SPDs also offer units that filter repetitive electrical line noise (EMI/RFI), which is defined as any unwanted electrical signal that produces undesirable effects in the circuits of sensitive electronic equipment or disturbances that are two times peak voltage. The suppression of AC transients is accomplished through the use of thermally protected metal-oxide varistors (MOVs), which provide a low-impedance path to divert surges away from loads. Electrical line noise and ringing transients are eliminated by adding filtering capacitors to the suppression device.

The benefits of combining SPDs and filtering are reduced MOV stress (resulting in a longer life cycle), lower let-through voltage, better noise attenuation levels and increased reliability.

Because the SPD units are directly connected to the busway, they are able to minimize let-through voltage and isolate critical loads, which are fed from a protected busway run. Due to the integrated design, the SPD plug-in units save the user wall space and greatly reduce the installed project cost. The SPD plug-in units are furnished with a breaker disconnect. For catalog numbers and selection criteria, see **Table 24.2-10**.

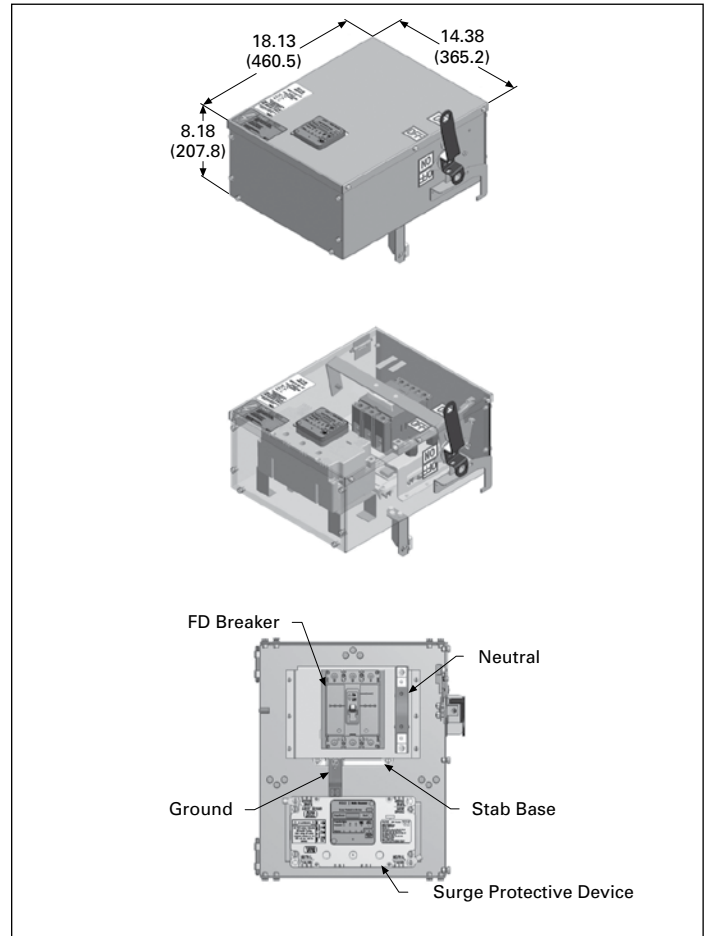


Figure 24.2-34. SPD Plug-In Unit

Table 24.2-10. SPD Plug-In Unit Selection Chart

| <b>LABSPD 250 480Y 2 C</b>  |                         |             |    |     |     |     |     |     |     |     |  |  |  |  |  |  |  |                                       |   |   |   |   |
|---|-------------------------|-------------|----|-----|-----|-----|-----|-----|-----|-----|--|--|--|--|--|--|--|---------------------------------------|---|---|---|---|
| Fixed—Do Not Change   | Voltage Code            | Option Code |    |     |     |     |     |     |     |     |  |  |  |  |  |  |  |                                       |   |   |   |   |
| <table border="1"> <thead> <tr> <th>Surge Rating (kA/Phase)</th> </tr> </thead> <tbody> <tr><td>50</td></tr> <tr><td>80</td></tr> <tr><td>100</td></tr> <tr><td>120</td></tr> <tr><td>160</td></tr> <tr><td>200</td></tr> <tr><td>250</td></tr> <tr><td>300</td></tr> <tr><td>400</td></tr> </tbody> </table>   | Surge Rating (kA/Phase) | 50          | 80 | 100 | 120 | 160 | 200 | 250 | 300 | 400 | <table border="1"> <tbody> <tr><td>208Y = 208Y/120 V (four-wire + ground)</td></tr> <tr><td>400Y = 400Y/230 V (four-wire + ground)</td></tr> <tr><td>480Y = 480Y/277 V (four-wire + ground)</td></tr> <tr><td>600Y = 600Y/347 V (four-wire + ground)</td></tr> <tr><td>240D = 240 Delta (three-wire + ground)</td></tr> <tr><td>480D = 240 Delta (three-wire + ground)</td></tr> <tr><td>600D = 240 Delta (four-wire + ground)</td></tr> </tbody> </table> | 208Y = 208Y/120 V (four-wire + ground) | 400Y = 400Y/230 V (four-wire + ground) | 480Y = 480Y/277 V (four-wire + ground) | 600Y = 600Y/347 V (four-wire + ground) | 240D = 240 Delta (three-wire + ground) | 480D = 240 Delta (three-wire + ground) | 600D = 240 Delta (four-wire + ground) | <table border="1"> <tbody> <tr><td><b>1 = Basic</b>—Dual-colored LED per phase to indicate protection status of the N-G mode on units with a neutral wire, single-colored LED to indicate the lack of a neutral wire connection on systems with a neutral wire.</td></tr> <tr><td><b>S = Standard</b>—Dual-colored LED per phase to indicate protection status of the N-G mode on units with a neutral wire, single-colored LED to indicate the lack of a neutral wire connection on systems with a neutral wire, audible alarm with silence button, and Form C relay contact.</td></tr> <tr><td><b>N = Standard + Surge Counter</b>—Dual-colored LED per phase to indicate protection status of the N-G mode on units with a neutral wire, single-colored LED to indicate the lack of a neutral wire connection on systems with a neutral wire, audible alarm with silence button, Form C relay contact, EMI/RFI filtering providing up to 50 dB of noise attenuation from 10 kHz to 100 MHz, and surge counter with reset button.</td></tr> </tbody> </table> | <b>1 = Basic</b> —Dual-colored LED per phase to indicate protection status of the N-G mode on units with a neutral wire, single-colored LED to indicate the lack of a neutral wire connection on systems with a neutral wire. | <b>S = Standard</b> —Dual-colored LED per phase to indicate protection status of the N-G mode on units with a neutral wire, single-colored LED to indicate the lack of a neutral wire connection on systems with a neutral wire, audible alarm with silence button, and Form C relay contact. | <b>N = Standard + Surge Counter</b> —Dual-colored LED per phase to indicate protection status of the N-G mode on units with a neutral wire, single-colored LED to indicate the lack of a neutral wire connection on systems with a neutral wire, audible alarm with silence button, Form C relay contact, EMI/RFI filtering providing up to 50 dB of noise attenuation from 10 kHz to 100 MHz, and surge counter with reset button. |
| Surge Rating (kA/Phase)   |                         |             |    |     |     |     |     |     |     |     |  |  |  |  |  |  |  |                                       |   |   |   |   |
| 50  |                         |             |    |     |     |     |     |     |     |     |  |  |  |  |  |  |  |                                       |   |   |   |   |
| 80  |                         |             |    |     |     |     |     |     |     |     |  |  |  |  |  |  |  |                                       |   |   |   |   |
| 100   |                         |             |    |     |     |     |     |     |     |     |  |  |  |  |  |  |  |                                       |   |   |   |   |
| 120   |                         |             |    |     |     |     |     |     |     |     |  |  |  |  |  |  |  |                                       |   |   |   |   |
| 160   |                         |             |    |     |     |     |     |     |     |     |  |  |  |  |  |  |  |                                       |   |   |   |   |
| 200   |                         |             |    |     |     |     |     |     |     |     |  |  |  |  |  |  |  |                                       |   |   |   |   |
| 250   |                         |             |    |     |     |     |     |     |     |     |  |  |  |  |  |  |  |                                       |   |   |   |   |
| 300   |                         |             |    |     |     |     |     |     |     |     |  |  |  |  |  |  |  |                                       |   |   |   |   |
| 400   |                         |             |    |     |     |     |     |     |     |     |  |  |  |  |  |  |  |                                       |   |   |   |   |
| 208Y = 208Y/120 V (four-wire + ground)  |                         |             |    |     |     |     |     |     |     |     |  |  |  |  |  |  |  |                                       |   |   |   |   |
| 400Y = 400Y/230 V (four-wire + ground)  |                         |             |    |     |     |     |     |     |     |     |  |  |  |  |  |  |  |                                       |   |   |   |   |
| 480Y = 480Y/277 V (four-wire + ground)  |                         |             |    |     |     |     |     |     |     |     |  |  |  |  |  |  |  |                                       |   |   |   |   |
| 600Y = 600Y/347 V (four-wire + ground)  |                         |             |    |     |     |     |     |     |     |     |  |  |  |  |  |  |  |                                       |   |   |   |   |
| 240D = 240 Delta (three-wire + ground)  |                         |             |    |     |     |     |     |     |     |     |  |  |  |  |  |  |  |                                       |   |   |   |   |
| 480D = 240 Delta (three-wire + ground)  |                         |             |    |     |     |     |     |     |     |     |  |  |  |  |  |  |  |                                       |   |   |   |   |
| 600D = 240 Delta (four-wire + ground)   |                         |             |    |     |     |     |     |     |     |     |  |  |  |  |  |  |  |                                       |   |   |   |   |
| <b>1 = Basic</b> —Dual-colored LED per phase to indicate protection status of the N-G mode on units with a neutral wire, single-colored LED to indicate the lack of a neutral wire connection on systems with a neutral wire.   |                         |             |    |     |     |     |     |     |     |     |  |  |  |  |  |  |  |                                       |   |   |   |   |
| <b>S = Standard</b> —Dual-colored LED per phase to indicate protection status of the N-G mode on units with a neutral wire, single-colored LED to indicate the lack of a neutral wire connection on systems with a neutral wire, audible alarm with silence button, and Form C relay contact.   |                         |             |    |     |     |     |     |     |     |     |  |  |  |  |  |  |  |                                       |   |   |   |   |
| <b>N = Standard + Surge Counter</b> —Dual-colored LED per phase to indicate protection status of the N-G mode on units with a neutral wire, single-colored LED to indicate the lack of a neutral wire connection on systems with a neutral wire, audible alarm with silence button, Form C relay contact, EMI/RFI filtering providing up to 50 dB of noise attenuation from 10 kHz to 100 MHz, and surge counter with reset button. |                         |             |    |     |     |     |     |     |     |     |  |  |  |  |  |  |  |                                       |   |   |   |   |
| Fixed—Do Not Change   |                         |             |    |     |     |     |     |     |     |     |  |  |  |  |  |  |  |                                       |   |   |   |   |

## Receptacle Plug-In Units

Eaton's unique receptacle plug-in unit design makes them the most flexible receptacle units in the industry. Pow-R-Flex receptacle plug-in units come fully assembled and wired, reducing installation time. Each unit is built to order, based upon receptacle type and rating combinations. Additionally, each individual unit has been optimally phased balanced and are also optimally phased balanced for the entire run, based upon the combination of receptacle plug-in units on the run. This eliminates the need to manually phase balance during installation. They are UL 857 and CSA listed, and come in seven different styles with two different breaker options, using standard NEMA receptacle configurations.

**Table 24.2-11. Maximum 240 V Plug-In Units**

| Plug-In Unit Type | Maximum Ampere Rating | Maximum Ampere Rating/Circuit | Number of Circuits | Receptacle Mounting |
|-------------------|-----------------------|-------------------------------|--------------------|---------------------|
| Single            | 60                    | 60                            | 1                  | Fixed/cord          |
| Double            | 120                   | 60                            | 2                  | Fixed/cord          |
| Quad              | 120                   | 60                            | 4                  | Fixed/cord          |

**Table 24.2-12. Maximum 400/480/600 V Plug-In Units**

| Plug-In Unit Type | Maximum Ampere Rating | Maximum Ampere Rating/Circuit | Number of Circuits | Receptacle Mounting |
|-------------------|-----------------------|-------------------------------|--------------------|---------------------|
| Single            | 60                    | 60                            | 1                  | Fixed/cord          |
| Double            | 120                   | 60                            | 2                  | Fixed/cord          |
| Quad              | 240                   | 60                            | 4                  | Fixed/cord          |

**Note:** For receptacle options, see receptacle selection chart.

**Table 24.2-13. Receptacle Unit Physical Dimensions in Inches (mm)**

| Plug-In Unit Type | Protective Device | Voltage | Width         | Height        | Depth        |
|-------------------|-------------------|---------|---------------|---------------|--------------|
| Single            | GHC               | 480     | 7.50 (190.5)  | 8.60 (218.4)  | 4.00 (101.6) |
|                   | FD                | 400     | 8.50 (215.9)  | 11.50 (292.1) | 6.50 (165.1) |
|                   | FD                | 480     | 8.50 (215.9)  | 11.50 (292.1) | 6.50 (165.1) |
|                   | CCP switch        | 400     | 7.50 (190.5)  | 8.60 (218.4)  | 4.00 (101.6) |
|                   | CCP switch        | 480     | 7.50 (190.5)  | 8.60 (218.4)  | 4.00 (101.6) |
| Double            | GHC               | 480     | 11.80 (299.7) | 8.75 (222.3)  | 4.00 (101.6) |
|                   | FD                | 400     | 11.00 (279.4) | 12.00 (304.8) | 6.40 (162.6) |
|                   | FD                | 480     | 11.00 (279.4) | 12.00 (304.8) | 6.40 (162.6) |
|                   | CCP switch        | 400     | 11.80 (299.7) | 8.75 (222.3)  | 4.00 (101.6) |
|                   | CCP switch        | 480     | 11.80 (299.7) | 8.75 (222.3)  | 4.00 (101.6) |
| Quad              | FD                | 240     | 20.50 (520.7) | 11.30 (287.0) | 7.10 (180.3) |
|                   | FD                | 400     | 20.50 (520.7) | 11.30 (287.0) | 7.10 (180.3) |
|                   | FD                | 480     | 20.50 (520.7) | 11.30 (287.0) | 7.10 (180.3) |

**Table 24.2-14. Receptacle Unit Short-Circuit Withstand Rating (rms Symmetrical)**

| Plug-In Unit Type | Breaker Type | 240 V    | 400 V    | 480 V    |
|-------------------|--------------|----------|----------|----------|
| Single            | GHC          | 10,000 A | 10,000 A | 10,000 A |
|                   | FD ①         | 22,000 A | 10,000 A | 10,000 A |
|                   | CCP switch ② | 42,000 A | 42,000 A | 42,000 A |
| Double            | GHC          | 10,000 A | 10,000 A | 10,000 A |
|                   | FD ①         | 22,000 A | 10,000 A | 10,000 A |
|                   | CCP switch ② | 42,000 A | 42,000 A | 42,000 A |
| Quad              | GHC          | 10,000 A | 10,000 A | 10,000 A |
|                   | FD ①         | 22,000 A | 10,000 A | 10,000 A |
|                   | CCP switch ② | 42,000 A | 42,000 A | 42,000 A |

① 25 kAIC is available for single-phase connectors at 240 V.

② The short-circuit rating of the plug-in unit will match that of the busway that it is installed.

## NEMA Receptacle Configurations

**Table 24.2-15. Straight-Blade Receptacles**

| Phase  | Voltage | Configuration                   | 15 A    | 20 A    | 30 A   | 50 A | 60 A |
|--------|---------|---------------------------------|---------|---------|--------|------|------|
| Single | 125 V   | Two-pole, three-wire, grounded  | 5-15R ③ | 5-20R ③ | 5-30R  | —    | —    |
|        | 250 V   | Two-pole, three-wire, grounded  | 6-15R ③ | 6-20R ③ | 6-30R  | —    | —    |
|        | 277 V   | Two-pole, three-wire, grounded  | 7-15R   | 7-20R   | —      | —    | —    |
| Three  | 250 V   | Three-pole, four-wire, grounded | 15-15R  | 15-20R  | 15-30R | —    | —    |

③ Available in a duplex configuration.

**Table 24.2-16. Twist-Lock Receptacles**

| Phase  | Voltage   | Configuration                   | 15 A     | 20 A    | 30 A    | 50 A     | 60 A |
|--------|-----------|---------------------------------|----------|---------|---------|----------|------|
| Single | 125 V     | Two-pole, three-wire, grounded  | L5-15R ④ | L5-20R  | L5-30R  | CS6360 ⑤ | —    |
|        | 250 V     | Two-pole, three-wire, grounded  | L6-15R ④ | L6-20R  | L6-30R  | CS8264 ⑤ | —    |
|        | 277 V     | Two-pole, three-wire, grounded  | L7-15R   | L7-20R  | L7-30R  | —        | —    |
|        | 480 V     | Two-pole, three-wire, grounded  | —        | L8-20R  | L8-30R  | —        | —    |
| Three  | 250 V     | Three-pole, four-wire, grounded | —        | L15-20R | L15-30R | CS8364 ⑤ | —    |
|        | 208/120 V | Three-pole, five-wire, grounded | —        | L21-20R | L21-30R | —        | —    |
|        | 480/277 V | Three-pole, five-wire, grounded | —        | L22-20R | L22-30R | —        | —    |

④ Available in a duplex configuration.

⑤ California standard receptacles.

**Table 24.2-17. Pin and Sleeve Connectors (UL and IEC 309)**

| Phase  | Voltage   | Configuration                   | 15 A | 20 A    | 30 A    | 50 A | 60 A    |
|--------|-----------|---------------------------------|------|---------|---------|------|---------|
| Single | 125 V     | Two-pole, three-wire, grounded  | —    | P5-20C  | P5-30C  | —    | P5-60C  |
|        | 250 V     | Two-pole, three-wire, grounded  | —    | P6-20C  | P6-30C  | —    | P6-60C  |
|        | 277 V     | Two-pole, three-wire, grounded  | —    | P7-20C  | P7-30C  | —    | P7-60C  |
| Three  | 250 V     | Three-pole, four-wire, grounded | —    | P15-20C | P15-30C | —    | P15-60C |
|        | 208/120 V | Three-pole, five-wire, grounded | —    | P21-20C | P21-30C | —    | P21-60C |
|        | 480/277 V | Three-pole, five-wire, grounded | —    | P22-20C | P22-30C | —    | P22-60C |

**Note:** For other receptacle options, contact the factory. 480/277 V receptacles may be applied at 400/230 V.



### GHC Single Receptacle Unit (480 V Max.)

The single receptacle unit shown in **Figure 24.2-35** is configured to order based upon the receptacle type and rating. These units are three-phase and can service single- or three-phase loads, 120 V, 240 V, 208/120 V, 400/230 V and 480/277 V. They use Type GHC Series C molded case breaker (10 kAIC), single-, two- or three-pole breakers. Each unit comes with one receptacle, with the breaker sized per the receptacle rating. Each receptacle can be fixed-mounted to the front of the enclosure or cable-mounted to a cord drop coming out of the bottom of the enclosure. See **Figure 24.2-36**. Cord drop lengths may be 1–15 ft in 1-ft increments. Consult NEC Sections 368, 400 and 645 for cord drop applications.



**Figure 24.2-35. Single Receptacle Unit (Enclosure Mounted)**



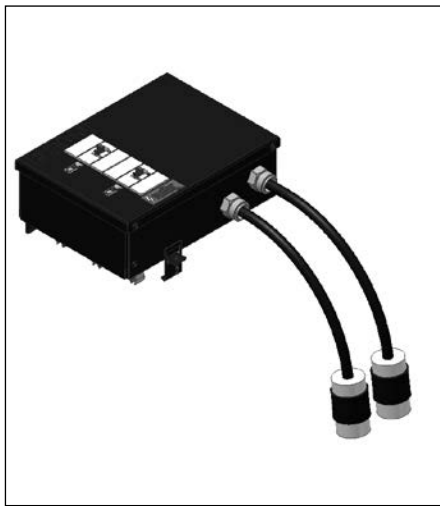
**Figure 24.2-36. Single Receptacle Unit (Cord Mounted)**

### GHC Double Receptacle Unit (480 V Max.)

The double receptacle unit shown in **Figure 24.2-37** is configured to order based upon each receptacle type and rating. These units are three-phase and can service single- or three-phase loads, 120 V, 240 V and 208/120 V, 400/230 V and 480/277 V. They use Type GHC Series C molded case breaker (10 kAIC), single-, two- or three-pole breakers. Each unit comes with up to two receptacles, with each breaker sized per the receptacle rating. Each receptacle can be fixed-mounted to the front of the enclosure or cable-mounted to a cord drop coming out of the bottom of the enclosure. See **Figure 24.2-38**. Cord drop lengths may be 1–15 ft in 1-ft increments. Consult NEC Sections 368, 400 and 645 for cord drop applications.



**Figure 24.2-37. Double Receptacle Unit (Enclosure Mounted)**



**Figure 24.2-38. Double Receptacle Unit (Cord Mounted)**

### CUBEFuse Single Receptacle Unit

The single receptacle unit shown in **Figure 24.2-39** is configured to order based upon the receptacle type and rating. These units are three-phase and can service single- or three-phase loads up to 600 V maximum (120 V, 240 V, 400 V, 480 V, 600 V, 208Y/120 V, 400/230 V, 480/277 V, 600/347 V). They use the compact circuit protector (CCP switch) and CUBEFuse® ①, which can be rated to match the busway that it is being installed on. It can be used in a single-, two- or three-pole fusible switch configuration. Each unit comes with one receptacle, with the switch sized per the receptacle rating. Each receptacle can be fixed-mounted to the front of the enclosure or cable-mounted to a cord drop coming out of the bottom of the enclosure. See **Figure 24.2-40**. Cord drop lengths may be 1–15 ft in 1-ft increments. Consult NEC Sections 368, 400 and 645 for cord drop applications.

① Information on CUBEFuse can be found on [Page 24.2-18](#).



**Figure 24.2-39. Single Receptacle Unit (Enclosure Mounted)**



**Figure 24.2-40. Single Receptacle Unit (Cord Mounted)**

## CUBEFuse Double Receptacle Unit

The double receptacle unit shown in **Figure 24.2-41** is configured to order based upon the receptacle type and rating. These units are three-phase and can service single- or three-phase loads up to 600 V maximum (120 V, 240 V, 400 V, 480 V, 600 V, 208Y/120 V, 400/230 V, 480/277 V, 600/347 V). They use the compact circuit protector (CCP switch) and CUBEFuse, which can be rated to match the busway that it is being installed on. It can be used in a single-, two- or three-pole fusible switch configuration. Each unit comes with one receptacle, with the switch sized per the receptacle rating. Each receptacle can be fixed-mounted to the front of the enclosure or cable-mounted to a cord drop coming out of the bottom of the enclosure. See **Figure 24.2-42**. Cord drop lengths may be 1–15 ft in 1-ft increments. Consult NEC Sections 368, 400 and 645 for cord drop applications.



**Figure 24.2-41. Double Receptacle Unit (Enclosure Mounted)**



**Figure 24.2-42. Double Receptacle Unit (Cord Mounted)**

## CUBEFuse

The innovative CUBEFuse is available in ampere ratings up to 60 A installed in Pow-R-Flex receptacle plugs. These fuses allow the bus plug to match the short-circuit rating of the bus system that they are installed on. These fuses have been available for over a decade and have the smallest footprint in the industry as well as being finger-safe. The CUBEFuse is available in a time-delay version (TCF), which has a 600 Vac rating and a fast-acting (non-time-delay) (FCF), which also has a 600 Vac rating. Both CUBEFuse versions are very current limiting, resulting in excellent equipment short-circuit protection and arc flash incident energy mitigation. The TCF fuse is available in an on-board indicating version and a non-indicating version. The FCF is available in a non-indicating version.



**Figure 24.2-43. CUBEFuse**

## Features and benefits

- The world's first finger-safe power fuse system
- Meets Class J time-delay electrical performance requirements
- Faster response to damaging faults to help reduce destructive thermal and magnetic forces
- No venting of arc or molten gases during opening
- Low let-through currents under fault conditions
- Easy selective coordination with any other Eaton Bussmann® Low-Peak® Class L, J, and RK1 fuse with simple 2:1 amp ratio between upstream and downstream fuses

**Table 24.2-18. CUBEFuse Catalog Numbers (Ampere Rating)**

| Catalog Number        |         |         |           |         |             |
|-----------------------|---------|---------|-----------|---------|-------------|
| <b>Indicating</b>     |         |         |           |         |             |
| TCF6                  | TCF10   | TCF15   | TCF17-1/2 | TCF20   | TCF25       |
| TCF30                 | TCF35   | TCF40   | TCF45     | TCF50   | TCF60       |
| TCF70                 | TCF80   | TCF90   | TCF100    | —       | —           |
| <b>Non-Indicating</b> |         |         |           |         |             |
| TCF1RN                | TCF3RN  | TCF6RN  | TCF10RN   | TCF15RN | TCF17-1/2RN |
| TCF20RN               | TCF25RN | TCF30RN | TCF35RN   | TCF40RN | TCF45RN     |
| TCF50RN               | TCF60RN | TCF70RN | TCF80RN   | TCF90RN | TCF100RN    |

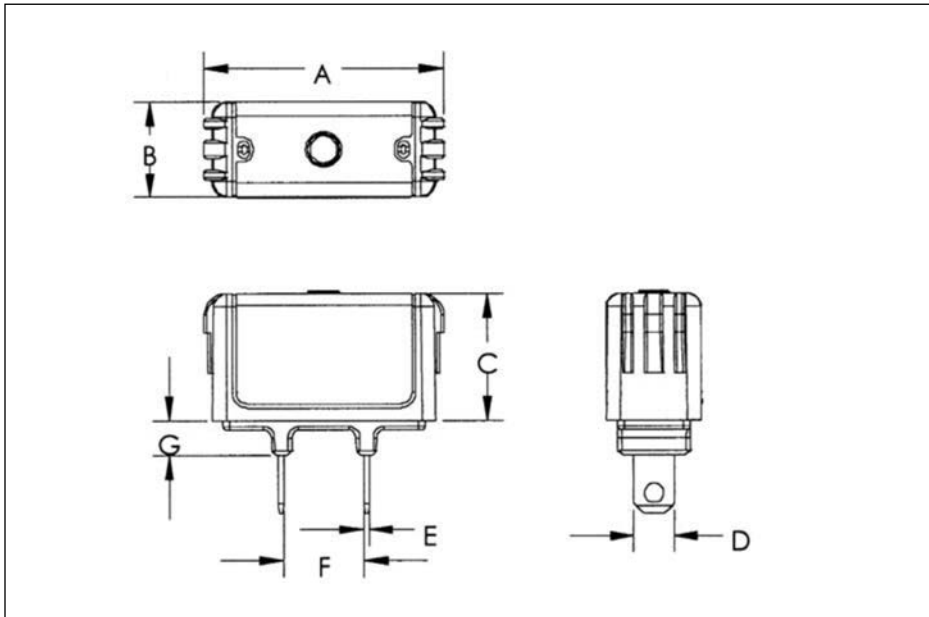


Figure 24.2-44. CUBEFuse Dimensions in Inches (mm)

Table 24.2-19. CUBEFuse Dimensions in Inches (mm)

| Fuse Amperes | A           | B           | C           | D           | E          | F           | G          |
|--------------|-------------|-------------|-------------|-------------|------------|-------------|------------|
| 1-15         | 1.88 (47.8) | 0.75 (19.1) | 1.00 (25.4) | 0.23 (5.8)  | 0.04 (1.0) | 0.63 (16.0) | 0.27 (6.9) |
| 17.5-20      | 1.88 (47.8) | 0.75 (19.1) | 1.00 (25.4) | 0.27 (6.9)  | 0.04 (1.0) | 0.63 (16.0) | 0.27 (6.9) |
| 25-30        | 1.88 (47.8) | 0.75 (19.1) | 1.00 (25.4) | 0.31 (8.0)  | 0.04 (1.0) | 0.63 (16.0) | 0.27 (6.9) |
| 35-40        | 2.13 (54.1) | 1.00 (25.4) | 1.13 (28.7) | 0.36 (9.1)  | 0.04 (1.0) | 0.63 (16.0) | 0.38 (9.7) |
| 45-50        | 2.13 (54.1) | 1.00 (25.4) | 1.13 (28.7) | 0.40 (10.2) | 0.04 (1.0) | 0.63 (16.0) | 0.38 (9.7) |
| 60           | 2.13 (54.1) | 1.00 (25.4) | 1.13 (28.7) | 0.44 (11.2) | 0.04 (1.0) | 0.63 (16.0) | 0.38 (9.7) |

## F-Frame Single Receptacle Unit

The single receptacle unit shown in **Figure 24.2-45** is configured to order based upon the receptacle type and rating. These units are three-phase and can service single- or three-phase loads up to 600 V maximum (120 V, 240 V, 400 V, 480 V, 600 V, 208Y/120 V, 400/230 V, 480/277 V, 600/347 V). Type F-Frame bolt-on molded case circuit breakers are used in single-pole, two-pole, or three-pole configurations. Each unit comes with one receptacle, with the breaker sized per the receptacle rating. Each receptacle can be fixed-mounted to the front of the enclosure or cable-mounted to a cord drop coming out of the bottom of the enclosure. See **Figure 24.2-46**. Cord drop lengths may be 1-15 ft in 1-ft increments. Consult NEC Sections 368, 400 and 645 for cord drop applications.



Figure 24.2-45. Single Receptacle Unit (Enclosure Mounted)

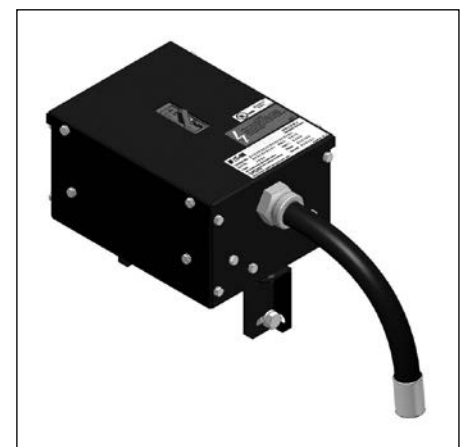


Figure 24.2-46. Single Receptacle Unit (Cord Mounted)

## F-Frame Double Receptacle Unit

The double receptacle unit shown in **Figure 24.2-47** is configured to order based upon the receptacle type and rating. These units are three-phase and can service single- or three-phase loads up to 600 V maximum (120 V, 240 V, 400 V, 480 V, 600 V, 208Y/120 V, 400/230 V, 480/277 V, 600/347 V). Type F-Frame bolt-on molded case circuit breakers are used in single-pole, two-pole, or three-pole configurations. Each unit comes with two receptacles, with the breakers sized per the receptacle rating. Each receptacle is cable mounted to a cord drop coming out of the bottom of the enclosure. See **Figure 24.2-48**. Cord drop lengths may be 1–15 ft in 1-ft increments. Consult NEC Sections 368, 400 and 645 for cord drop applications.



**Figure 24.2-47. Double Receptacle Unit (Enclosure Mounted)**

## F-Frame Quad Receptacle Unit

The quad receptacle unit shown in **Figure 24.2-49** is configured to order based upon the receptacle type and rating. These units are three-phase and can service single- or three-phase loads up to 600 V maximum (120 V, 240 V, 400 V, 480 V, 600 V, 208Y/120 V, 400/230 V, 480/277 V, 600/347 V). Type F-Frame bolt-on molded case circuit breakers are used in single-pole, two-pole, or three-pole configurations. Each unit comes with up to four receptacles, with the breakers sized per the receptacle rating. Each receptacle can be fixed mounted to the front of the enclosure or cable-mounted to a cord drop coming out of the bottom of the enclosure. See **Figure 24.2-49**. Cord drop lengths may be 1–15 ft in 1-ft increments. Consult NEC Sections 368, 400 and 645 for cord drop applications.

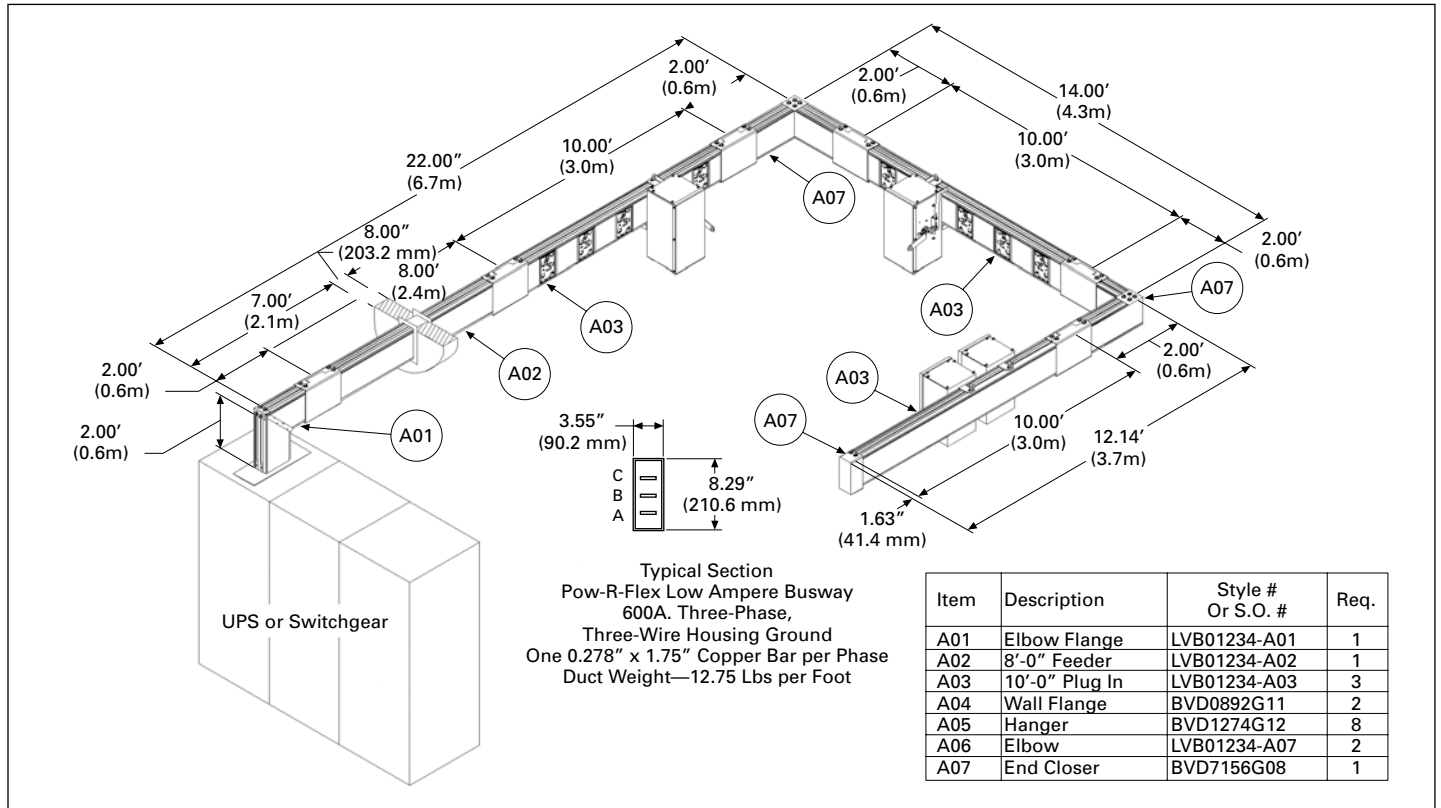


**Figure 24.2-49. Quad Receptacle Unit (Cord Mounted)**



**Figure 24.2-48. Double Receptacle Unit (Cord Mounted)**

## Installation Drawing Information



**Figure 24.2-50. Sample Installation Drawing**

After the layout approval process, installation drawings will be provided just prior to shipment of the busway from the factory. A sample is illustrated in **Figure 24.2-50**. The drawings will contain a complete layout of the entire busway installation and a bill of material that includes the following:

1. The item number of each section, which can be correlated with the layout drawing.
2. A description of each section.
3. The style number of each section, which can be correlated to the nameplate information on each section.
4. The quantity of each style number required.
5. The height, width and weight (per foot) of each ampere rating.
6. Location of "F" markings on the busway.
7. Fitting reference drawings.
8. Electrical equipment/switchgear locations and orientation.
9. Wall and floor locations.
10. The length of each section.

The installer should review the installation drawings prior to and during the installation process. Please note that plug-in units are generally not shown on the installation drawings. The installer will also receive installation instruction leaflets, and operation and maintenance manuals with the drawings.

## Electrical Data

**Table 24.2-20. Short-Circuit Ratings—Three-Cycle rms Symmetrical**

| Ampere Rating   | Plug-In Short-Circuit Rating | Feeder Short-Circuit Rating |
|-----------------|------------------------------|-----------------------------|
| <b>Aluminum</b> |                              |                             |
| 150             | 22,000                       | 22,000                      |
| 225             | 35,000                       | 35,000                      |
| 300             | 35,000                       | 35,000                      |
| 400             | 42,000                       | 42,000                      |
| <b>Copper</b>   |                              |                             |
| 225             | 22,000                       | 22,000                      |
| 400             | 35,000                       | 35,000                      |
| 500             | 42,000                       | 42,000                      |
| 600             | 42,000                       | 42,000                      |

**Table 24.2-21. Resistance, Reactance and Impedance Milliohms per 100 Feet (30.5 m) Line-to-Neutral, Plug-in and Feeder Busway**

| Ampere Rating   | Resistance R | Reactance X | Impedance Z |
|-----------------|--------------|-------------|-------------|
| <b>Aluminum</b> |              |             |             |
| 150             | 9.93         | 4.56        | 10.90       |
| 225             | 3.44         | 2.92        | 4.57        |
| 300             | 3.44         | 2.92        | 4.57        |
| 400             | 2.41         | 2.50        | 3.46        |
| <b>Copper</b>   |              |             |             |
| 225             | 5.30         | 4.24        | 6.87        |
| 400             | 1.85         | 2.96        | 3.53        |
| 500             | 1.32         | 2.51        | 2.75        |
| 600             | 1.32         | 2.51        | 2.75        |

**Table 24.2-22. Ground Resistance Values Milliohms per 100 Feet (30.5 m)**

| Ampere Rating   | Integral R | Internal R |
|-----------------|------------|------------|
| <b>Aluminum</b> |            |            |
| 150             | 0.55       | 2.86       |
| 225             | 0.55       | 2.86       |
| 300             | 0.55       | 2.86       |
| 400             | 0.55       | 2.86       |
| <b>Copper</b>   |            |            |
| 225             | 0.55       | 1.44       |
| 400             | 0.55       | 1.44       |
| 500             | 0.55       | 1.44       |
| 600             | 0.55       | 1.44       |

**Table 24.2-23. Oversized Neutral Ratings**

| Ampere Rating   | Neutral Size D x W Inches (mm) | Neutral Rating |
|-----------------|--------------------------------|----------------|
| <b>Aluminum</b> |                                |                |
| 150             | 0.28 x 1.75 (7.1 x 44.5)       | 250%           |
| 225             | 0.28 x 1.75 (7.1 x 44.5)       | 150%           |
| 300             | 0.28 x 1.75 (7.1 x 44.5)       | 150%           |
| 400             | 0.28 x 1.75 (7.1 x 44.5)       | 150%           |
| <b>Copper</b>   |                                |                |
| 225             | 0.28 x 1.75 (7.1 x 44.5)       | 250%           |
| 400             | 0.28 x 1.75 (7.1 x 44.5)       | 150%           |
| 500             | 0.28 x 1.75 (7.1 x 44.5)       | 100%           |
| 600             | 0.28 x 1.75 (7.1 x 44.5)       | 100%           |

**Table 24.2-24. Voltage Drop Volts per 100 Feet (30.5 m) Line-to-Neutral, 60 Hz at Rated Current (Varying Power Factors)**

| Ampere Rating   | 100% | 90%  | 80%  | 70%  | 60%  | 50%  |
|-----------------|------|------|------|------|------|------|
| <b>Aluminum</b> |      |      |      |      |      |      |
| 150             | 2.58 | 2.84 | 2.77 | 2.65 | 2.50 | 2.32 |
| 225             | 1.34 | 1.70 | 1.76 | 1.75 | 1.71 | 1.66 |
| 300             | 1.79 | 2.27 | 2.34 | 2.33 | 2.29 | 2.21 |
| 400             | 1.67 | 2.26 | 2.37 | 2.41 | 2.39 | 2.33 |
| <b>Copper</b>   |      |      |      |      |      |      |
| 225             | 2.07 | 2.58 | 2.64 | 2.63 | 2.56 | 2.46 |
| 400             | 1.28 | 2.05 | 2.26 | 2.36 | 2.41 | 2.42 |
| 500             | 1.14 | 1.98 | 2.22 | 2.35 | 2.42 | 2.45 |
| 600             | 1.37 | 2.37 | 2.66 | 2.82 | 2.91 | 2.94 |

**Note:** Values shown in **Table 24.2-24** are based upon concentrated loads. For plug-in distributed loads, divide the values by 2. See IEEE® 141-13-8.3. For line-to-neutral voltage drop, multiply the values from **Table 24.2-24** by 0.577. For other than rated current, multiply the values from **Table 24.2-24** by actual current/rated current. For total voltage drop, multiply voltage drop by actual length/100 ft (30.5 m).

## Physical Data

Table 24.2-25. Physical Dimensions—Width x Height in Inches (mm)

| Ampere Rating   | Phase Conductor             | Ground Conductor            | Housing Enclosure             |
|-----------------|-----------------------------|-----------------------------|-------------------------------|
| <b>Aluminum</b> |                             |                             |                               |
| 150             | 0.28 x 0.50<br>(7.1 x 12.7) | 0.20 x 1.75<br>(5.1 x 44.5) | 3.55 x 8.29<br>(90.2 x 210.6) |
| 225             | 0.28 x 1.25<br>(7.1 x 31.8) | 0.20 x 1.75<br>(5.1 x 44.5) | 3.55 x 8.29<br>(90.2 x 210.6) |
| 300             | 0.28 x 1.25<br>(7.1 x 31.8) | 0.20 x 1.75<br>(5.1 x 44.5) | 3.55 x 8.29<br>(90.2 x 210.6) |
| 400             | 0.28 x 1.75<br>(7.1 x 44.5) | 0.20 x 1.75<br>(5.1 x 44.5) | 3.55 x 8.29<br>(90.2 x 210.6) |
| <b>Copper</b>   |                             |                             |                               |
| 225             | 0.28 x 0.50<br>(7.1 x 12.7) | 0.20 x 1.75<br>(5.1 x 44.5) | 3.55 x 8.29<br>(90.2 x 210.6) |
| 400             | 0.28 x 1.25<br>(7.1 x 31.8) | 0.20 x 1.75<br>(5.1 x 44.5) | 3.55 x 8.29<br>(90.2 x 210.6) |
| 500             | 0.28 x 1.75<br>(7.1 x 44.5) | 0.20 x 1.75<br>(5.1 x 44.5) | 3.55 x 8.29<br>(90.2 x 210.6) |
| 600             | 0.28 x 1.75<br>(7.1 x 44.5) | 0.20 x 1.75<br>(5.1 x 44.5) | 3.55 x 8.29<br>(90.2 x 210.6) |

Table 24.2-26. Weight (lb ft)/Current Density (A/in<sup>2</sup>)

| Ampere Rating   | Current Density | Weight Three-Wire | Weight Four-Wire | Add for Ground | Add for Oversized Neutral |
|-----------------|-----------------|-------------------|------------------|----------------|---------------------------|
| <b>Aluminum</b> |                 |                   |                  |                |                           |
| 150             | 1067            | 6.45              | 6.60             | 0.41           | 0.40                      |
| 225             | 640             | 7.10              | 7.50             | 0.41           | 0.15                      |
| 300             | 610             | 7.55              | 8.10             | 0.41           | 0.15                      |
| 400             | 813             | 7.55              | 8.10             | 0.41           | —                         |
| <b>Copper</b>   |                 |                   |                  |                |                           |
| 225             | 1618            | 7.50              | 8.00             | 1.30           | 1.30                      |
| 400             | 1151            | 9.80              | 11.05            | 1.30           | 0.82                      |
| 500             | 1027            | 11.45             | 13.25            | 1.30           | —                         |
| 600             | 1233            | 11.45             | 13.25            | 1.30           | —                         |

Table 24.2-27. Weight (kg/m)/Current Density (A/cm<sup>2</sup>)

| Ampere Rating   | Current Density | Weight Three-Wire | Weight Four-Wire | Add for Ground | Add for Oversized Neutral |
|-----------------|-----------------|-------------------|------------------|----------------|---------------------------|
| <b>Aluminum</b> |                 |                   |                  |                |                           |
| 150             | 165             | 9.60              | 9.82             | 0.61           | 0.60                      |
| 225             | 99              | 10.57             | 11.16            | 0.61           | 0.22                      |
| 300             | 132             | 11.24             | 12.05            | 0.61           | 0.22                      |
| 400             | 126             | 11.24             | 12.05            | 0.61           | —                         |
| <b>Copper</b>   |                 |                   |                  |                |                           |
| 225             | 251             | 11.16             | 11.91            | 1.93           | 1.93                      |
| 400             | 178             | 14.58             | 16.44            | 1.93           | 0.82                      |
| 500             | 159             | 17.04             | 19.72            | 1.93           | —                         |
| 600             | 191             | 17.04             | 19.72            | 1.93           | —                         |

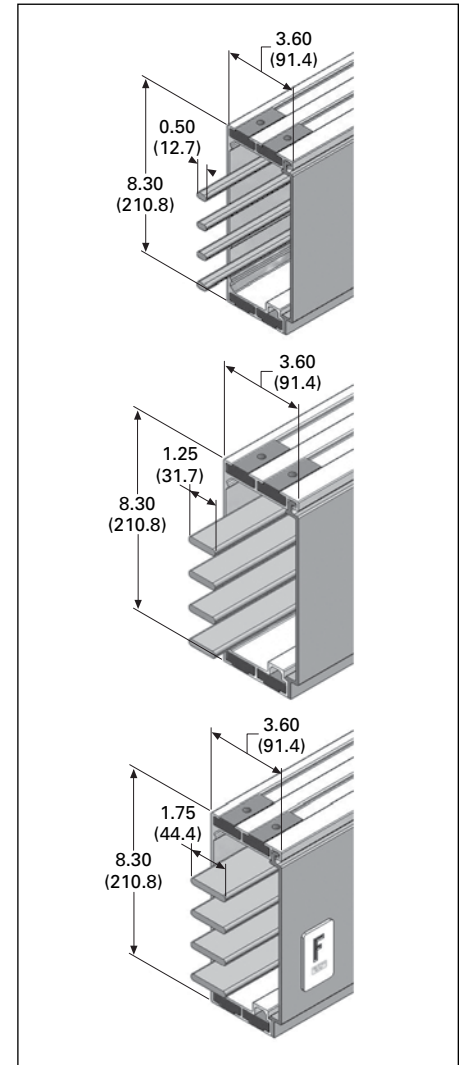


Figure 24.2-51. Conductor Dimensions

Eaton  
1000 Eaton Boulevard  
Cleveland, OH 44122  
United States  
Eaton.com

© 2020 Eaton  
All Rights Reserved  
Printed in USA  
Publication No. DG017003EN / Z23483  
February 2020