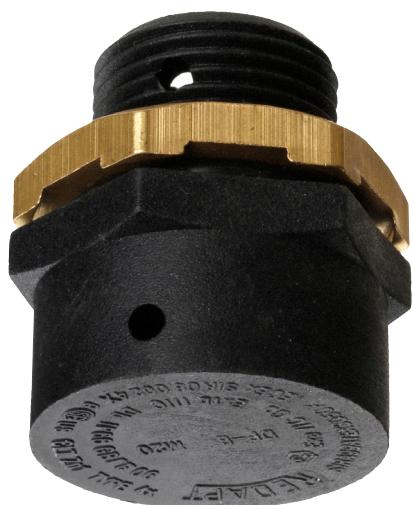


Increased safety (Exe) breather drains (nylon) - DP-E4 Series



Type DP-E4

Redapt DP-E4 series of Exe breather drains provide a method of preventing moisture build-up within a hazardous area approved enclosure whilst ensuring the integrity and Ex approval of the installation is maintained.

They allow for air within an enclosure to breathe with the surrounding atmosphere helping to prevent condensation and any potential damage to sensitive electric/electronic equipment housed within.

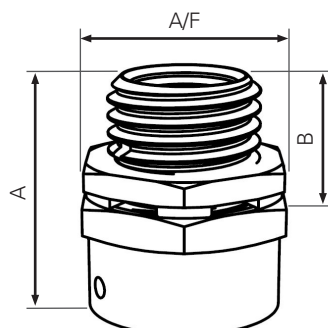
All whilst maintaining an IP66 rating of the enclosure it is installed in. Designed for hazardous area applications, Redapt's DP-E4 series of breather drains are certified to protection concept Exe "Increased Safety" for use in Zone 1 and Zone 2 applications. Also certified Ex tb "dust tight" for use in Zone 21 & 22 applications.

Materials

- Glass filled nylon

Threadforms

- Metric
- NPT



Dimensions

Size	A/F	Overall length (A)	Thread length (B)
M20	28.60	34.00 (min.)	17.00 (min.)
M25	34.90	34.00 (min.)	17.00 (min.)
½" NPT	34.90	32.00 (min.)	15.00 (min.)

Technical specifications

Code of protection categories

ATEX: II 2 GD, Ex eb II Mb Gb, Ex tb IIIC Db

IECEx: Ex eb IIC Mb/Gb, Ex tb IIIC Db

CSA: Ex eb IIC Gb IP66 Cl I Zn 1 AEx eb IIC Gb Enclosure Type 4X (NEMA 4X)

Compliance standards

ATEX: EN 60079-0, EN 60079-7, EN 60079-31

IECEx: IEC 60079-0, IEC 60079-7, IEC 60079-31

CSA: C22.2 No. 0-10, CAN/CSA C22.2 NO. 18.3-12, CAN/CSA C22.2 No. 60079-0, CAN/CSA C22.2 No. 60079-7, CAN/CSA C22.2 NO. 94-M91 ANSI/UL 514B, ANSI/UL 60079-0 ANSI/UL 60079-7, ANSI/UL 50

Certificate details

ATEX: ITS16ATEX101338X

IECEx: IECEx ITS 16.0014X

EAC: RU C-GB.M1062.B.06227

CSA: CSA00CA1033919X

INMETRO: NCC 18.0165 X

Temperature

Dependent on filter and O-ring seal

Nylon body: -30°C to +90°C, unless limited by filter material

Filter options:

HDPE filter: -50°C to 85°C

Interface O-ring material options:

Nitrile: -30°C to +80°C (supplied as standard)

EPDM: -50°C to +100°C

Neoprene: -40°C to +80°C

Viton: -20°C to +180°C

Silicone: -60°C to +180°C

Fluorosilicone: -60°C to +130°C

Ingress protection (IP):

IP66 when fitted in accordance to manufacturer's instructions.

Part number:

Please refer to part numbering system below

[Download certificates and documents here](#)

Increased safety (Exe) breather drains (nylon) - Product coding

Product	Digits 1 & 2
Increased Safety BREATHER DRAIN	DP

Certification	Digit 3
E	Exe I and IIC

Material	Digit 4
4	Glass filled nylon

Plating	Digit 5
0	Unplated

Digits 6 & 7

Thread type

04 M20
05 M25
29 1/2" NPT

Digits 8 & 9

Thread length	Hole position	Castellated I/nut
S3 - HDPE filter 15mm	3 Holes	With
S4 - HDPE filter 15mm	3 Holes	Without

Alternative thread-forms and material on application.

Example

Digits 1 & 2	Digit 3	Digit 4	Digit 5	Digits 6 & 7	Digits 8 & 9					
DP	-	E	-	4	-	0	-	04	-	S3
Breather drain		Exe I and IIC		Glass filled nylon		Unplated		M20		15mm

Thread dimension chart

ISO metric

BS 3643 1.5mm pitch

Size	Major dia.	TPI
M20	19.97	16.93
M25	24.97	16.93

NPT

ANSI/ASME B1.20.1

Size	Pipe dia.	TPI
1/2"	21.34	14.00

For other equivalents threadforms, please contact us.

Part numbering system

Codes

Page No.	Product	Digits 1 & 2
Adaptors and reducers		
14-17	AD	Adaptor
14-17	RD	Reducer
18	TA	Swivel - in-line male to female
18	TC	Swivel - in-line female to female
18	TD	Swivel - in-line male to male
18	TP	Swivel - 90° male to female
18	TQ	Swivel - 90° female to female
18	TR	Swivel - 90° male to male
19	AY	'Y' adaptor
20	AT	'T' adaptor
21	AR	90° adaptor
22	AM	Male to male adaptor
23	AF	Female to female adaptor
24-25	DB	Insulated adaptor
Stopping Plugs		
26-27	PD	Dome head plug
28	PA	Type A plug
28	PB	Type B plug
Breather Drains		
31	DP	Breather drain (Exe)
32	BD	Breather drain (Exde)
Other products		
34	UN	Union - male to female
34	UF	Union - female to female
35	AE	Earth lead adaptor

Certification	Digit 3
U	Exd I and IIC & Exe I and IIC
D	Exd I and IIC
E	Exe I and IIC
F	Industrial (marked product)

Material	Digit 4
1	Brass
2	Mild steel
3	Stainless steel
4	Glass filled nylon
5	Aluminium
6	Nylon 6
7	Red fibre

Plating	Digit 5
0	Unplated
1	Electroless nickel
2	Zinc
6	Chromated

Example

Digits 1 & 2	Digit 3	Digit 4	Digit 5	Digits 6 & 7	Digits 8 & 9
AD	U	1	1	29	04
Adaptor	Exd/e certified	Brass	Nickel-plated	1/2" NPT (male)	M20 (female)

Always quote male thread first.