

NEWCAP MS – for non-armoured, multi-wire & flat cables

Technical specifications

IP66

IP68



Suitable for the following cable types



Non-armoured cable

Cable with insulated conductors, with no layer of mechanical (metallic) protection.

Certifications

EN 62444

Continuous operating temperature

-20 °C to +80 °C

Material

Nickel-plated brass

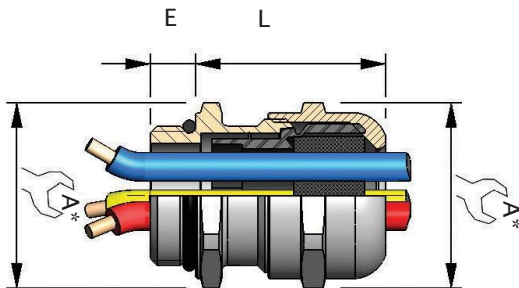


Perfectly adapted to industrial environments

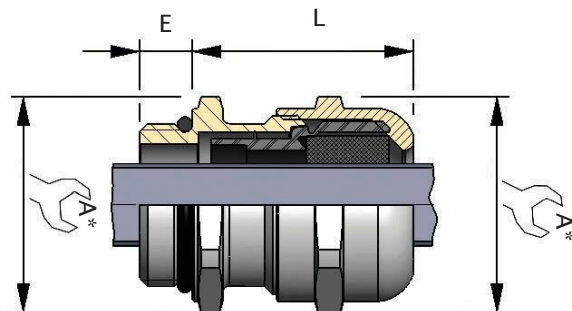
- The NEWCAP-MS ensures the tightness of flat outer sheath cable or multi-wire outer sheath cable
- IP66/IP68 tested 30 min/day for 7 days with a surface condition of Ra 1.6 µm max.

Dimensions

NEWCAP - MS multi-wired



NEWCAP - MS flat



* For 'across corners' dimensions, multiply 'across flats' dimensions by 1.1

Our range of metallic industrial cable glands NEWCAP allows the connection of non-armoured cables.

This NEWCAP MS version is the cable gland suitable for multicable or flat cable applications.

NEWCAP - MS multi-wire

Size	Thread Size (ISO)	Cable Diameter Min - Max	Number of cables	A	L	E	Catalog Number Cable Gland
5	M16	1.5 - 3.0	2	20.0	24.0	6.5	CAP187334
5	M16	2.5 - 4.0	2	20.0	24.0	6.5	CAP187424
6	M20	3.0 - 5.0	2	20.0	27.0	6.5	CAP187524
6	M20	2.5 - 5.0	3	24.0	27.0	6.5	CAP187534
6	M20	4.0 - 6.0	2	24.0	28.0	6.5	CAP187624
7	M25	5.0 - 7.0	3	30.0	28.0	7.0	CAP187734
7	M25	6.0 - 8.0	2	30.0	28.0	7.0	CAP187824
8	M32	4.0 - 6.0	4	38.0	30.0	8.0	CAP187814
8	M32	4.5 - 7.0	4	38.0	30.0	8.0	CAP187744
9	M40	4.0 - 6.0	4	47.0	30.0	8.0	CAP187764

All dimensions in mm.

NEWCAP - MS flat

Size	Thread Size (ISO)	Cable Width Min - Max	Cable Thickness Min - Max	A	L	E	Catalog Number Cable Gland
7	M25	11.0 - 13.0	4.5 - 6.0	30.0	28.0	7.0	CAP187134
8	M32	11.0 - 18.0	5.0 - 7.0	38.0	30.0	8.0	CAP187184
9	M40	21.0 - 24.0	5.0 - 8.5	47.0	33.0	8.0	CAP187224
9	M40	24.0 - 27.0	8.0 - 11.5	47.0	33.0	8.0	CAP187274
10	M50	30.0 - 32.5	5.0 - 9.0	57.0	37.0	9.0	CAP187304
10	M50	29.0 - 31.0	10.0 - 14.0	57.0	37.0	9.0	CAP187314
10	M50	32.5 - 35.5	9.0 - 12.0	57.0	37.0	9.0	CAP187354
10	M50	34.0 - 37.0	4.5 - 6.5	57.0	37.0	9.0	CAP187374
10	M50	38.0 - 40.0	10.0 - 14.0	57.0	37.0	9.0	CAP187414
11	M63	38.0 - 42.0	4.5 - 6.5	75.0	48.0	10.0	CAP187444

All dimensions in mm.