

NEWCAP MS – for non-armoured cables

Technical specifications

IP66

IP68



Option
316L



Suitable for the following cable types



Non-armoured cable

Cable with insulated conductors, with no layer of mechanical (metallic) protection.



SWB Steel wire braided cable

Steel wire braided cable to give mechanical and signal interference protection to conductors.

Certifications

EN 62444

Continuous operating temperature

-20 °C to +80 °C

Material

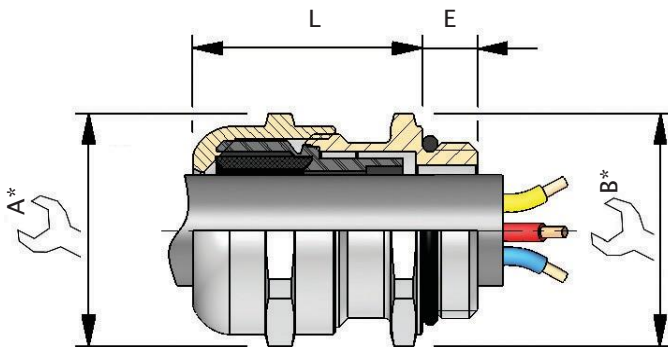
Nickel-plated brass and stainless steel 316L

(with stainless steel 316L versions, a lubricant should be used, we recommend HTL lubricant)

Perfectly adapted to industrial environments

- The NEWCAP-MS ensures the tightness on the cable outer sheath and the electrical continuity of the braided armour (EMC application)
- Provided with an integrated o-ring
- IP66/IP68 tested 30 min/day for 7 days with a surface condition of Ra 1.6 µm max.
- For ISO versions in nickel-plated brass with long thread (15 mm) replace the last digit in the order code with "2"
- Also available as an 'Ex' version suitable for hazardous areas
- Provided with a foam dust cover

Dimensions



* For 'across corners' dimensions, multiply 'across flats' dimensions by 1.1

Our range of metallic industrial cable glands NEWCAP allows the connection of non-armoured cables or steel wire braided armoured cables, which makes it perfectly suitable for EMC purposes.

It is provided with ISO or Pg threads.

The cable gland accommodates a PVC sealing ring which achieves both an IP66 tightness on the outer sheath of the cable as well as a perfect tensile strength.

The NEWCAP MS cable gland ensures the electrical continuity of braided cables by reversing the braided armour on the clamping ring.

Ordering codes

NEWCAP MS with ISO thread

Size	Thread Size	Cable		A	B	L	E *	Catalog number	
		Diameter Min - Max	Braid Thickness					Nickel Plated Brass	Stainless Steel 316L *
4	M12	3.0 - 6.5	0.70	15.0	15.0	18.0	6.5	CAP187124	CAP187129
4	M16	3.0 - 6.5	0.70	15.0	18.0	18.0	6.5	CAP187544	CAP187549
5	M16	4.5 - 10.0	0.70	20.0	20.0	24.0	6.5	CAP187164	CAP187169
5	M20	4.5 - 10.0	0.70	20.0	22.0	24.0	6.5	CAP187554	CAP187559
6	M20	6.0 - 13.0	0.80	24.0	24.0	27.0	6.5	CAP187204	CAP187209
6	M25	6.0 - 13.0	0.80	24.0	27.0	27.0	7.0	CAP187564	CAP187569
7	M25	10.0 - 18.0	0.85	30.0	30.0	28.0	7.0	CAP187254	CAP187259
7	M32	10.0 - 18.0	0.85	30.0	34.0	28.0	8.0	CAP187574	CAP187579
8	M32	16.0 - 24.5	0.95	38.0	38.0	30.0	8.0	CAP187324	CAP187329
8	M40	16.0 - 24.5	0.95	38.0	43.0	30.0	8.0	CAP187584	CAP187589
9	M40	22.0 - 32.0	1.00	47.0	47.0	33.0	8.0	CAP187404	CAP187409
9	M50	22.0 - 32.0	1.00	47.0	54.0	33.0	9.0	CAP187594	CAP187599
10	M50	29.0 - 40.5	1.15	57.0	57.0	37.0	9.0	CAP187504	CAP187509
10	M63	29.0 - 40.5	1.15	57.0	68.0	37.0	10.0	CAP187604	CAP187609
11	M63	37.0 - 53.0	1.75	75.0	75.0	48.0	10.0	CAP187634	CAP187639

*All stainless steel versions have a 15mm thread length - All dimensions in mm.

NEWCAP MS with Pg thread

Size	Thread Size	Cable		A	B	L	E *	Catalog number	
		Diameter Min - Max	Braid Thickness					Nickel Plated Brass	Stainless Steel 316L *
4	Pg7	3.0 - 6.5	0.70	15.0	15.0	18.0	6.5	CAP186074	CAP186079
5	Pg9	4.5 - 10.0	0.70	20.0	20.0	24.0	6.5	CAP186094	CAP186099
6	Pg11	6.0 - 13.0	0.80	24.0	24.0	27.0	6.5	CAP186114	CAP186119
6	Pg13	6.0 - 13.0	0.80	24.0	24.0	27.0	6.5	CAP186134	CAP186139
7	Pg16	10.0 - 18.0	0.85	30.0	30.0	28.0	7.0	CAP186174	CAP186179
7	Pg21	10.0 - 18.0	0.85	30.0	34.0	28.0	8.0	CAP186194	CAP186199
8	Pg21	16.0 - 24.5	0.95	38.0	38.0	30.0	8.0	CAP186184	CAP186189
8	Pg29	16.0 - 24.5	0.95	38.0	38.0	30.0	8.0	CAP186284	CAP186289
9	Pg29	22.0 - 32.0	1.00	47.0	47.0	33.0	8.0	CAP186294	CAP186299
10	Pg36	29.0 - 40.5	1.15	57.0	57.0	37.0	9.0	CAP186364	CAP186369
11	Pg48 DIN	37.0 - 53.0	1.75	75.0	75.0	48.0	10.0	CAP186484	CAP186489
11	N°48 NFC	37.0 - 53.0	1.75	75.0	75.0	48.0	10.0	CAP186494	CAP186499

*All stainless steel versions have a 15mm thread length - All dimensions in mm.

Perbunan reducing ring for NEWCAP cable glands

Gland Size	Cable Diameter		Order Unit	Catalog Number
	Min	Max		
5 / 4	3.0	6.5	100	CAP180504
6 / 5	4.5	10.0	100	CAP180605
7 / 6	6.0	13.0	100	CAP180706
8 / 7	10.0	18.0	100	CAP180807
9 / 8	16.0	24.5	100	CAP180908
10 / 9	22.0	32.0	100	CAP181009
11 / 10	29.0	40.5	100	CAP181110
12 / 11	37.0	53.0	100	CAP181211



All dimensions in mm.