

IGE1X – for Steel Wire Braided (SWB) & Steel Tape (STA) Armoured cables

Technical specifications

IP66

EAC

Suitable for the following cable types



STA

Steel tape armoured cable for mechanical protection of conductors



SWB

Steel wire braided cable to give mechanical and signal interference protection to conductors

Certifications

- B.S. 6121 Part 1: 1989
- EAC Certificate no: RU C-GB.A/132.B.04663

Temperature range

-40 °C to +80 °C

Material

Brass, nickel-plated brass

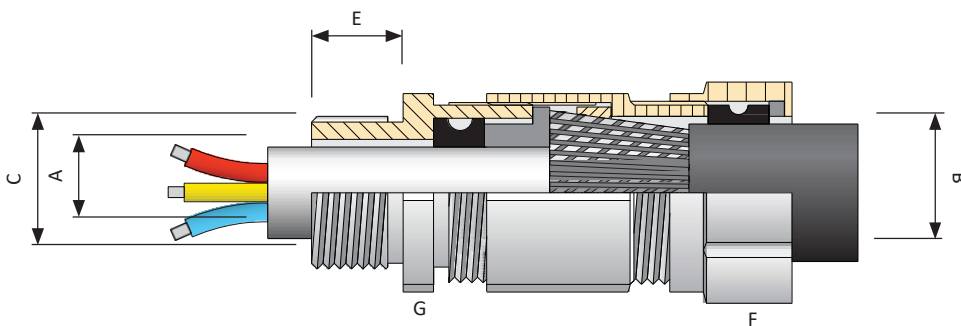


Perfectly adapted to industrial environments

- Suitable for indoor and outdoor applications
- Provides mechanical retention, a weatherproof seal on the inner and outer sheath of the cable and earth continuity
- The gland kit comprises of: cable gland, shroud, earth tag, locknut & nylon washer



Dimensions



Designed to the B.S. 6121 standard, the IGE1X is a robust metallic range of cable glands for industrial applications which provides an outer and inner IP seal and armour clamping, grounding and earthing.

This version of Steel Tape Armoured (STA) & Steel Wire Braided (SWB) cable glands is available in brass or nickel plated brass, fully kitted with relevant accessories such as locknuts, nylon seals, earthing washers and shrouds.

Ordering codes

Size	Thread Size	Cable Diameter		Thread Length (E)	Width Across Flats (F)	Width Across Flats (G)	Armour Thickness	Catalog number	
		Min - Max (A)	Min - Max (B)					ISO	
20S	M20	8.0 - 11.4	12.0 - 15.9	10.0	22.0	22.0	0.4 / 0.8	IGE1XM201BRNK2	IGE1XM201NPNK2
20L	M20	11.0 - 13.9	15.0 - 19.5	10.0	26.0	26.0	0.6 / 1.0	IGE1XM202BRNK2	IGE1XM202NPNK2
25S	M25	12.5 - 17.5	18.0 - 23.0	10.0	31.5	31.5	0.6 / 1.1	IGE1XM251BRNK2	IGE1XM251NPNK2
25L	M25	14.0 - 19.8	22.0 - 25.8	10.0	34.0	34.0	0.6 / 1.1	IGE1XM252BRNK2	IGE1XM252NPNK2
32S	M32	18.0 - 22.8	25.0 - 29.5	10.0	38.5	38.5	0.6 / 1.2	IGE1XM321BRNK2	IGE1XM321NPNK2
32L	M32	20.0 - 25.8	26.5 - 32.0	10.0	41.0	41.0	0.6 / 1.2	IGE1XM322BRNK2	IGE1XM322NPNK2
40S	M40	23.5 - 29.0	32.0 - 36.5	15.0	45.7	45.7	0.6 / 1.2	IGE1XM401BRNK2	IGE1XM401NPNK2
40L	M40	26.5 - 32.5	33.5 - 40.3	15.0	49.7	49.7	0.6 / 1.2	IGE1XM402BRNK2	IGE1XM402NPNK2
50S	M50	32.5 - 39.0	40.0 - 46.2	15.0	57.5	56.5	0.8 / 1.5	IGE1XM501BRNK2	IGE1XM501NPNK2
50L	M50	37.0 - 43.5	46.0 - 51.7	15.0	62.0	61.0	0.8 / 1.5	IGE1XM502BRNK2	IGE1XM502NPNK2
63S	M63	43.5 - 49.5	51.5 - 59.0	15.0	70.0	70.0	0.8 / 1.5	IGE1XM631BRNK2	IGE1XM631NPNK2
63L	M63	49.5 - 55.5	59.0 - 65.5	15.0	78.5	77.5	0.8 / 1.5	IGE1XM632BRNK2	IGE1XM632NPNK2
75S	M75	55.0 - 61.5	65.5 - 71.5	15.0	85.0	84.0	0.8 / 1.5	IGE1XM751BRNK2	IGE1XM751NPNK2
75L	M75	61.5 - 67.5	71.5 - 77.5	15.0	92.0	92.0	0.8 / 1.5	IGE1XM752BRNK2	IGE1XM752NPNK2

Size	Thread Size	Cable Diameter		Thread Length (E)	Width Across Flats (F)	Width Across Flats (G)	Armour Thickness	Catalog number	
		Min - Max (A)	Min - Max (B)					NPT	
20S	1/2"	8.0 - 11.4	12.0 - 15.9	10.0	22.0	22.0	0.4 / 0.8	IGE1XN0501BRNK2	IGE1XN0501NPNK2
20L	1/2"	11.0 - 13.9	15.0 - 19.5	10.0	26.0	26.0	0.6 / 1.0	IGE1XN0502BRNK2	IGE1XN0502NPNK2
25S	3/4"	12.5 - 17.5	18.0 - 23.0	10.0	31.5	31.5	0.6 / 1.1	IGE1XN0751BRNK2	IGE1XN0751NPNK2
25L	3/4"	14.0 - 19.8	22.0 - 25.8	10.0	34.0	34.0	0.6 / 1.1	IGE1XN0752BRNK2	IGE1XN0752NPNK2
32S	1"	18.0 - 22.8	25.0 - 29.5	10.0	38.5	38.5	0.6 / 1.2	IGE1XN1001BRNK2	IGE1XN1001NPNK2
32L	1"	20.0 - 25.8	26.5 - 32.0	10.0	41.0	41.0	0.6 / 1.2	IGE1XN1002BRNK2	IGE1XN1002NPNK2
40S	1" 1/4	23.5 - 29.0	32.0 - 36.5	15.0	45.7	45.7	0.6 / 1.2	IGE1XN1251BRNK2	IGE1XN1251NPNK2
40L	1" 1/4	26.5 - 32.5	33.5 - 40.3	15.0	49.7	49.7	0.6 / 1.2	IGE1XN1252BRNK2	IGE1XN1252NPNK2
50S	1" 1/2	32.5 - 39.0	40.0 - 46.2	15.0	57.5	56.5	0.8 / 1.5	IGE1XN1501BRNK2	IGE1XN1501NPNK2
50L	1" 1/2	37.0 - 43.5	46.0 - 51.7	15.0	62.0	61.0	0.8 / 1.5	IGE1XN1502BRNK2	IGE1XN1502NPNK2
63S	2"	43.5 - 49.5	51.5 - 59.0	15.0	70.0	70.0	0.8 / 1.5	IGE1XN2001BRNK2	IGE1XN2001NPNK2
63L	2"	49.5 - 55.5	59.0 - 65.5	15.0	78.5	77.5	0.8 / 1.5	IGE1XN2002BRNK2	IGE1XN2002NPNK2
75S	2" 1/2	55.0 - 61.5	65.5 - 71.5	15.0	85.0	84.0	0.8 / 1.5	IGE1XN2501BRNK2	IGE1XN2501NPNK2
75L	2" 1/2	61.5 - 67.5	71.5 - 77.5	15.0	92.0	92.0	0.8 / 1.5	IGE1XN2502BRNK2	IGE1XN2502NPNK2

* All NPT sizes will be supplied as an equivalent metric gland and appropriate metric to NPT adaptor.

All dimensions in mm.