

# IGA2 – for non-armoured cables

## Technical specifications



### Suitable for the following cable types



#### Non-armoured cable

Cable with insulated conductors, with no layer of mechanical (metallic) protection.

### Certifications

- B.S. 6121 Part 1: 1989
- EAC Certificate no: RU C-GB.A/132.B.04663

### Temperature range

-40 °C to +80 °C

### Material

Brass, nickel-plated brass

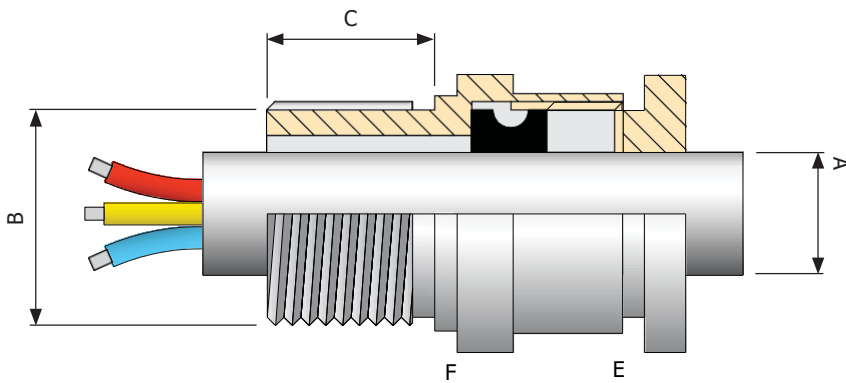


### Perfectly adapted to industrial environments

- Suitable for indoor and outdoor applications
- Provides mechanical retention and a weatherproof seal on the outer sheath of the cable
- The gland kit comprises of: cable gland, shroud, earth tag, locknut & nylon washer



## Dimensions



Designed to the B.S. 6121 standard and featuring a single seal for non-armoured cables, the IGA2 is a robust metallic gland for industrial applications.

Available in brass or nickel plated brass, it is fully kitted with relevant accessories such as locknuts, nylon seals, earthing washers and shrouds.

## Ordering codes

### IGA2 with ISO Thread

Gland Size	Thread Size	Diameter Min - Max (A)	Diameter (B)	Length (C)	Across Flats (E)	Across Flats (F)	Catalog number	
20S	M20	8.0 - 11.4	20.0	15.0	22.0	22.0	IGA2M201BRNK2	IGA2M201NPNK2
20L	M20	11.0 - 13.8	20.0	15.0	24.0	24.0	IGA2M202BRNK2	IGA2M202NPNK2
25S	M25	12.5 - 17.5	25.0	15.0	27.0	27.0	IGA2M251BRNK2	IGA2M251NPNK2
25L	M25	17.0 - 19.8	25.0	15.0	29.3	29.0	IGA2M252BRNK2	IGA2M252NPNK2
32S	M32	18.0 - 22.8	32.0	15.0	34.5	34.5	IGA2M321BRNK2	IGA2M321NPNK2
32L	M32	20.0 - 25.8	32.0	15.0	38.8	38.0	IGA2M322BRNK2	IGA2M322NPNK2
40S	M40	23.5 - 29.0	40.0	20.0	42.5	42.5	IGA2M401BRNK2	IGA2M401NPNK2
40L	M40	26.0 - 32.5	40.0	20.0	45.5	45.5	IGA2M402BRNK2	IGA2M402NPNK2
50S	M50	32.0 - 39.0	50.0	20.0	55.5	55.5	IGA2M501BRNK2	IGA2M501NPNK2
50L	M50	37.0 - 43.5	50.0	20.0	61.5	61.5	IGA2M502BRNK2	IGA2M502NPNK2
63S	M63	43.5 - 49.5	63.0	20.0	65.5	61.5	IGA2M631BRNK2	IGA2M631NPNK2
63L	M63	49.5 - 55.5	63.0	20.0	71.5	65.5	IGA2M632BRNK2	IGA2M632NPNK2
75S	M75	55.0 - 61.5	75.0	20.0	77.0	71.5	IGA2M751BRNK2	IGA2M751NPNK2
75L	M75	61.5 - 67.5	75.0	20.0	85.5	85.5	IGA2M752BRNK2	IGA2M752NPNK2
90L	M90	67.5 - 79.5	90.0	20.0	100.0	100.0	IGA2M902BRNK2	IGA2M902NPNK2

\* Sizes above 2" NPT will be supplied as an equivalent metric gland and appropriate metric to NPT adaptor.

All dimensions in mm.

### IGA2 with NPT Thread

Gland Size	Thread Size	Diameter Min - Max (A)	Diameter (B)	Length (C)	Across Flats (E)	Across Flats (F)	Catalog number	
20S	1/2"	8.0 - 11.4	20.0	15.0	22.0	22.0	IGA2N501BRNK2	IGA2N501NPNK2
20L	1/2"	11.0 - 13.8	20.0	15.0	24.0	24.0	IGA2N502BRNK2	IGA2N502NPNK2
25S	3/4"	12.5 - 17.5	25.0	15.0	27.0	27.0	IGA2N751BRNK2	IGA2N751NPNK2
25L	3/4"	17.0 - 19.8	25.0	15.0	29.3	29.0	IGA2N752BRNK2	IGA2N752NPNK2
32S	1"	18.0 - 22.8	32.0	15.0	34.5	34.5	IGA2N1001BRNK2	IGA2N1001NPNK2
32L	1"	20.0 - 25.8	32.0	15.0	38.8	38.0	IGA2N1002BRNK2	IGA2N1002NPNK2
40S	1" 1/4	23.5 - 29.0	40.0	20.0	42.5	42.5	IGA2N1251BRNK2	IGA2N1251NPNK2
40L	1" 1/4	26.0 - 32.5	40.0	20.0	45.5	45.5	IGA2N1252BRNK2	IGA2N1252NPNK2
50S	1" 1/2	32.0 - 39.0	50.0	20.0	55.5	55.5	IGA2N1501BRNK2	IGA2N1501NPNK2
50L	1" 1/2	37.0 - 43.5	50.0	20.0	61.5	61.5	IGA2N1502BRNK2	IGA2N1502NPNK2
63S	2"	43.5 - 49.5	63.0	20.0	65.5	61.5	IGA2N2001BRNK2	IGA2N2001NPNK2
63L	2"	49.5 - 55.5	63.0	20.0	71.5	65.5	IGA2N2002BRNK2	IGA2N2002NPNK2
75S	2" 1/2	55.0 - 61.5	75.0	20.0	77.0	71.5	IGA2N2501BRNK2	IGA2N2501NPNK2
75L	2" 1/2	61.5 - 67.5	75.0	20.0	85.5	85.5	IGA2N2502BRNK2	IGA2N2502NPNK2
90L	3"	67.5 - 79.5	90.0	20.0	100.0	100.0	IGA2N3002BRNK2	IGA2N3002NPNK2

\* Sizes above 2" NPT will be supplied as an equivalent metric gland and appropriate metric to NPT adaptor.

All dimensions in mm.