

# BV – for non-armoured & marine round cables

## Technical specifications

IP66



Suitable for the following cable types



**Non-armoured cable**  
Cable with insulated conductors, with no layer of mechanical (metallic) protection.



**Marine shipboard cable**  
Non-armoured cable designed specially for marine applications.



**Braided marine shipboard cable**  
Cable designed for marine applications.

**Certifications**  
MN 823 C

**Temperature range**  
-40 °C to +130 °C

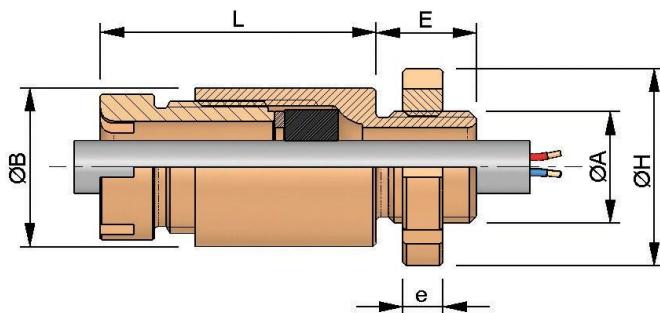
**Material**  
Natural brass



Perfectly adapted to industrial environments

Supplied with neoprene sealing ring and locknut

## Dimensions



Our range of BV cable glands is a specific French Navy cable management solution as per MN823C standards.

These IP66 tight cable glands allow the connection of non-armoured or marine cables without the coupling of the armour.

Made of natural brass, the BV cable glands accommodate a neoprene sealing and achieve an IP tightness on the outer sheath of the cable as well as a perfect tensile strength.

With an operating temperature range starting from -40°C up to +130°C, the BV range meets the requirement for cable entries management in marine environments.

## Ordering codes

Size	External Cable Diameter		Thread (A) / Pitch	Ø B	L	E	e	Ø H	Catalog Number
	Min	Max							
1	6.0	12.0	17.0 x 1.5	24.0	41.0	15.0	6.0	30.0	CAP500100
1 bis	2.0	8.0	17.0 x 1.5	24.0	41.0	15.0	6.0	30.0	CAP502100
2	8.5	14.5	20.0 x 1.5	27.0	44.0	15.0	6.0	33.0	CAP500200
3	13.5	19.0	24.0 x 1.5	32.0	44.0	15.0	6.0	38.0	CAP500300
4	16.5	22.6	28.0 x 1.5	36.0	57.0	15.0	6.0	42.0	CAP500400
5	22.0	28.0	35.0 x 1.5	42.0	57.0	15.0	7.0	48.0	CAP500500
5 bis	18.0	24.0	35.0 x 1.5	42.0	57.0	15.0	7.0	48.0	CAP502500
6	30.0	36.0	44.0 x 2.0	53.0	57.0	15.0	8.0	59.0	CAP500600
6 bis	25.0	31.0	44.0 x 2.0	53.0	57.0	15.0	8.0	59.0	CAP502600
7	36.5	42.5	50.0 x 2.0	59.0	57.0	15.0	8.0	65.0	CAP500700
7 bis	33.0	39.0	50.0 x 2.0	59.0	57.0	15.0	8.0	65.0	CAP502700

All dimensions in mm.