

BP – for non-armoured & marine round cables

Technical specifications

IP66



Suitable for the following cable types



Non-armoured cable

Cable with insulated conductors, with no layer of mechanical (metallic) protection.



Marine shipboard cable

Non-armoured cable designed specially for marine applications.



Braided marine shipboard cable

Cable designed for marine applications.

Certifications

MN 823 C

Temperature range

-20 °C to +100 °C

Material

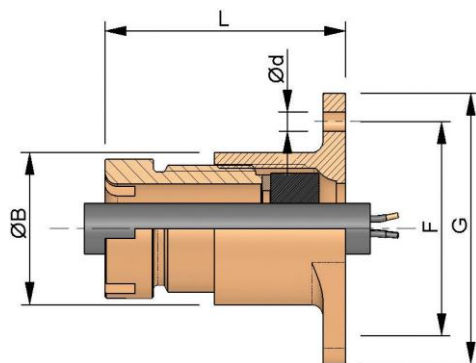
Natural bronze



Perfectly adapted to industrial environments

Supplied with rubber sealing ring

Dimensions



Our range of BP cable glands is a specific French Navy cable management solution as per MN823C standards.

These IP66 tight cable glands allow the connection of non-armoured or marine cables without the coupling of the armour and are specifically designed for bulkhead pass-through purposes.

Flange mounted and available in natural bronze, BP series are single seal cable glands.

With an operating temperature range starting from -20°C up to +100°C, the BP range meets the requirement for cable entries management in marine environments.

Ordering codes

Size	External Cable Diameter		Ø B	L	Ø D	F	G	Catalog Number
	Min	Max						
2	60.0	66.0	86.0	58.0	5.5	110.0	130.0	CAP521200
2 bis	54.0	60.0	86.0	58.0	5.5	110.0	130.0	CAP522200
2 ter	48.0	54.0	86.0	58.0	5.5	110.0	130.0	CAP523200
3	48.0	54.0	72.0	56.0	5.5	100.0	118.0	CAP521300
3 bis	42.0	48.0	72.0	56.0	5.5	100.0	118.0	CAP522300

All dimensions in mm.