

BB – for non-armoured & marine round cables

Technical specifications

IP66



Suitable for the following cable types



Non-armoured cable

Cable with insulated conductors, with no layer of mechanical (metallic) protection.



Marine shipboard cable

Non-armoured cable designed specially for marine applications.



Braided marine shipboard cable

Cable designed for marine applications.

Certifications

MN 823 C

Temperature range

-40 °C to +130 °C

Material

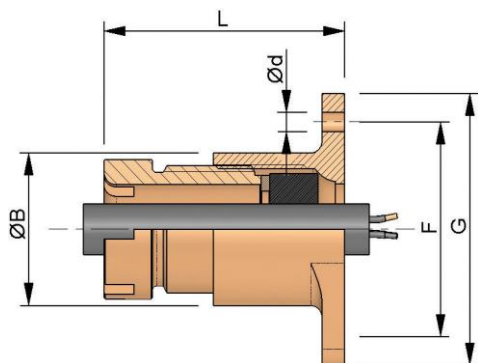
Natural bronze



Perfectly adapted to industrial environments

Supplied with neoprene sealing ring

Dimensions



Our range of BB cable glands is a specific French Navy cable management solution as per MN823C standards.

These IP66 tight cable glands allow the connection of non-armoured or marine cables without the coupling of the armour, and are specifically designed for bulkhead pass-through purposes.

Flange mounted and available in natural bronze, BB series are single seal cable glands.

With an operating temperature range starting from -40°C up to +130°C, the BB range meets the requirement for cable entries management in marine environments.

Ordering codes

Size	External Cable Diameter		Ø B	L	Ø D	F	G	Catalog Number
	Min	Max						
1	6.0	12.0	24.0	41.0	5.5	41.0	53.0	CAP520100
1 bis	2.0	8.0	24.0	41.0	5.5	41.0	53.0	CAP522100
2	8.5	14.5	27.0	41.0	5.5	44.0	55.0	CAP520200
3	13.5	19.0	32.0	44.0	5.5	44.0	57.0	CAP520300
4	16.5	22.6	36.0	44.0	5.5	57.0	64.0	CAP520400
5	22.0	28.0	42.0	57.0	5.5	57.0	70.0	CAP520500
5 bis	18.0	24.0	42.0	57.0	5.5	57.0	70.0	CAP522500
6	30.0	36.0	55.0	57.0	6.5	57.0	84.0	CAP520600
6 bis	25.0	31.0	60.0	57.0	6.5	57.0	84.0	CAP522600
7	36.5	42.5	75.0	57.0	6.5	57.0	92.0	CAP520700
7 bis	33.0	39.0	75.0	57.0	6.5	57.0	92.0	CAP522700

All dimensions in mm.