

ADFS - for rigid conduit

Hazardous area cable glands



Suitable for the following cable types:

- Non-armoured cable in rigid conduit
- Sealing ring and TSC compound provides 100% of cable clamping

Certifications and compliances

- **ATEX No. INERIS 12ATEX0032X**
Zones 1 and 2, Groups I, IIA, IIB and IIC
Zones 21 and 22, Groups IIIA, IIIB and IIIC
Ⓢ IIC / Ex db IIC / Ex eb IIC / Ex tb IIIC
Ⓢ IIC Ex nRc IIC
Ⓢ IM2 / Ex db I / Ex eb I
- **IECEX No. IECEX INE 12.0025X**
Zones 1 and 2, Groups I, IIA, IIB and IIC
Zones 21 and 22, Groups IIIA, IIIB and IIIC
Ex db IIC / Ex eb IIC / Ex nRc IIC / Ex tb IIIC
Ex db I / Ex eb I

Other certificates:

INMETRO: NCC 19.0065X

NANIO TC-RU C-FR. FM43.B.01003

NEPSI GYJ18.1100X

SABS MS/ 18 0208 X

Shipping applications:

ABS 14-HS1274083-PDA

BV 40910/A1 BV

DNV TAE000010X

Lloyds 11/00072

DTS-01:1991

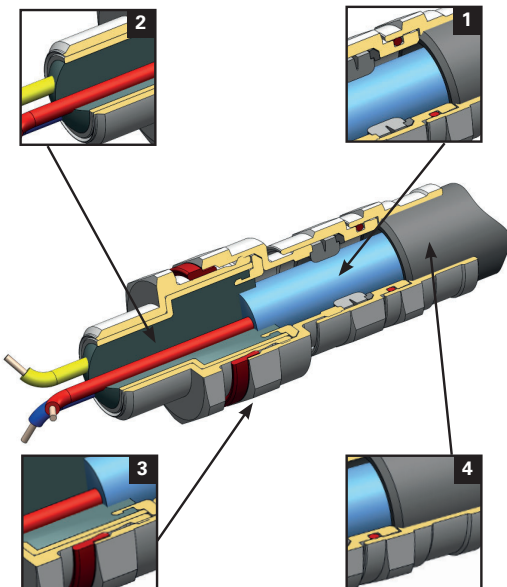


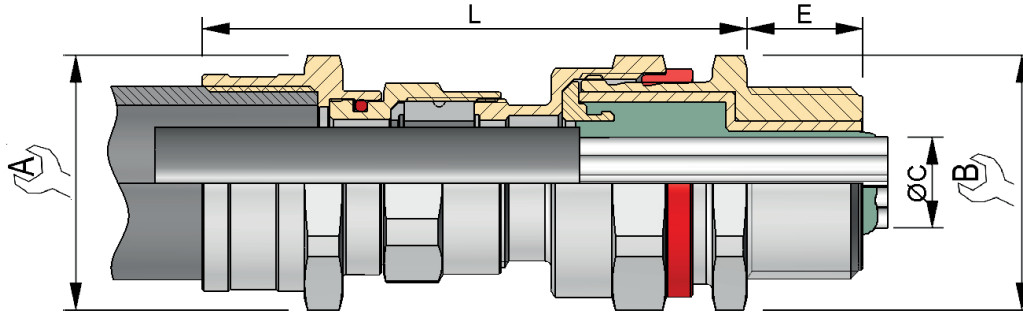
Technical specification

- Nickel plated brass for superior corrosion resistance. 316L stainless steel options available. It is recommended that a suitable lubricant is used on all threads of stainless steel versions.
- Temperature range:
-60 °C to +80 °C
- IP66 / IP68 according to the method of attachment and the condition of the equipment area, see page 2.5
- Equipped with a 'deluge' seal.

Features and benefits

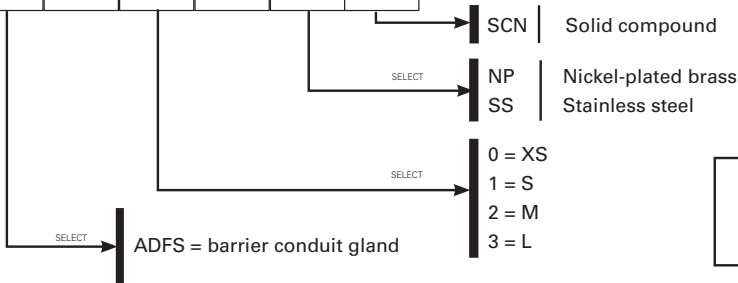
- 1: Specifically formulated elastomer for IP sealing on outer sheath of cable
- 2: Sealing of cable conductors with compound barrier seal
- 3: Deluge seal provides enhanced ingress protection
- 4: Swivel connection providing easy installation for rigid conduit





For 'across corners' dimensions, multiply 'across flats' dimensions by 1.1

SERIES	THREAD SIZE MALE	CABLE SEALING RANGE	THREAD SIZE FEMALE	MATERIAL	BARRIER
ADFS	M25	3	M25	NP	SCN



Code example: **ADFSM253M25NPSCN**
 cable gland ADFS in nickel-plated brass, male M25 x female M25, sealing range n°3

SERIES	MALE THREAD SIZE (ISO)		MALE THREAD SIZE (NPT)		CABLE SEALING RANGE	CABLE SEALING RANGE ISO (NPT)		FEMALE THREAD SIZE	C=Ø MAX OVER CORES	MAX NO. OF CORES	DIMENSIONS		
	THREAD SIZE	THREAD SIZE CODE	THREAD SIZE	THREAD SIZE CODE		MIN - MAX	ISO				NPT	A	B
ADFS	20	M20	1/2"	N050	1	4.0 - 8.0	M20	N050	6.5	6	24	24	4
ADFS	20	M20	1/2"	N050	2	6.0 - 12.0	M20	N050	9.5	6	24	24	5
ADFS	20	M20	1/2"	N050	3	8.5 - 16.0	M20	N050	12.0	10	30	30	6
ADFS	25	M25	3/4"	N075	2	8.5 - 16.0	M25	N075	12.0	10	30	30	6
ADFS	25	M25	3/4"	N075	3	12.0 - 21.0	M25	N075	17.0	21	41	41	7
ADFS	32	M32	1"	N100	2	12.0 - 21.0	M32	N100	17.0	21	41	41	7
ADFS	32	M32	1"	N100	3	16.0 - 27.5	M32	N100	23.0	42	48	48	8
ADFS	40	M40	1 1/4"	N125	2	16.0 - 27.5	M40	N125	23.0	42	48	48	8
ADFS	40	M40	1 1/4"	N125	3	21.0 - 34.0	M40	N125	29.0	60	55	55	9
ADFS	50	M50	1 1/2"	N150	1	21.0 - 34.0	M50	N150	29.0	60	55	55	9
ADFS	50	M50	--	--	2	27.0 - 41.0	M50	--	36.5	80	64	64	10
ADFS	63	M63	2"	N200	2	33.0 - 48.0	M63	N200	43.0	100	72	72	11
ADFS	63	M63	2"	N200	3	40.0 - 56.0	M63	N200	50.0	100	75	85	12
ADFS	--	--	2 1/2"	N250	2	40.0 - 56.0	M75	N250	50.0	100	85	85	12
ADFS	75	M75	2 1/2"	N250	3	46.0 - 65.0	M75	N250	59.0	120	95	95	13

All dimensions in mm.

ADFS sizes 13 and above are available upon request.