

ADE-1F2 O-ring - for non-armoured cable

Hazardous area cable glands



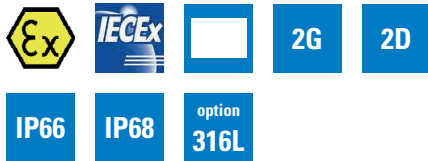
Suitable for the following cable types:

- Non-armoured cable
- Marine shipboard cable; Type P cable
- Tray cable: TC

Provides 25% of cable clamping. As per IEC60079 § A.2.3.2 for group II or III cable glands, "without a clamping device, additional clamping of the cable is needed to ensure that pulling & twisting is not transmitted to the terminations". We recommend using the certified ADE clamping module (page 2.29).

Certifications and compliances

- **ATEX No. INERIS 12ATEX0032X**
Zones 1 and 2, Groups IIA, IIB and IIC
Zones 21 and 22, Groups IIIA, IIIB and IIIC
⊕ II2GD / Ex db IIC / Ex eb IIC / Ex tb IIIC
⊕ II3G Ex nRc IIC
- **IECEX No. IECEX INE 12.0025X**
Zones 1 and 2, Groups IIA, IIB and IIC
Zones 21 and 22, Groups IIIA, IIIB and IIIC
Ex db IIC / Ex eb IIC / Ex nRc IIC / Ex tb IIIC



- **UL: 3DJN E310130 Class I Zone 1*, AEx e II**
⊕ ADE size 3 to 8, ISO 20 to 40 with non-armoured cable TC-ER-HL up to 1" diameter.
 - **UL: 3DJN E310130 Class I Zone 2*, AEx e II, Ex e II**
⊕ ADE size 3 to 17, ISO 20 to 110 with non-armoured cable ITC, MV, PLTC, TC-ER, TC-ER-HL, TC
 - **UL: 3LRC E314047 Class I Zone 2*, AEx e II, Ex e II**
⊕ ADE size 3 to 17, ISO 20 to 110 with non-armoured marine cable
- *Can be used in Div.2 provided that the enclosure contains no components that produce arcs or sparks.

Other certificates:

CEPEL 05.0558X
CCoE P360379-1
KOSHA 2015-BO-0245 to 0248
NANIO TC-RU C-FR.ГБ05.B.00858
NEPSI GYJ13.1082X
SABS MS/15-0314X

Shipping applications:

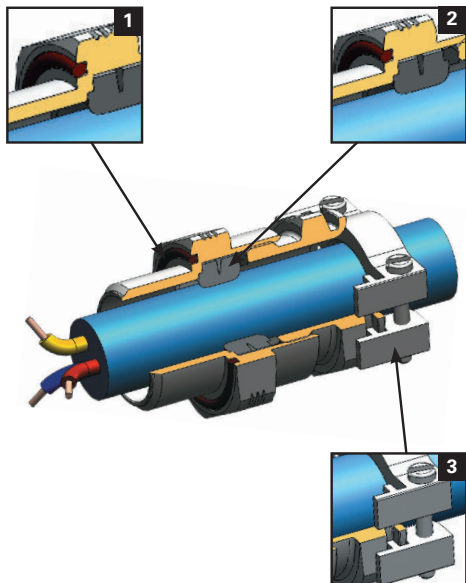
ABS 14-HS1274083-PDA
BV 40910/A0 BV
DNV TAE000010X
Lloyds 11/00072
DTS-01:1991

Technical specification

- Nickel-plated brass for superior corrosion resistance. 316L stainless steel option available. It is recommended that a suitable lubricant is used on all threads of stainless steel and aluminum versions.
- Temperature range: -60 °C to +140 °C
- IP66 / IP68 according to the method of attachment and the condition of the equipment area, see page 2.5

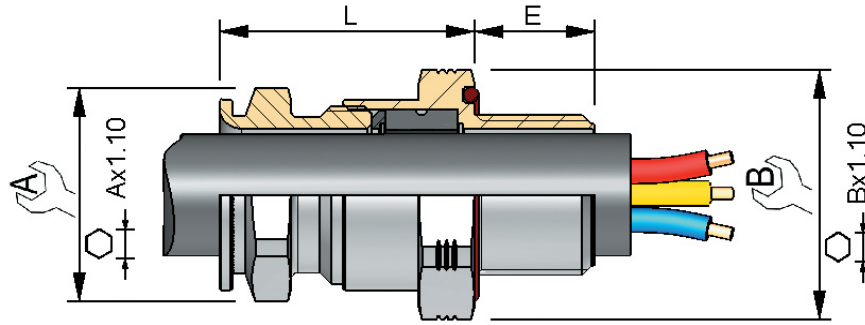
Features and benefits

- 1: Integrated O-ring eliminates need for externally fitted sealing washer.
- 2: Specifically formulated elastomer for IP sealing on outer sheath of cable.
- 3: Additional external cable clamping for strain relief (optional).



ADE-1F2 O-ring - for non-armoured cable

Hazardous area cable glands



* For 'across corners' dimensions, multiply 'across flats' dimensions by 1.1

** For 'E' see thread dimension page 5.18

SERIES	THREAD SIZE	CABLE SEALING RANGE	MATERIAL	OPTION
ADE10	M25	3	NPN	

0 = XS
1 = S
2 = M
3 = L

CODES	
BLANK	No option
NPN	Nickel-plated brass
SSN	Stainless steel

KIT OPTIONS	
K1	Kit 1 contents: • Locknut • Green composite washer
K2	Kit 2 contents: • Locknut • Green composite washer • Earth tag • Shroud
K3	Kit 3 contents: • Locknut • Green composite washer • Earth tag • Serrated washer

Ordering codes

SERIES	THREAD SIZE (ISO)	THREAD SIZE CODE (ISO)	CABLE SEALING RANGE	CABLE SEALING RANGE ISO OUTER SHEATH MIN - MAX	A	B	L	ADE GLAND SIZE	CATALOG NUMBER (ISO)
ADE10	20	M20	0	2.8 - 5.5	15	28	39.0	3	ADE10M200NPN
ADE10	20	M20	1	4.5 - 8.5	17	28	40.0	4	ADE10M201NPN
ADE10	20	M20	2	7.0 - 12.0	19	28	40.0	5	ADE10M202NPN
ADE10	20	M20	3	10.0 - 16.0	24	28	47.0	6	ADE10M203NPN
ADE10	25	M25	1	7.0 - 12.0	19	34	42.5	5	ADE10M251NPN
ADE10	25	M25	2	10.0 - 16.0	24	34	47.0	6	ADE10M252NPN
ADE10	25	M25	3	13.5 - 20.5	30	34	51.5	7	ADE10M253NPN
ADE10	32	M32	2	13.5 - 21.0	30	41	61.0	7	ADE10M322NPN
ADE10	32	M32	3	18.0 - 27.5	41	41	61.0	8	ADE10M323NPN
ADE10	40	M40	2	18.0 - 27.5	41	48	65.0	8	ADE10M402NPN
ADE10	40	M40	3	23.0 - 34.0	48	48	65.0	9	ADE10M403NPN
ADE10	50	M50	0	23.0 - 34.0	48	58	68.0	9	ADE10M500NPN
ADE10	50	M50	1	29.0 - 41.0	55	58	68.0	10	ADE10M501NPN
ADE10	50	M50	2	35.0 - 45.0	64	64	72.5	11	ADE10M502NPN
ADE10	63	M63	2	35.0 - 45.0	64	72	77.0	11	ADE10M632NPN
ADE10	63	M63	3	42.0 - 56.0	72	72	77.0	12	ADE10M633NPN